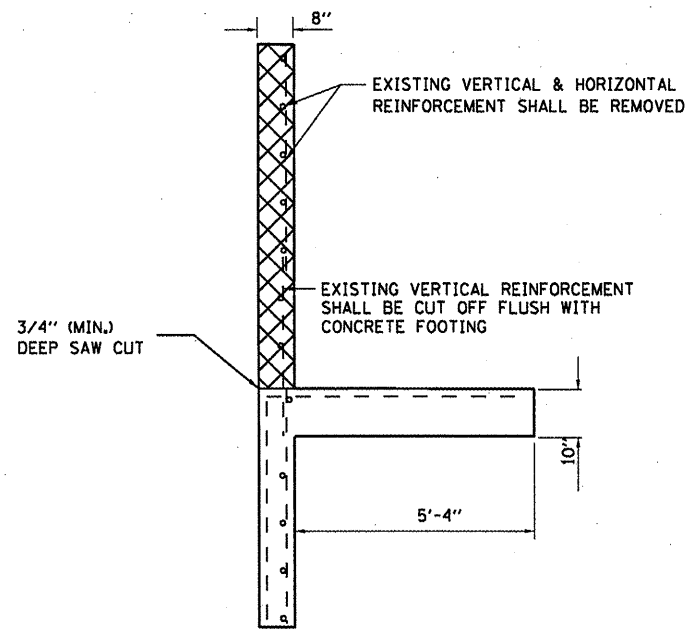
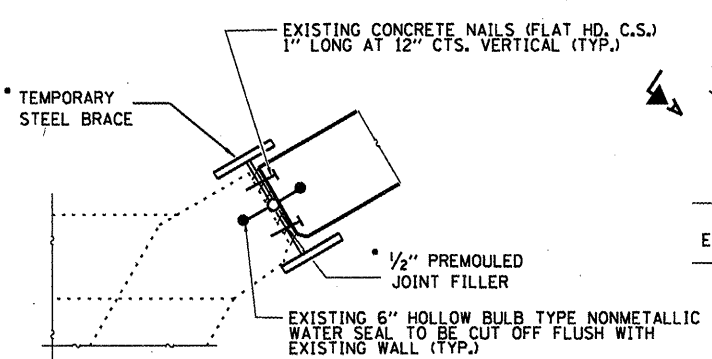


**ELEVATION**

**CONCRETE REMOVAL**

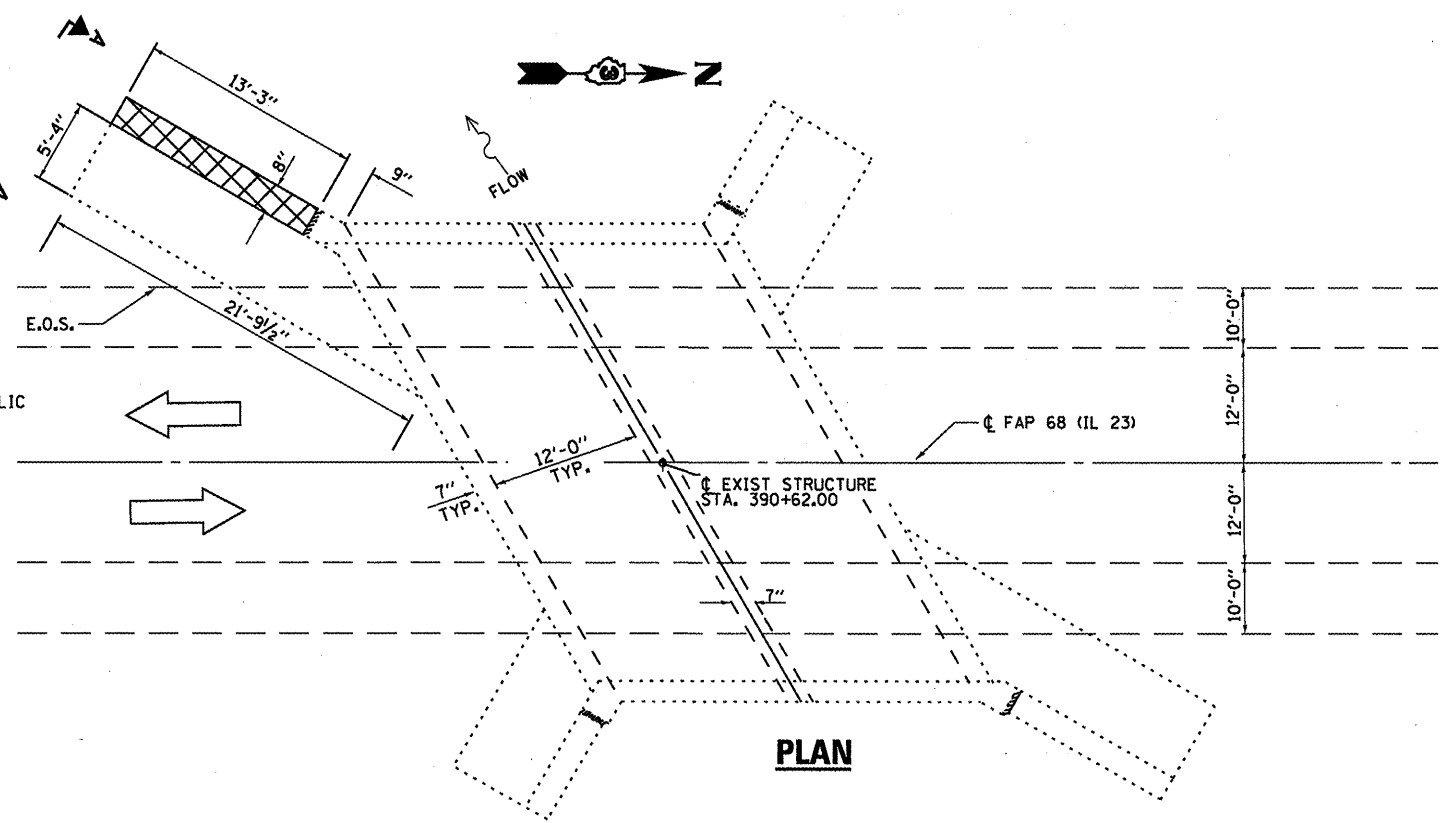


**SECTION A-A**



**CORNER DETAIL**

REMOVAL TO BE INCLUDED IN THE COST OF "CONCRETE REMOVAL"



**PLAN**

**BILL OF MATERIAL**

ITEM	UNIT	TOTAL
CONCRETE REMOVAL	CU YD	2.1

FILE NAME =  
 c:\pwwork\pwwork\petelyj\d0266589\036642-sheets.dgn

USER NAME = petelyj  
 PLOT SCALE = 100.0000 / 1 in.  
 PLOT DATE = 12/27/2011

DESIGNED - YOGESH PATEL  
 DRAWN - YOGESH PATEL  
 CHECKED - RON WOODSHANK  
 DATE -

REVISED -  
 REVISED -  
 REVISED -  
 REVISED -

**STATE OF ILLINOIS  
 DEPARTMENT OF TRANSPORTATION**

**CONCRETE REMOVAL DETAILS  
 FOR LOCATION 2: SN 053-2013**  
 SCALE: SHEET NO. 4 OF 5 SHEETS STA. TO STA.

F.A.P. RTE. VAR.	SECTION	COUNTY	TOTAL SHEETS	SHEET NO.
	VARIOUS	VARIOUS	40	15
CONTRACT NO. 66B42				
ILLINOIS FED. AID PROJECT				