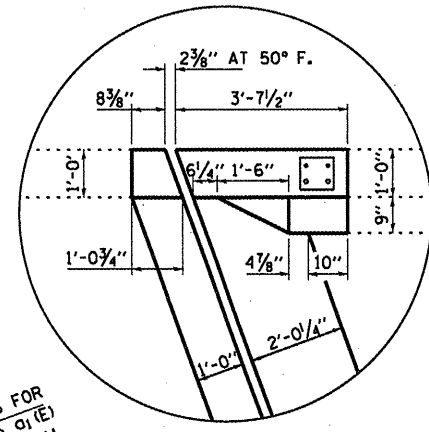
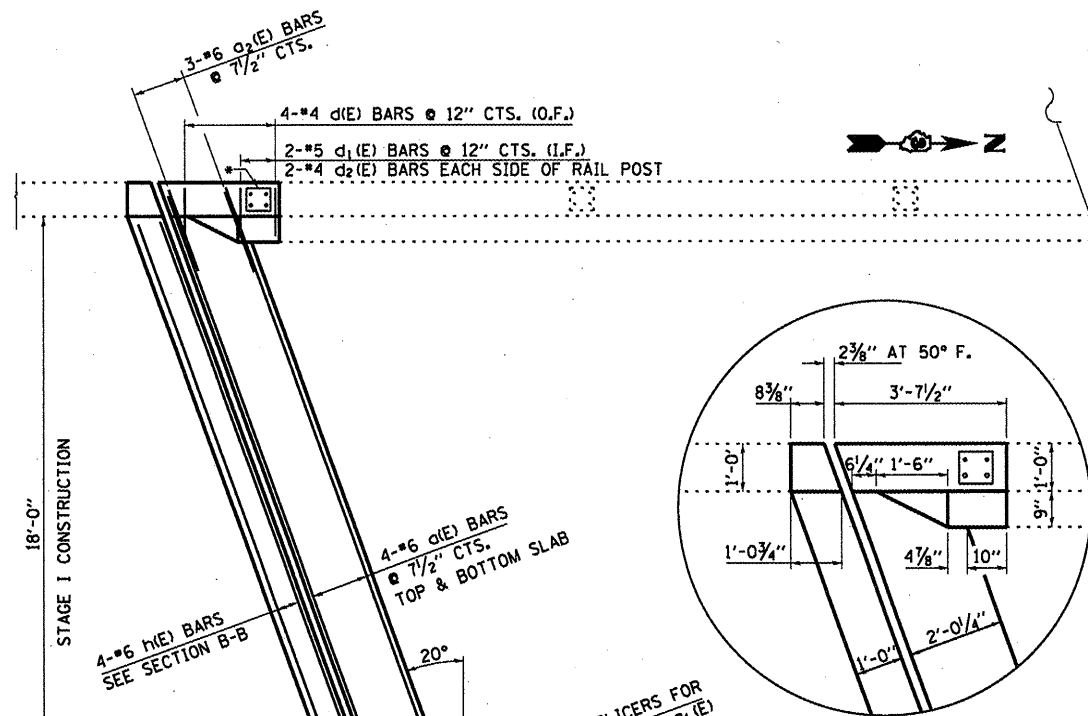
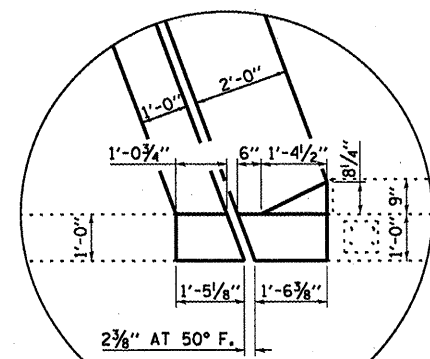


*SEE SHEET 4 OF 8 FOR RAIL POST DETAILS

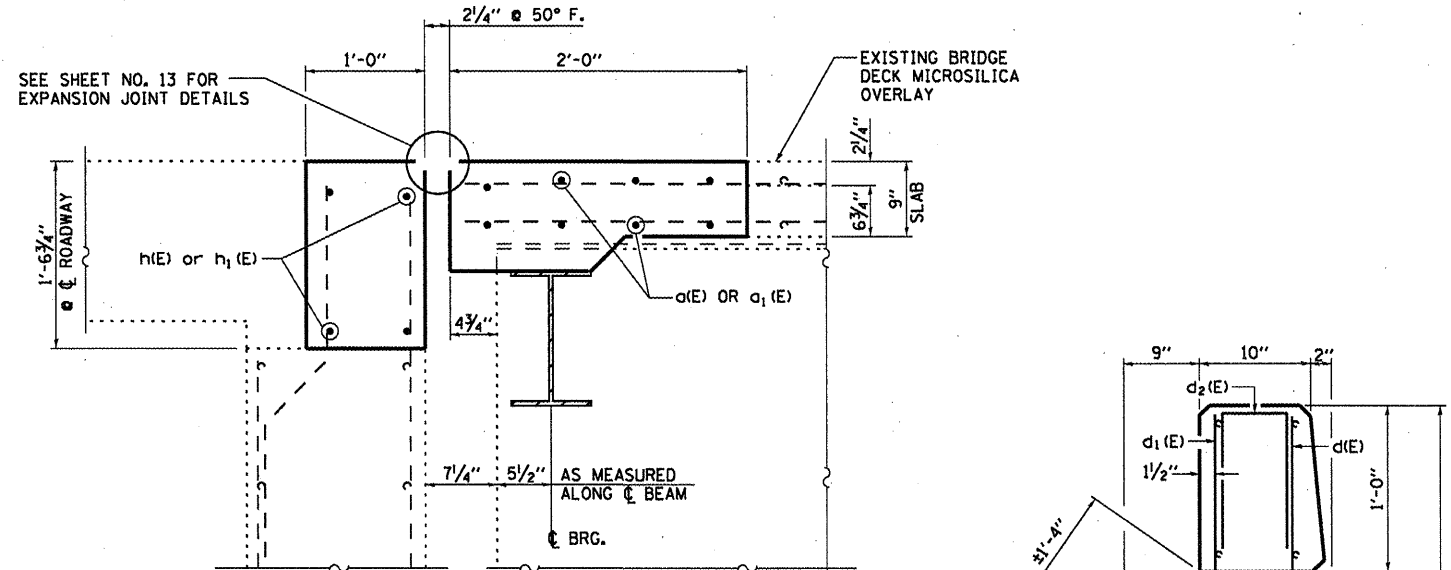


CORNER DETAIL
SHOWING DIMENSIONS

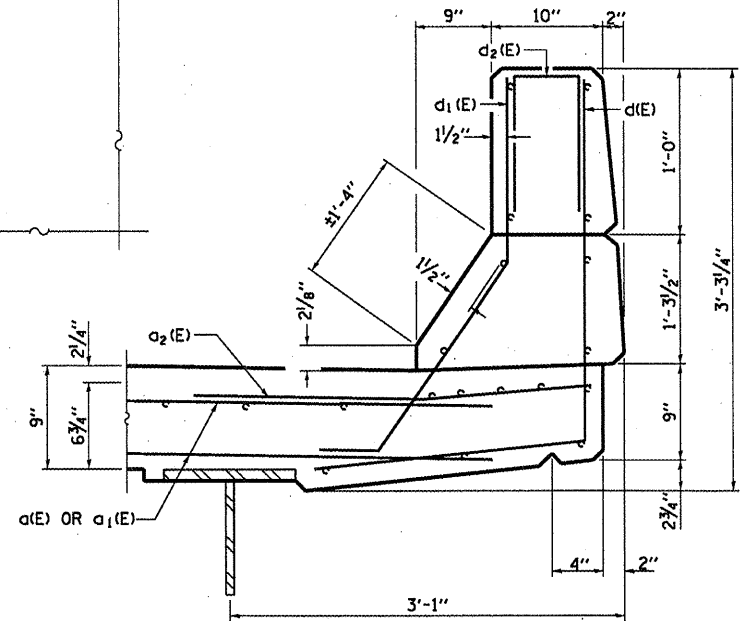


CORNER DETAIL
SHOWING DIMENSIONS

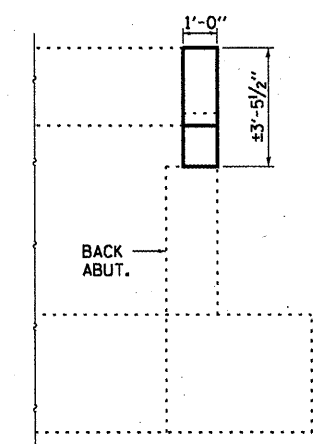
PARTIAL PLAN
SOUTH END SHOWN
NORTH END SIMILAR THRU 180° ROTATION



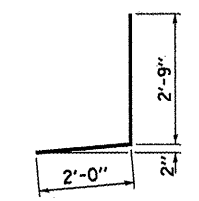
SECTION B-B
DIMENSIONS AT RT. ANGLES
UNLESS OTHERWISE NOTED



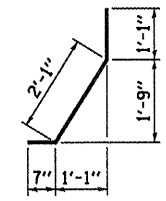
SECTION AT CURB
AT EXPANSION JOINT



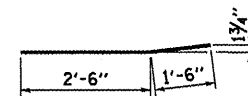
SECTION AT WING WALL
OUTSIDE FACE



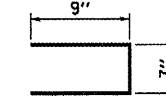
d(E) BAR



d1(E) BAR



a2(E) BAR



d2(E) BAR

BILL OF MATERIAL
FOR "ONE" EXPANSION JOINT

Bar	No.	Size	Length	Shape
a(E)	8	#6	19'-3"	—
a1(E)	8	#6	23'-6"	—
a2(E)	5	#6	4'-0"	—
d(E)	7	#4	4'-9"	┘
d1(E)	2	#5	3'-9"	┘
d2(E)	2	#4	2'-1"	┘
h(E)	4	#6	18'-11"	—
h1(E)	4	#6	23'-2"	—
Reinforcement Bars, Epoxy Coated			Pound	830
Concrete Removal			Cu. Yds.	5.9
Concrete Structure			Cu. Yds.	2.4
Concrete Superstructure			Cu. Yds.	3.5

FILE NAME =	USER NAME = petaluj	DESIGNED - RON WOODSHANK	REVISED -
ct:\pw\work\pwidot\petaluj\0268336\036848-aht-details.dgn		DRAWN - RON WOODSHANK	REVISED -
PLOT SCALE = 100.0000 / 1"		CHECKED - ADY	REVISED -
PLOT DATE = 12/22/2011		DATE -	REVISED -

STATE OF ILLINOIS
DEPARTMENT OF TRANSPORTATION

EXPANSION JOINT DETAILS - CONSTRUCTION
FOR SN 053-0128 & SN 053-0129

F.A.I. RTE.	SECTION	COUNTY	TOTAL SHEETS	SHEET NO.
55	(53-5B-1)I-2	LIVINGSTON	16	11
CONTRACT NO. 66B48				
ILLINOIS FED. AID PROJECT				

SCALE: SHEET NO. 3 OF 8 SHEETS STA. TO STA.