

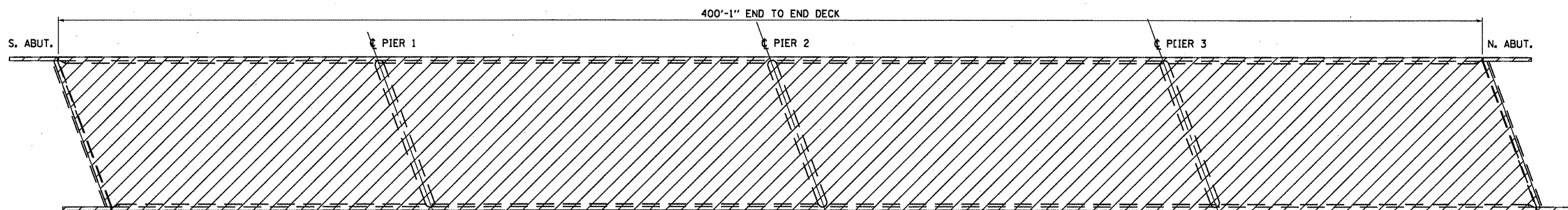
PLAN
SN 053-0128 SB



CONCRETE SEALER APPLICATION

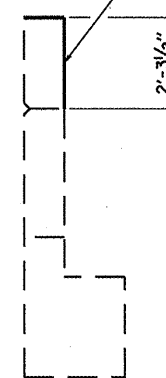


CL FAI 55 (I-55)

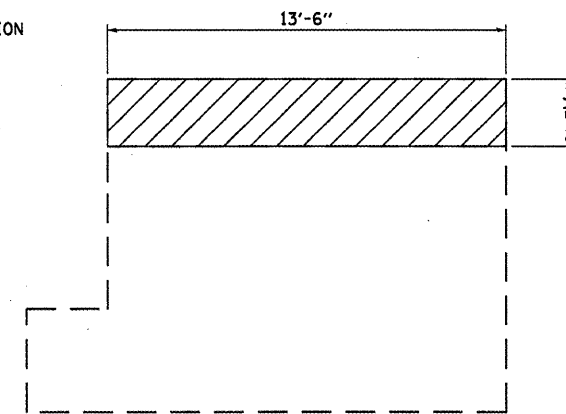


PLAN
SN 053-0129 NB

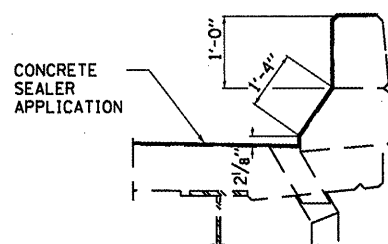
CONCRETE SEALER APPLICATION



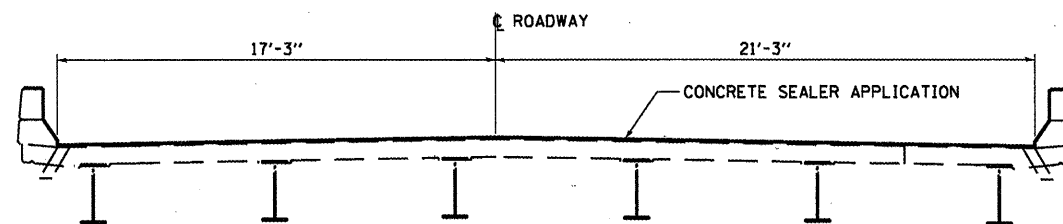
WING WALL SECTION



**WING WALL ELEVATION
INSIDE FACE**



CURB SECTION



SUPERSTRUCTURE CROSS SECTION

BILL OF MATERIAL
SN 053-0128

Item	Unit	Total
CONCRETE SEALER	SO FT	17569

BILL OF MATERIAL
SN 053-0129

Item	Unit	Total
CONCRETE SEALER	SO FT	17569

FILE NAME =	USER NAME = petelyj	DESIGNED - RON WOODSHANK	REVISED -
c:\pwork\pedit\petelyj\0268336\036648-shd-details.dgn		DRAWN - RON WOODSHANK	REVISED -
		CHECKED - ADY	REVISED -
		DATE -	REVISED -

**STATE OF ILLINOIS
DEPARTMENT OF TRANSPORTATION**

**CONCRETE SEALER DETAILS
FOR SN 053-128 & SN 053-0129**

SCALE: SHEET NO. 8 OF 8 SHEETS STA. TO STA.

F.A.I. RTE. 55	SECTION (53-5B-1)I-2	COUNTY LIVINGSTON	TOTAL SHEETS 16	SHEET NO. 16
CONTRACT NO. 66B48				ILLINOIS FED. AID PROJECT