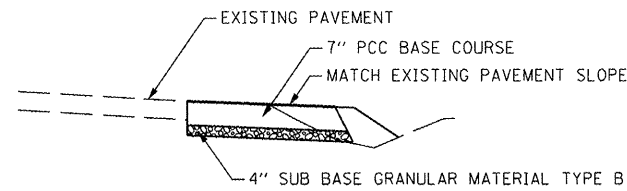
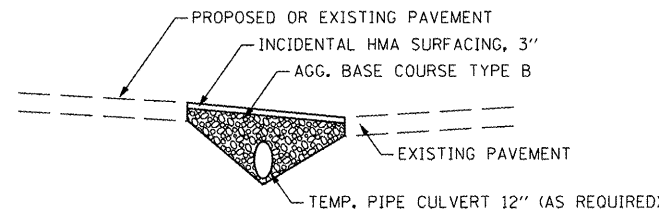


**TEMPORARY PAVEMENT DETAIL, HMA OPTION**  
NOT TO SCALE

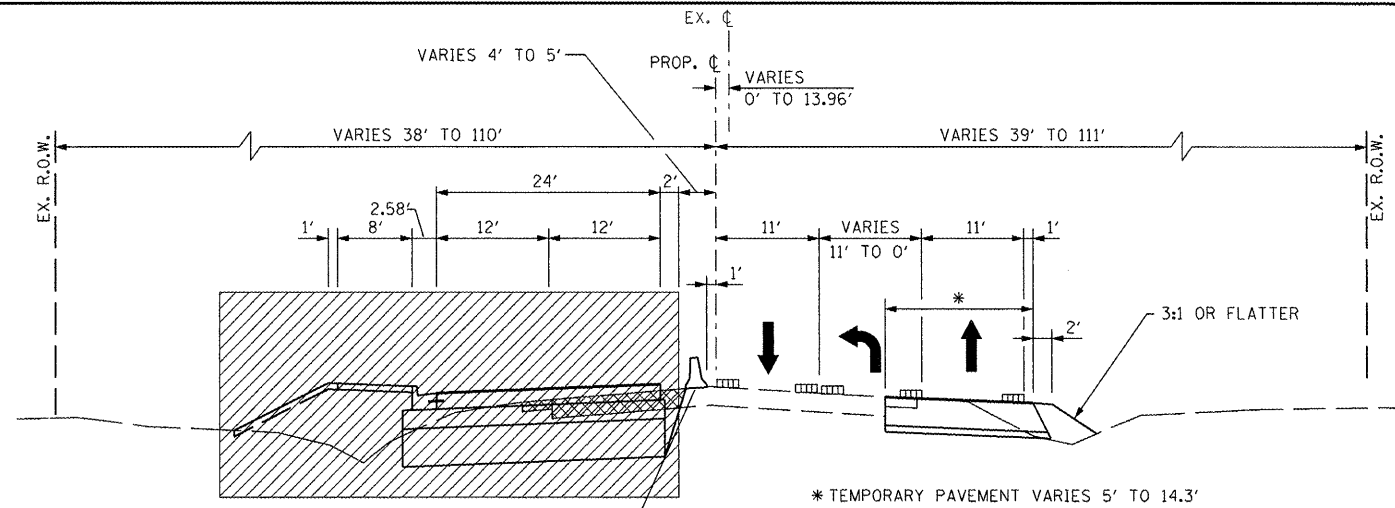


**TEMPORARY PAVEMENT DETAIL, PCC OPTION**  
NOT TO SCALE



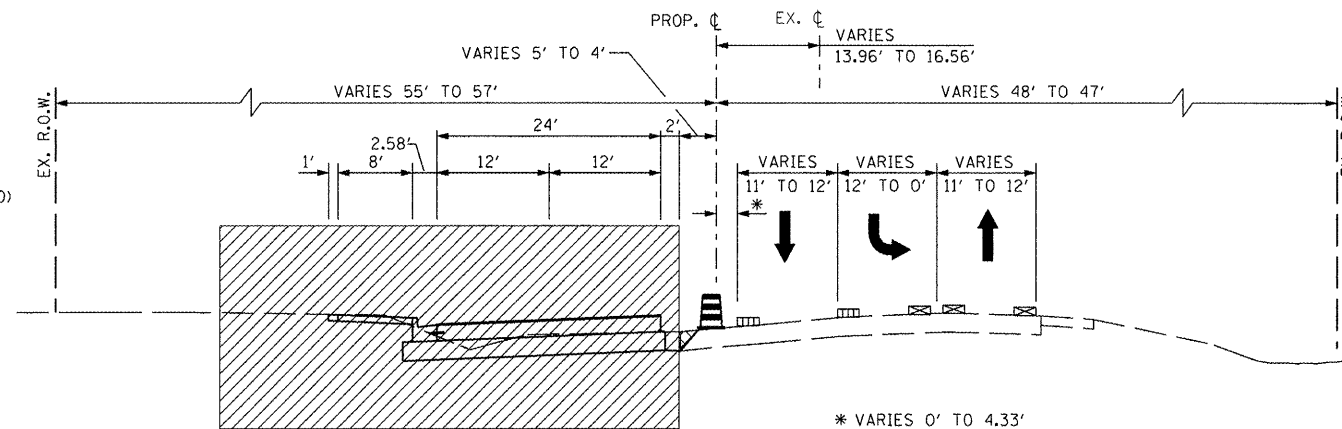
**TEMPORARY ACCESS TO SIDE STREETS**  
NOT TO SCALE

NOTE:  
SEE SHEET 31 FOR SCHEDULE

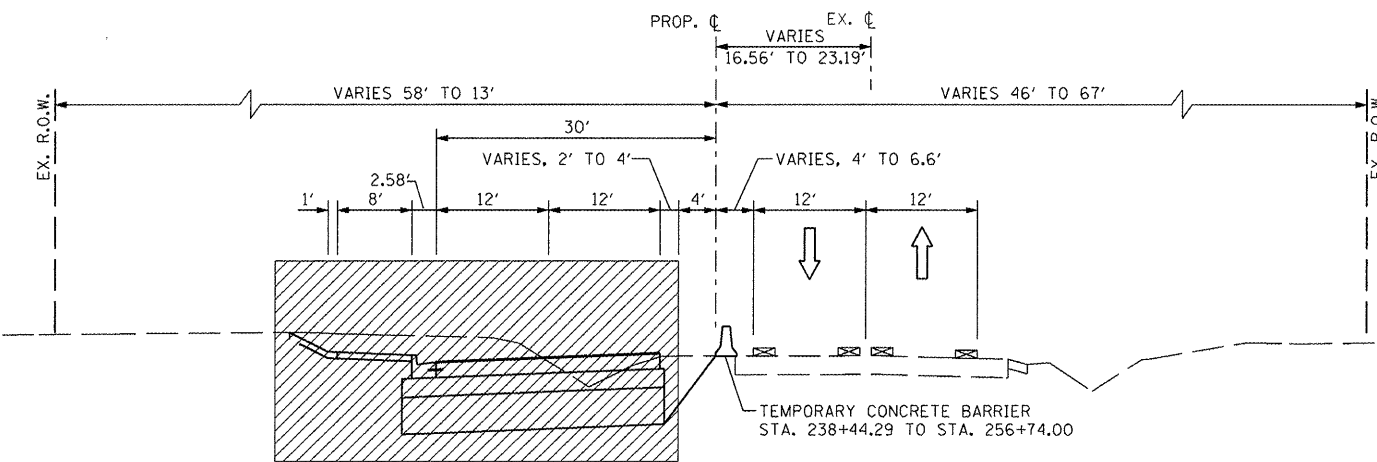


TEMPORARY CONCRETE BARRIER  
STA. 201+37.50 TO STA. 205+50.00  
STA. 222+00.00 TO STA. 226+50.00  
DRUMS WITH STEADY BURN LIGHTS  
STA. 205+50.00 TO STA. 222+00.00  
STA. 226+50.00 TO STA. 227+50.00

**MAINTENANCE OF TRAFFIC TYPICAL SECTION**  
STA. 201+11.96 TO STA. 227+50.00



**MAINTENANCE OF TRAFFIC TYPICAL SECTION**  
STA. 227+50.00 TO STA. 237+58.09



**MAINTENANCE OF TRAFFIC TYPICAL SECTION**  
STA. 237+58.09 TO STA. 266+30

**LEGEND**

- EXISTING PAVEMENT MARKING
- TEMPORARY PAVEMENT MARKING
- PROPOSED PAVEMENT MARKING
- DRUM, WITH STEADY BURNING LIGHT
- TEMPORARY CONCRETE BARRIER
- CONSTRUCTION THIS STAGE
- VERTICAL PANEL WITH STEADY BURNING LIGHT
- EXISTING TRAFFIC LANE IN USE
- TRAFFIC LANE

REMOVAL AND DISPOSAL OF UNSUITABLE MATERIAL *		
STATION RANGE	WIDTH	DEPTH BELOW SUB-GRADE
STA. 222+55.00 TO STA. 225+20.00	33.58' - 45.58' RT. TO 33.58' LT.	2.00'
STA. 238+10.00 TO STA. 240+27.00	33.58' RT. TO 33.58' LT.	2.00'
STA. 240+27.00 TO STA. 244+20.00	EX. LT. EOP TO 33.58' LT.	1.00'**
STA. 244+20.00 TO STA. 247+82.00	33.58' RT. TO 33.58' LT.	2.00'
STA. 247+82.00 TO STA. 253+72.00	EX. LT. EOP TO 33.58' LT.	0.67'**
STA. 253+72.00 TO STA. 259+77.00	33.58' RT. TO 33.58' LT.	2.00'**
STA. 259+77.00 TO STA. 260+95.00	41.17' RT. TO 41.17' LT.	2.00'

\* ALL EXCAVATED MATERIAL FROM THE NATURAL GROUND SURFACE TO DEPTH BELOW SUBGRADE AS SHOWN IS UNSUITABLE AND IS TO BE WASTED OFF SITE, WITH THE EXCEPTION OF TOPSOIL EXCAVATION.  
\*\* UNDERCUT AREA TO BE REPLACED WITH APPROVED EMBANKMENT MATERIAL OR AS APPROVED BY THE ENGINEER.

FILE NAME =  
x:\projects\200803566\dgn\04-Rte8-sht-5

USER NAME = I001  
aging-Typ-1-2.dgn  
PLOT SCALE = 20.624 FT / IN.  
PLOT DATE = 10/21/2011

DESIGNED -	REVISED -
DRAWN -	REVISED -
CHECKED -	REVISED -
DATE - 10-21-11	REVISED -

**STATE OF ILLINOIS**  
**DEPARTMENT OF TRANSPORTATION**

**FAP 399 (IL RTE. 8)**  
**MAINTENANCE OF TRAFFIC - TYPICAL SECTIONS - STAGE I**  
SCALE: AS SHOWN SHEET NO. OF SHEETS STA. TO STA.

F.A.P. RTE.	SECTION	COUNTY	TOTAL SHEETS	SHEET NO.
399	36 R-7	TAZEWELL	390	78
CONTRACT NO. 68370				
ILLINOIS FED. AID PROJECT				