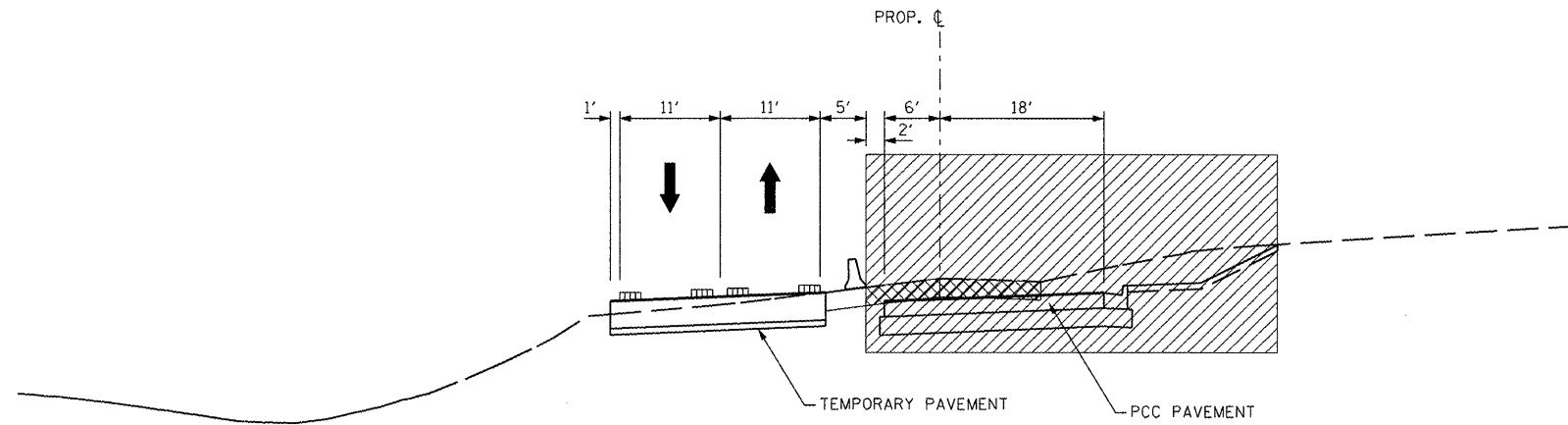
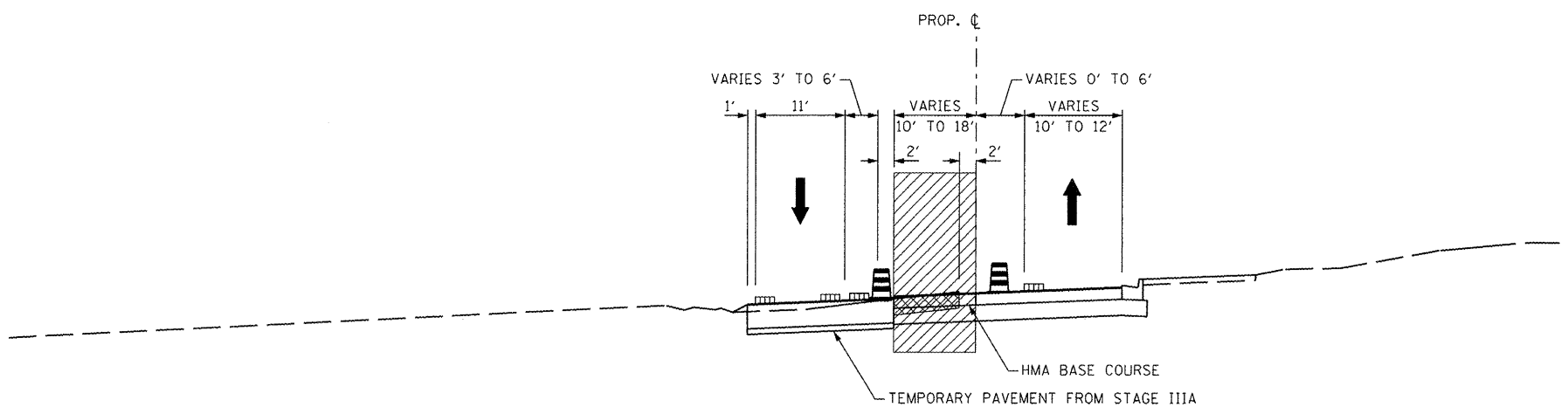


MAINTENANCE OF TRAFFIC TYPICAL SECTION – STAGE IIIA
 STA. 5+05.00 TO STA. 7+59.70



MAINTENANCE OF TRAFFIC TYPICAL SECTION – STAGE IIIA
 STA. 7+59.70 TO STA. 9+60.00



MAINTENANCE OF TRAFFIC TYPICAL SECTION – STAGE IIIB
 STA. 5+05.00 TO STA. 7+59.70

- LEGEND**
- ▨ EXISTING PAVEMENT MARKING
 - ▤ TEMPORARY PAVEMENT MARKING
 - ▬ PROPOSED PAVEMENT MARKING
 - ⊞ DRUM, WITH STEADY BURNING LIGHT
 - ⏏ TEMPORARY CONCRETE BARRIER
 - ▨ CONSTRUCTION THIS STAGE
 - ⏏ VERTICAL PANEL WITH STEADY BURNING LIGHT
 - ⇩ EXISTING TRAFFIC LANE IN USE
 - ⇩ TRAFFIC LANE

FILE NAME =	USER NAME = IDOT	DESIGNED -	REVISED -
x:\projects\200803566\dgn\04-Rte8-sht-S	aging-Typ-SSchool-1.dgn	DRAWN -	REVISED -
	PLOT SCALE = 20.624 FT / IN.	CHECKED -	REVISED -
	PLOT DATE = 10/21/2011	DATE = 10-21-11	REVISED -

**STATE OF ILLINOIS
 DEPARTMENT OF TRANSPORTATION**

**SOUTH SCHOOL STREET
 MAINTENANCE OF TRAFFIC – TYPICAL SECTIONS – STAGE III**

F.A.P. RTE.	SECTION	COUNTY	TOTAL SHEETS	SHEET NO.
399	36 R-7	TAZEWELL	390	88
CONTRACT NO. 68370			ILLINOIS FED. AID PROJECT	

SCALE: AS SHOWN SHEET NO. OF SHEETS STA. TO STA.