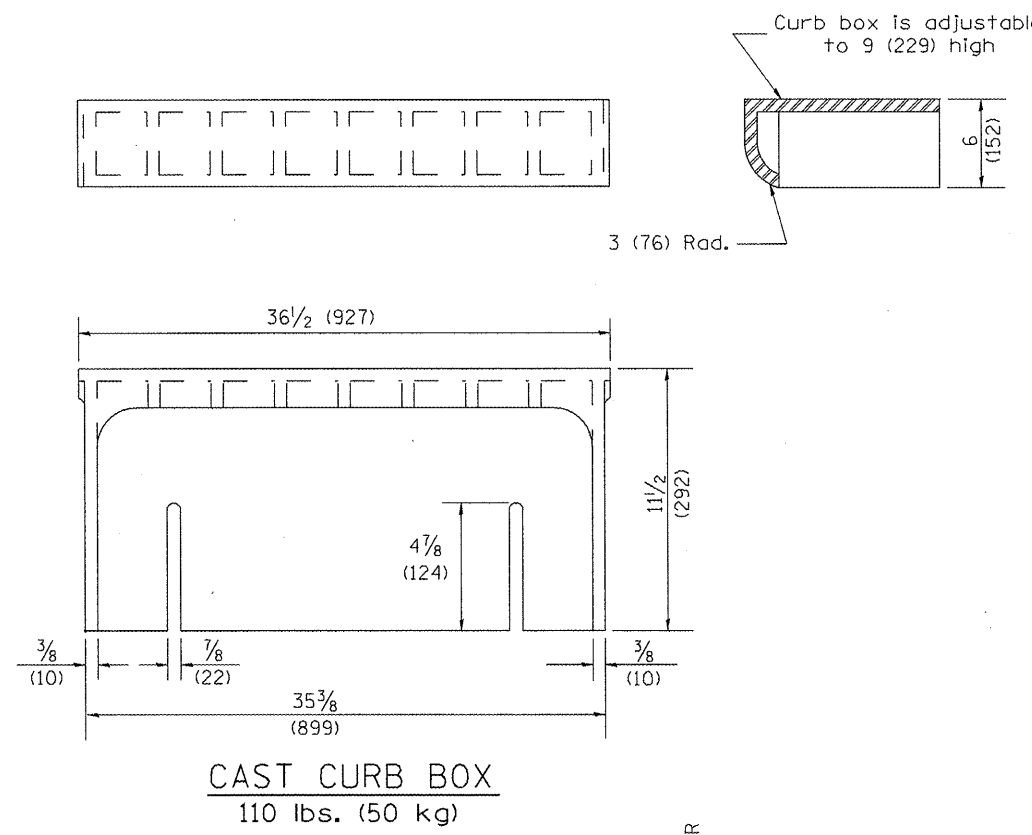
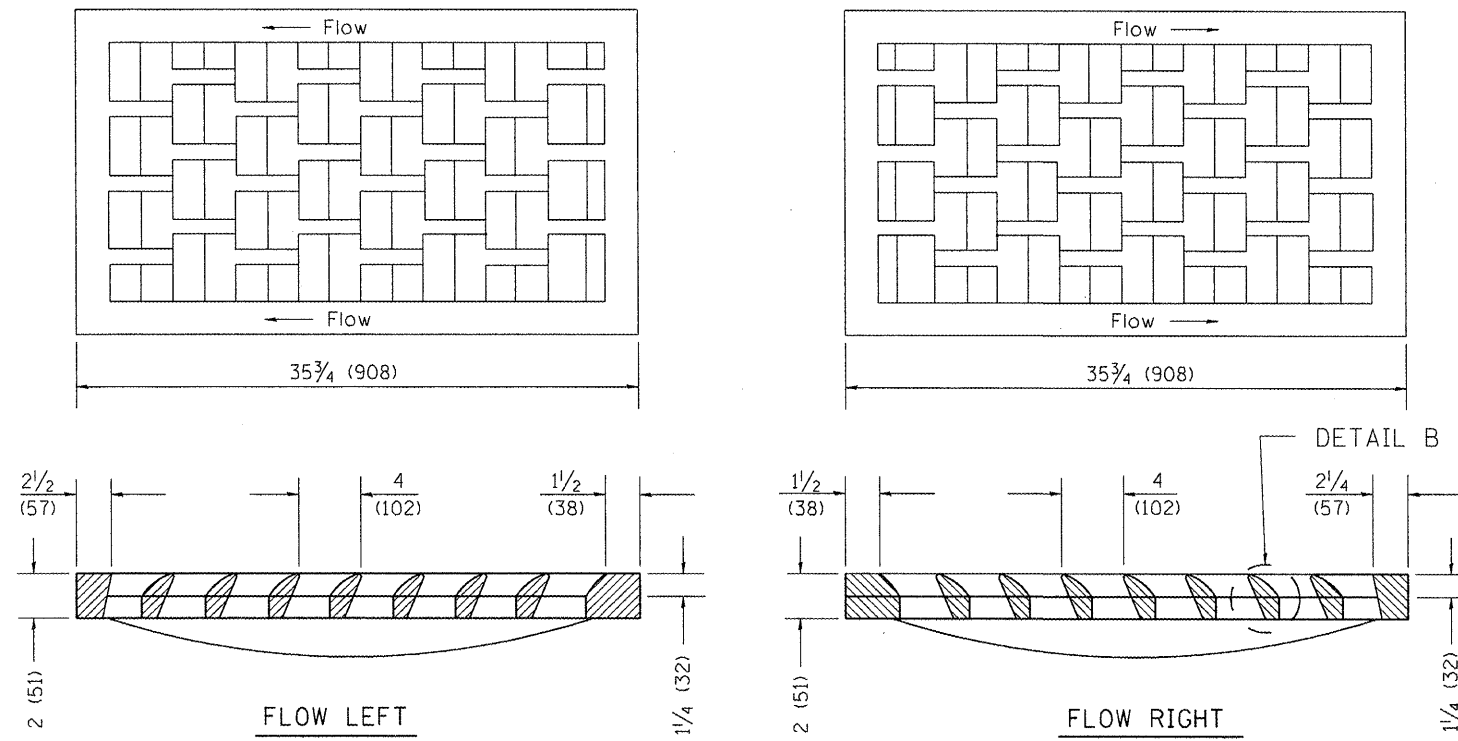


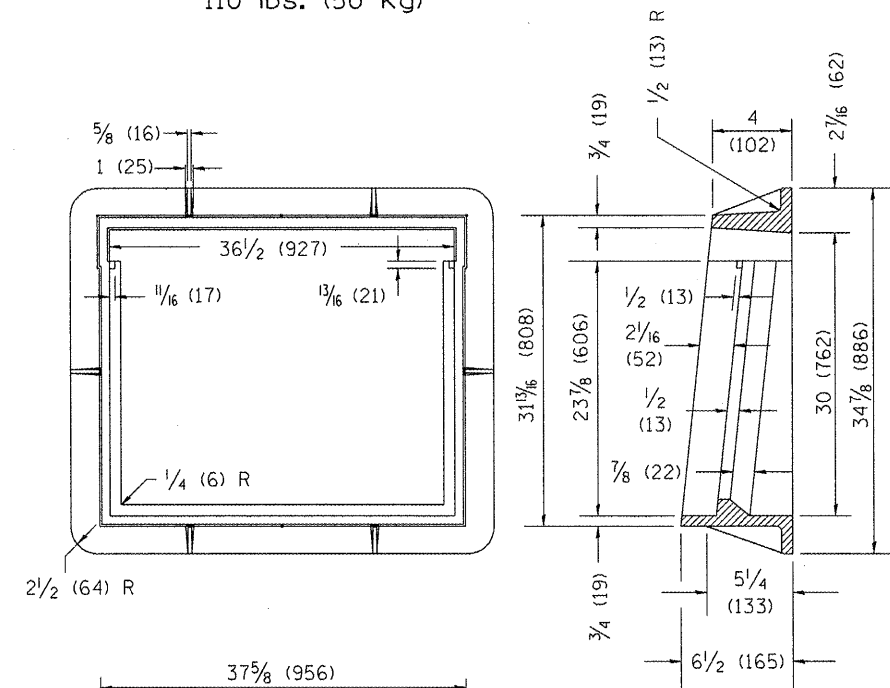
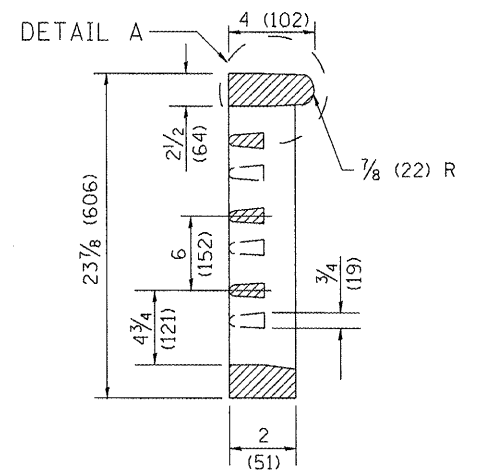
1. Specify grate types and flow directions in plans.  
 2. These castings are included in the cost of the drainage structures as per District Special Provision.  
 3. Inlet Frames: R-3246-A, Curb Box: R-3290  
 Reversible Diagonal Grates: R-3246-A  
 Vane Grates: R-3246-AL (flow left)  
 R-3246-AR (flow right)



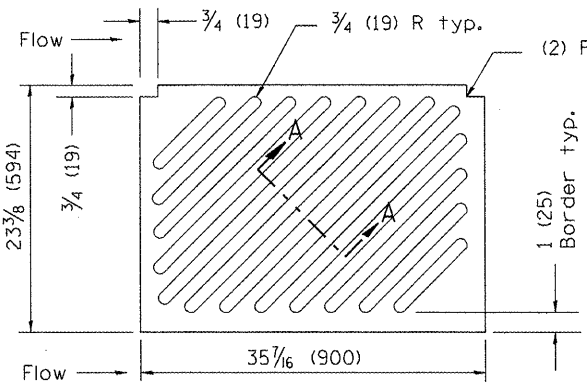
**CAST CURB BOX**  
110 lbs. (50 kg)



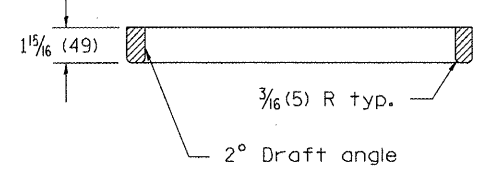
**CAST VANE GRATES**  
(SPECIFY LEFT OR RIGHT FLOW)  
230 lbs. (104 KG)



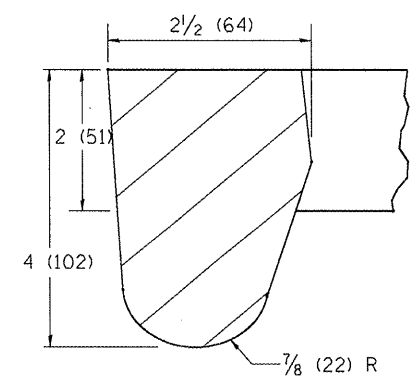
**CAST FRAME**  
271 lbs. (123 kg)



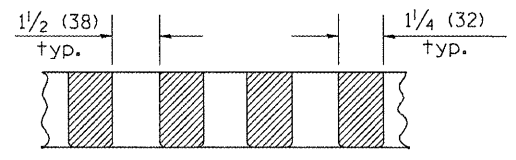
NOTE: Flow right shown



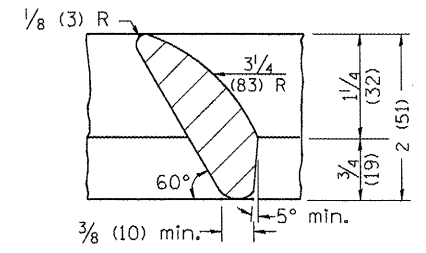
**CAST DIAGONAL GRATE**  
(Reversible for flow)  
217 lbs. (98 kg)



DETAIL A



SECTION A-A



DETAIL B

**GENERAL NOTES**

- The frame and grate shown on this drawing are for use with all TYPE G-1 and TYPE G-1, SPECIAL DRAINAGE STRUCTURES. See plans for grate type and flow direction.
- Flow direction: As viewed from street side.
- Material: cast gray iron.

All dimensions are in inches (millimeters) unless otherwise noted.

01-01-97	RENUM. B-10.01, NEW REVISION BOX	T.P.							
10-16-06	REVISED TO 2007 SPEC.	M.A.							
<b>STATE OF ILLINOIS DEPARTMENT OF TRANSPORTATION</b>					<b>FRAME &amp; GRATES FOR TYPE G-1 AND TYPE G-1, SPECIAL DRAINAGE STRUCTURES</b>				
NOT TO SCALE					CADD STD. 604001-D4				
F.A.P. RTE.	SECTION	COUNTY	TOTAL SHEETS	SHEET NO.					
399	36 R-7	TAZEWELL	390	297					
					CONTRACT NO. 68370				
					FED. ROAD DIST. NO. ILLINOIS FED. AID PROJECT				