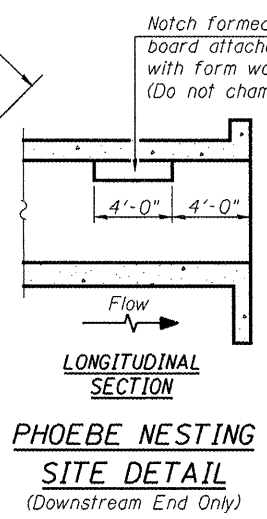
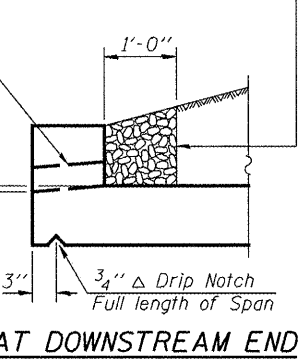
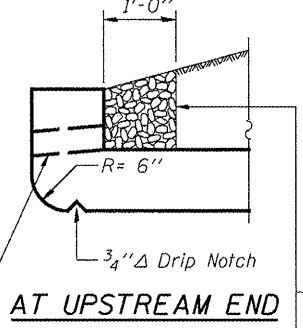


MINIMUM BAR LAP
 #4 bar = 2'-1"
 #5 bar = 2'-7"
 #6 bar = 3'-1"
 #7 bar = 4'-2"



Coarse aggregate full length of both headwalls. To be placed by Grading Contractor. Cost included with Concrete Box Culverts.

Notes:
 Reinforcement bars designated (E) shall be epoxy coated.
 Bars indicated thus 12x4-#5 etc. indicates 12 lines of bars with 4 lengths per line.

BILL OF MATERIAL

Bar	No.	Size	Length	Shape
a(E)	188	#8	26'-0"	U
a1(E)	188	#10	11'-0"	U
a2(E)	86	#4	8'-3"	U
d(E)	74	#4	5'-6"	U
h(E)	68	#6	24'-2"	U
h1(E)	80	#5	23'-11"	U
h2(E)	60	#7	24'-8"	U
h3(E)	10	#6	24'-0"	U
h4(E)	80	#4	14'-10"	U
h5(E)	68	#6	21'-8"	U
h6(E)	80	#5	21'-5"	U
h7(E)	60	#7	22'-2"	U
n(E)	68	#6	5'-10"	U
n1(E)	72	#5	4'-4"	U
l(E)	120	#5	7'-8"	U
v(E)	516	#4	10'-0"	U
v1(E)	516	#4	3'-3"	U
v2(E)	8	#5	10'-9"	U
v3(E)	8	#5	6'-0"	U
v4(E)	72	#5	5'-9"	U
v5(E)	24	#4	6'-8"	U
v6(E)	24	#4	8'-5"	U
v7(E)	24	#4	10'-2"	U
v8(E)	16	#4	13'-8"	U
w(E)	40	#5	14'-10"	U
Concrete Box Culverts		Cu. Yd.	259.4	
Reinforcement Bars, Epoxy Coated		Pound	46250	

DB-T-0 7-1-10 (Modified)

FILE NAME = ...V0782009-68571-005-BoxCulvert.dgn	USER NAME = DCD	DESIGNED - DCD	REVISED -
PLLOT SCALE =	PLLOT DATE = 12/09/2010 14:20:30	CHECKED - LKS	REVISED -
Johnson, Depp & Quisenberry CONSULTING ENGINEERS Springfield, Illinois		DRAWN - P. Ray	REVISED -
		CHECKED - DCD	REVISED -

STATE OF ILLINOIS DEPARTMENT OF TRANSPORTATION

BOX CULVERT DETAILS STRUCTURE NO. 078-2009 SHEET NO. 5 OF 8 SHEETS

F.A.P. RTE.	SECTION	COUNTY	TOTAL SHEETS	SHEET NO.
698	(2) BR-1 & BR-2	PITTMAN	71	36
	STA. 196+22		CONTRACT NO. 68571	
ILLINOIS FED. AID PROJECT				