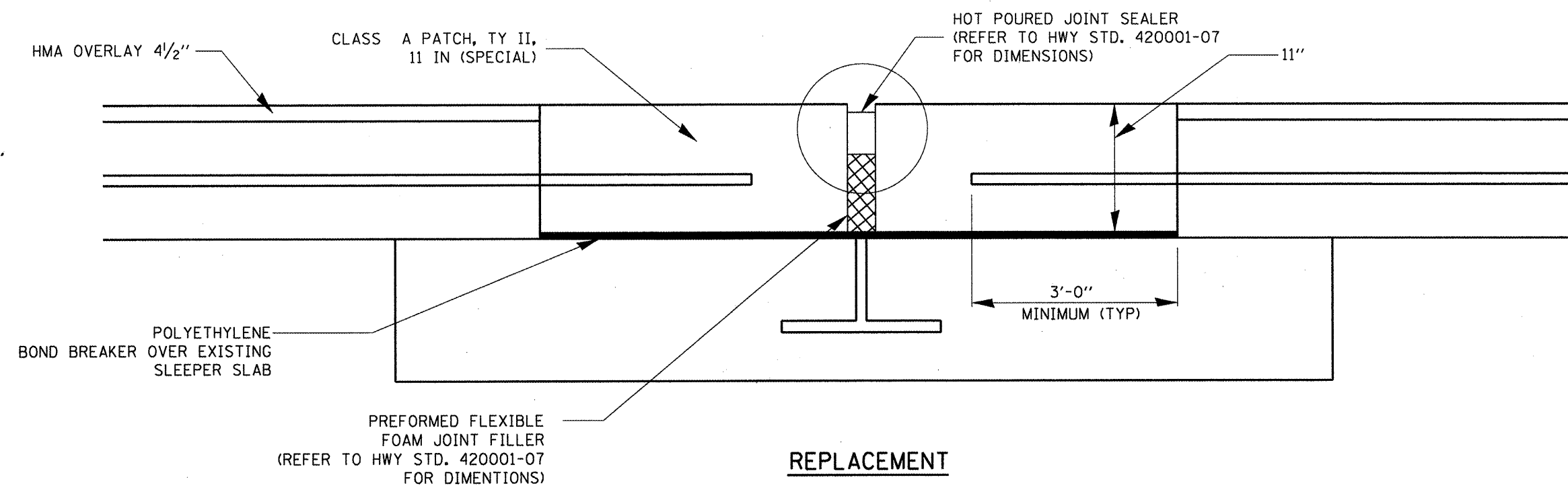


REMOVAL

GENERAL NOTES

1. ANY UNSOUND CONCRETE ON THE EXPOSED PORTION OF THE SLEEPER SLAB SHALL BE REMOVED AND REPLACED WITH A NON SHRINK GROUT PRIOR TO PLACEMENT OF THE POLYETHYLENE BOND BREAKER. THIS WORK WILL BE PAID FOR AS PER ARTICLE 109.04.
2. EXPANSION JOINT WILL NOT BE PAID FOR SEPARATELY BUT SHALL BE INCLUDED IN THE COST OF "CLASS A PATCHES, TYPE II, 11 INCH (SPECIAL)".
3. ALL WORK SHALL BE PERFORMED IN ACCORDANCE WITH THE SPECIAL PROVISIONS FOR, "CLASS A PATCHES, TYPE II, 11 INCH (SPECIAL)".



REPLACEMENT

FILE NAME = D468914-1-155 Typical.dgn	USER NAME = Johnsonsv	DESIGNED -	REVISED -	STATE OF ILLINOIS DEPARTMENT OF TRANSPORTATION	WIDE FLANGE BEAM JOINT REMOVAL DETAIL			F.A.I. RTE.	SECTION	COUNTY	TOTAL SHEETS	SHEET NO.
		DRAWN -	REVISED -		NOT TO SCALE	SHEET 1	OF 1	SHEETS	STA.	TAZEWELL	92	74
		CHECKED -	REVISED -							CONTRACT NO. 68914		
		DATE -	REVISED -							ILLINOIS FED. AID PROJECT		