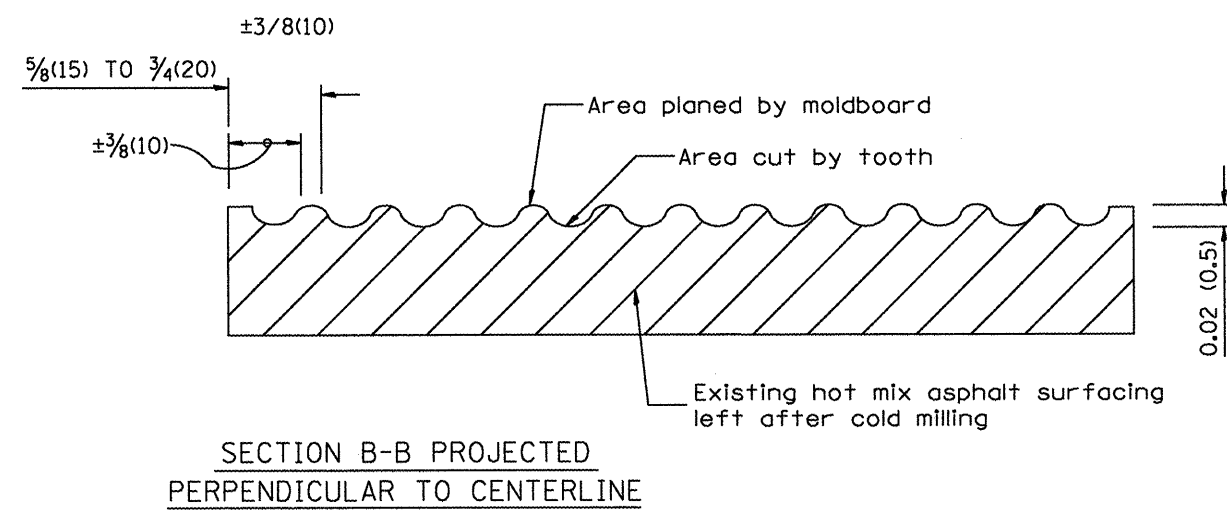
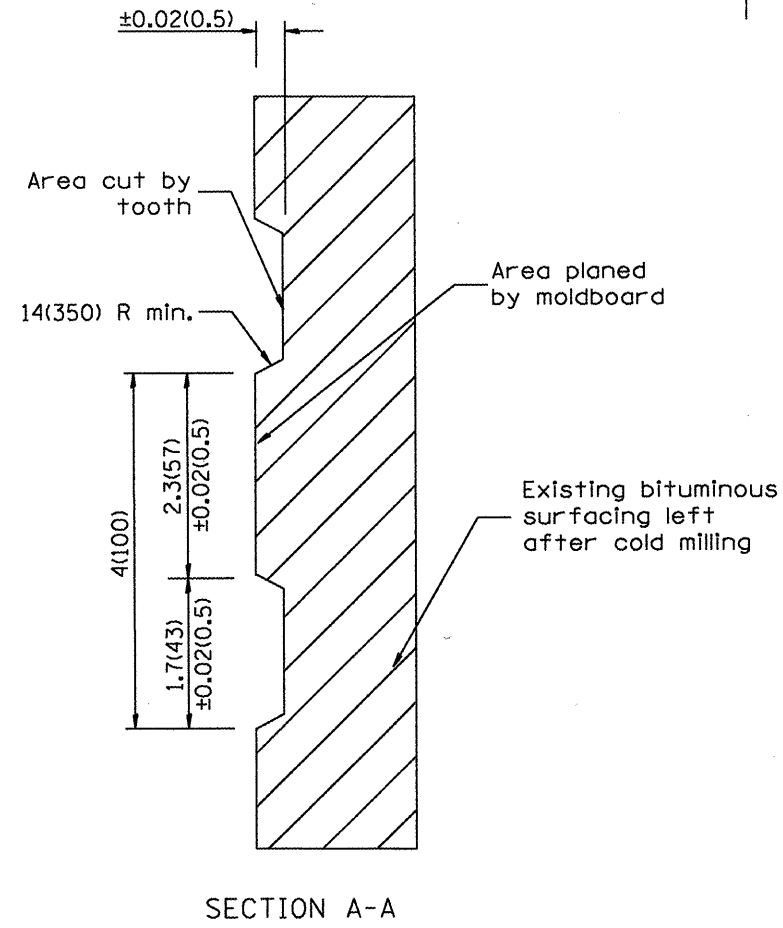


General notes:

1. Coldmilling shall consist of two processes: Cutting with carbide teeth mounted on a rotating drum, and planing with a moldboard mounted immediately behind the cutting drum.
2. Other similar patterns will be acceptable if they consist of a smooth, flat, planed surface interspersed with a pattern of discontinuous longitudinal striations.



SECTION A-A

SECTION B-B PROJECTED
PERPENDICULAR TO CENTERLINE

All dimensions are in inches (millimeters) unless otherwise noted.

01-01-97	RENUM. C-104.01. NEW REVISION BOX	T.P.
04-20-98	REMOVED MILLING DETAIL FROM STANDARD	J.A.
09-08-98	CORRECT NOTE LEADER PLACEMENT	R.W.
10-16-06	REVISED TO 2007 SPEC.	M.A.

STATE OF ILLINOIS
DEPARTMENT OF TRANSPORTATION

HOT MIX ASPHALT SURFACE REMOVAL (COLD MILLING)

NOT TO SCALE

CADD STD. 440001-D4

F.A.P. RTE.	SECTION	COUNTY	TOTAL SHEETS	SHEET NO.
155	90(108R5-4,107,106,106X1R5-2)	TAZEWELL	92	80
CONTRACT NO. 68914				
FED. ROAD DIST. NO. [ILLINOIS] FED. AID PROJECT				