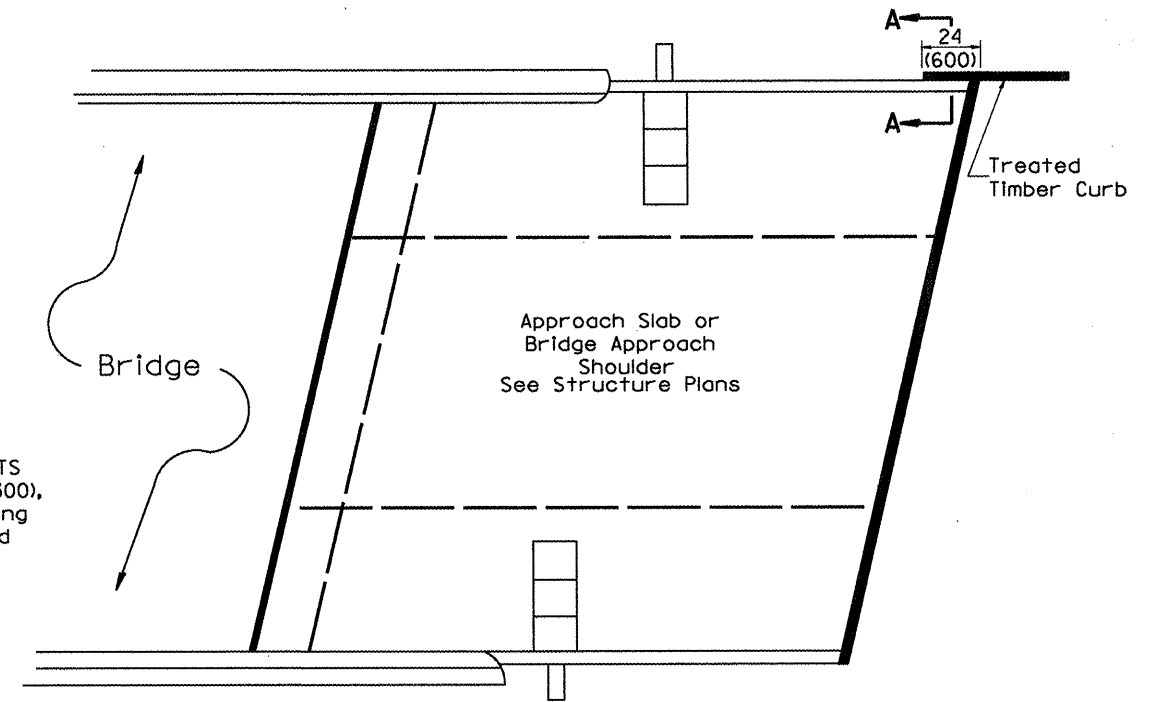
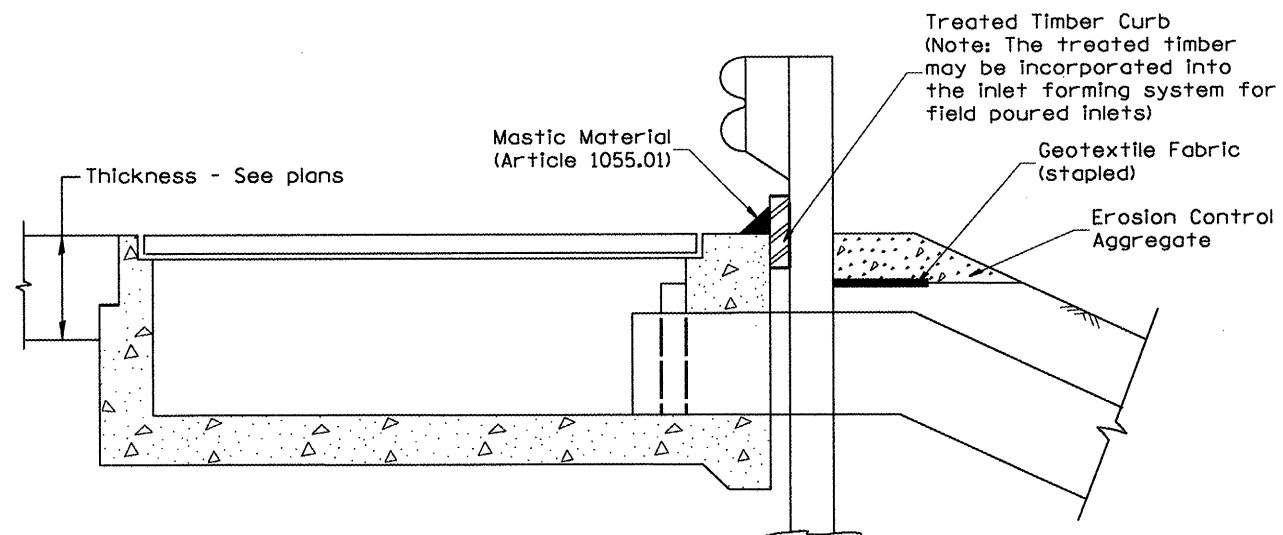


DETAIL A
(Typical Treated Timber Splices)

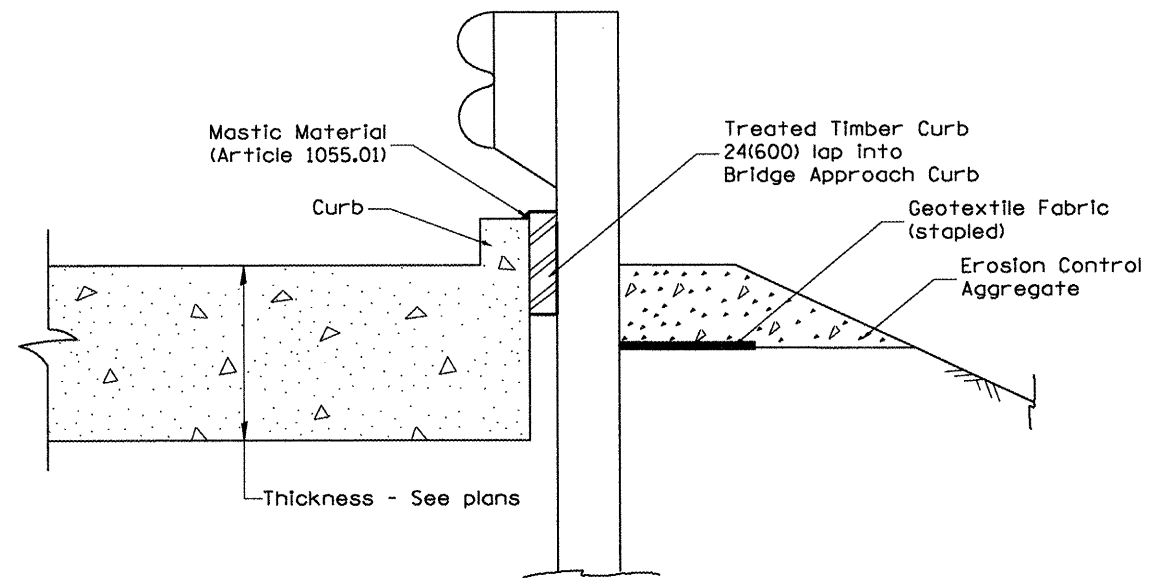
SPLICE LOCATED BETWEEN GUARDRAIL POSTS
treated timber splice plate 2x12 (50x300),
actual size 1 1/2 x 1 1/2 (40x290), 24(600) long
with 8 evenly spaced 1/2(M12) galvanized
bolts with nuts & washers.



PLAN VIEW
APPROACH SLAB OR BRIDGE APPROACH SHOULDER
(STANDARD 609001 or 609006)



TYPICAL SECTION WITH EROSION CONTROL CURB
AT INLETS TYPE E & F (STANDARD 610001)



SECTION A-A
TYPICAL SECTION WITH EROSION CONTROL CURB
AT BRIDGE APPROACH CURB
(STANDARD 609001 OR 609006)

All dimensions are in inches (millimeters)
unless otherwise noted.

STATE OF ILLINOIS DEPARTMENT OF TRANSPORTATION		GUARDRAIL EROSION CONTROL TREATMENTS		SHT. 2 OF 2 CADD STD. 630101-D4		F.A.P. RTE. 155		SECTION 90(108RS-4,(107,106,106XRS-2)		COUNTY TAZEWELL		TOTAL SHEETS 92		SHEET NO. 85	
NOT TO SCALE						CONTRACT NO. 68914						FED. ROAD DIST. NO.		ILLINOIS FED. AID PROJECT	