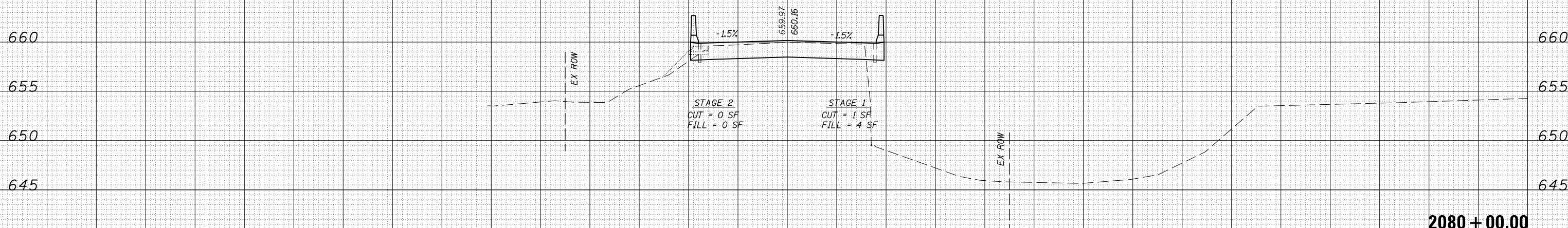
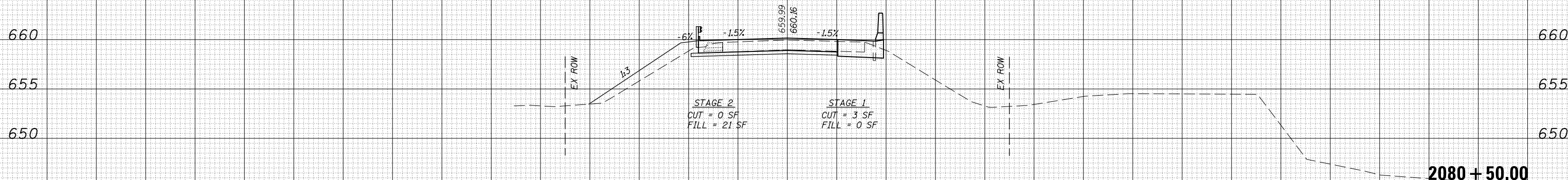
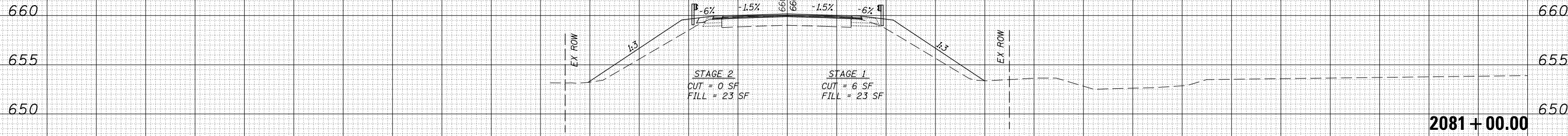


150 140 130 120 110 100 90 80 70 60 50 40 30 20 10 0 10 20 30 40 50 60 70 80 90 100 110 120 130 140 150

DATE	
BY	
FINISHED SURVEY	
PLOTTED TEMPLATE	
NOTE BOOK	
AREAS CHECKED	



DATE	
BY	
ORIGINAL SURVEY	
PLOTTED TEMPLATE	
NOTE BOOK	
AREAS CHECKED	

150 140 130 120 110 100 90 80 70 60 50 40 30 20 10 0 10 20 30 40 50 60 70 80 90 100 110 120 130 140 150

FILE NAME = c:\pw_work\pwidot\keysrb\d0270790\0570582.xsec.dgn

USER NAME = keysrb	DESIGNED - JJC	REVISED -
	DRAWN - UJ	REVISED -
PLOT SCALE = 20.0000' / in.	CHECKED - MAR	REVISED -
PLOT DATE = 6/2/2011	DATE - 5-13-11	REVISED -

**STATE OF ILLINOIS
DEPARTMENT OF TRANSPORTATION**

**F.A.P. 808 (IL RTE 130)
CROSS SECTIONS**

SCALE: SHEET NO. 4 OF 6 SHEETS STA. 2080+00.00+2081+00.00

F.A.P. RTE. 808	SECTION 94BR-1	COUNTY CHAMPAIGN	TOTAL SHEETS 50	SHEET NO. 48
			CONTRACT NO. 70582	

ILLINOIS FED. AID PROJECT