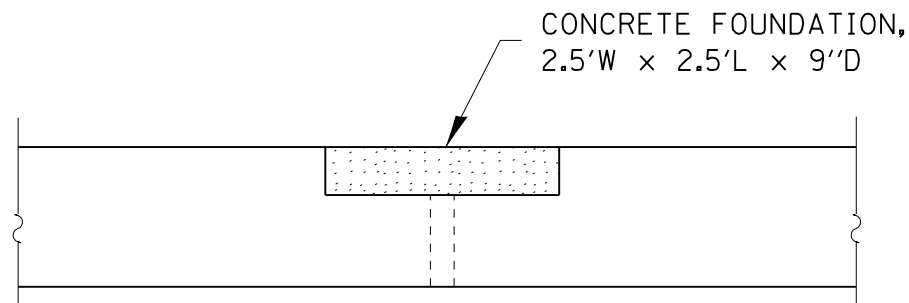
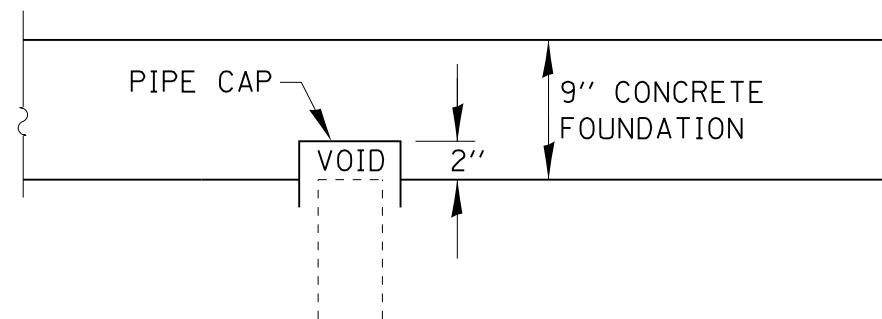


 FOUNDATION REMOVAL AREA



 PROPOSED CONCRETE FOUNDATION



PIPE CAPPING DETAIL

NOTES

COST OF FILLING PIPE WITH CLSM INCLUDED IN COST OF CONCRETE FOUNDATION (SPECIAL)

SAW CUTS REQUIRED FOR FOUNDATION REMOVAL INCLUDED IN COST OF CONCRETE FOUNDATION (SPECIAL)

SAW CUTS REQUIRED FOR PIPE REMOVAL INCLUDED IN COST OF CONCRETE FOUNDATION (SPECIAL)

PIPE SHALL BE CAPPED WITH PVC OR OTHER MATERIAL APPROVED BY THE ENGINEER TO ACCOMODATE FUTURE SETTLEMENT. COST INCLUDED IN CONCRETE FOUNDATION (SPECIAL)

FILE NAME =	USER NAME = sparksgw	DESIGNED -	REVISED -
ei:\pw\work\p\idot\sparksgw\10280145\067200-sht-details.dgn		DRAWN -	REVISED -
	PLOT SCALE = 200.0000' / in.	CHECKED -	REVISED -
	PLOT DATE = Dec-21-2011 03:01:09PM	DATE -	REVISED -

**STATE OF ILLINOIS
DEPARTMENT OF TRANSPORTATION**

**CONCRETE FOUNDATIONS
REMOVAL & REPLACEMENT**

SCALE: NTS SHEET 3 OF 7 SHEETS STA. TO STA.

F.A.P. RTE.	SECTION	COUNTY	TOTAL SHEETS	SHEET NO.
610	(GI-4)	SANGAMON	24	13
CONTRACT NO. 72FOO			ILLINOIS FED. AID PROJECT	