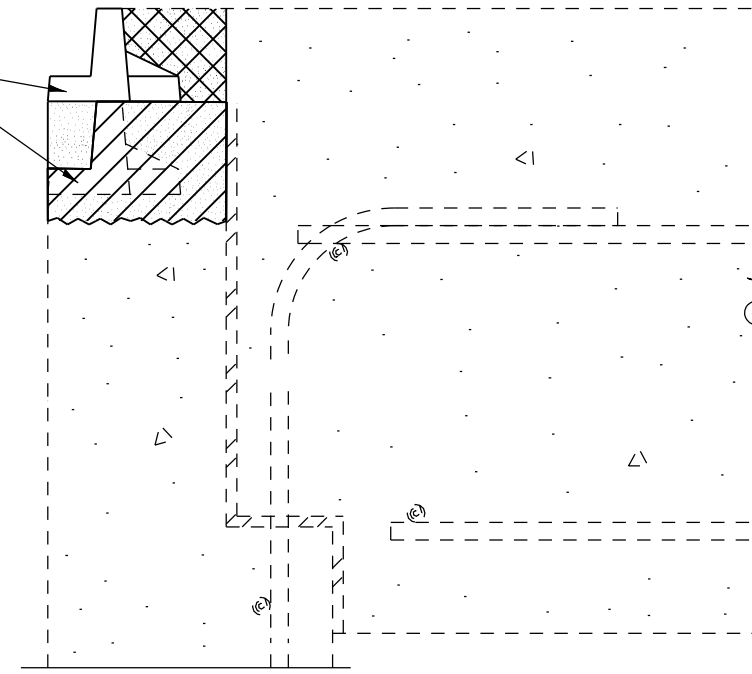
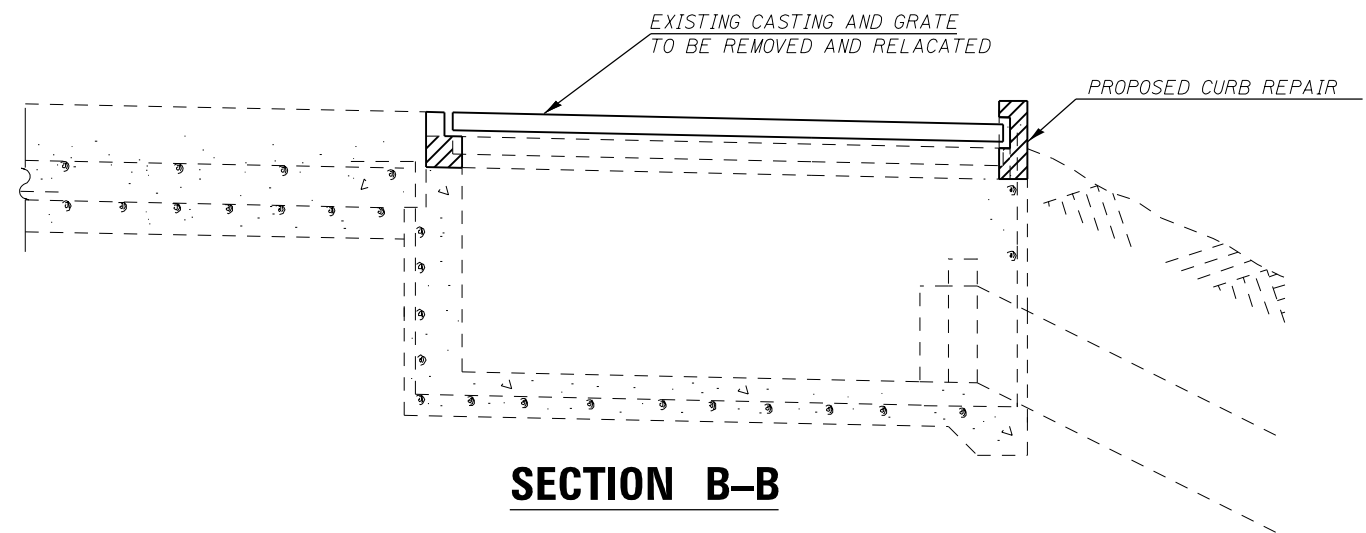
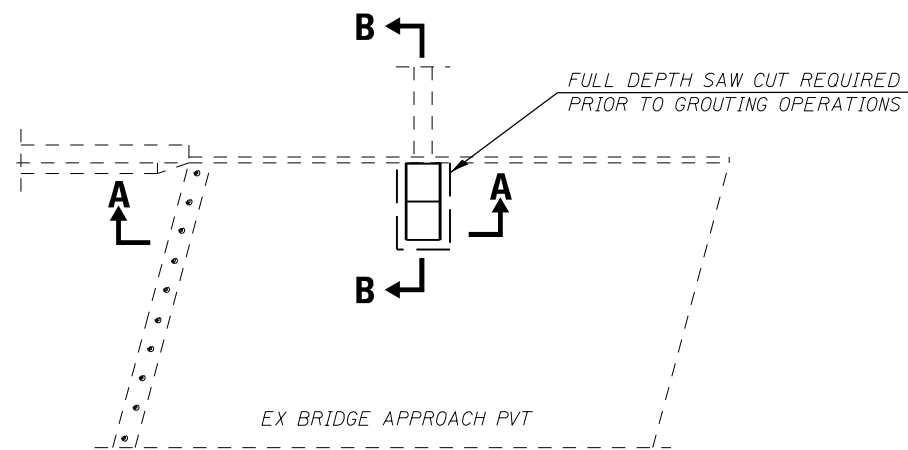


EXIST CASTING AND GRATE
TO BE REMOVED AND REINSTALLED



- CONCRETE TO BE REMOVED
- 1" POLYMER CONCRETE POUR
- 2" POLYMER CONCRETE POUR



FILE NAME =	USER NAME = sparksgw	DESIGNED -	REVISED -
ei:\pw\work\p\idot\sparksgw\10280145\067200-sht-details.dgn		DRAWN -	REVISED -
	PLOT SCALE = 200.0000' / in.	CHECKED -	REVISED -
	PLOT DATE = Dec-21-2011 03:01:00PM	DATE -	REVISED -

STATE OF ILLINOIS
DEPARTMENT OF TRANSPORTATION

INLET RECONSTRUCTION DETAIL

SCALE: NTS SHEET 5 OF SHEETS STA. TO STA.

F.A.P. RTE.	SECTION	COUNTY	TOTAL SHEETS	SHEET NO.
610	(GI-4)	SANGAMON	24	15
CONTRACT NO. 72FOO			ILLINOIS FED. AID PROJECT	