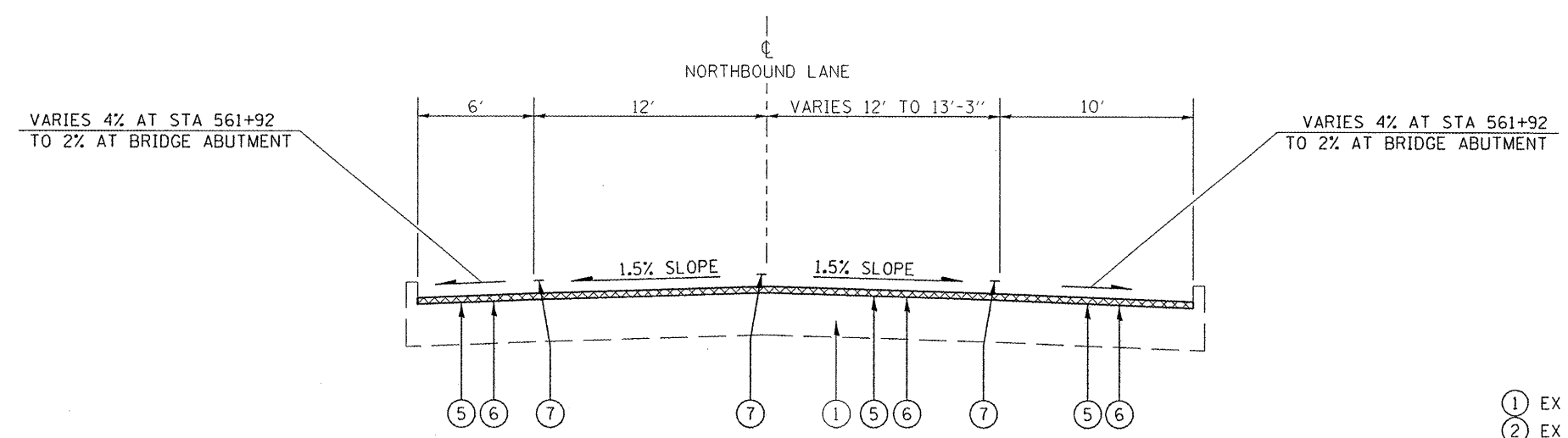


TYPICAL #1
 FAP 310 (US 67)
 STA 561+72 TO STA 561+92



TYPICAL #2
 FAP 310 (US 67)
 STA 561+92 TO STA 562+22

- LEGEND
- ① EX BRIDGE APPROACH PAVEMENT
 - ② EX PORTLAND CEMENT CONCRETE PAVEMENT 10" (JOINTED)
 - ③ EX PORTLAND CEMENT CONCRETE SHOULDER 10"
 - ④ EX AGGREGATE SHOULDER, TYPE B
 - ⑤ PR PORTLAND CEMENT CONCRETE SURFACE REMOVAL - BUTT JOINT
 - ⑥ PR HOT-MIX ASPHALT SURFACE COURSE, MIX "C", N70
 - ⑦ PR URETHANE PAVEMENT MARKING - LINE 5"

FILE NAME =	USER NAME = coxte	DESIGNED -	REVISED -	STATE OF ILLINOIS DEPARTMENT OF TRANSPORTATION	TYPICAL SECTIONS FAP 310 (US 67)		F.A.P. RTE.	SECTION	COUNTY	TOTAL SHEETS	SHEET NO.
e:\pwwork\p1dot\coxte\02288514\067218\shh-typical.dgn	DRAWN -	REVISED -	310				169-1) 1-2	MORGAN	8	4	
PLOT SCALE = 81.7723' / in.	CHECKED -	REVISED -	CONTRACT NO. 72F18								
PLOT DATE = Dec-22-2011 01:28:35PM	DATE -	REVISED -	ILLINOIS FED. AID PROJECT								