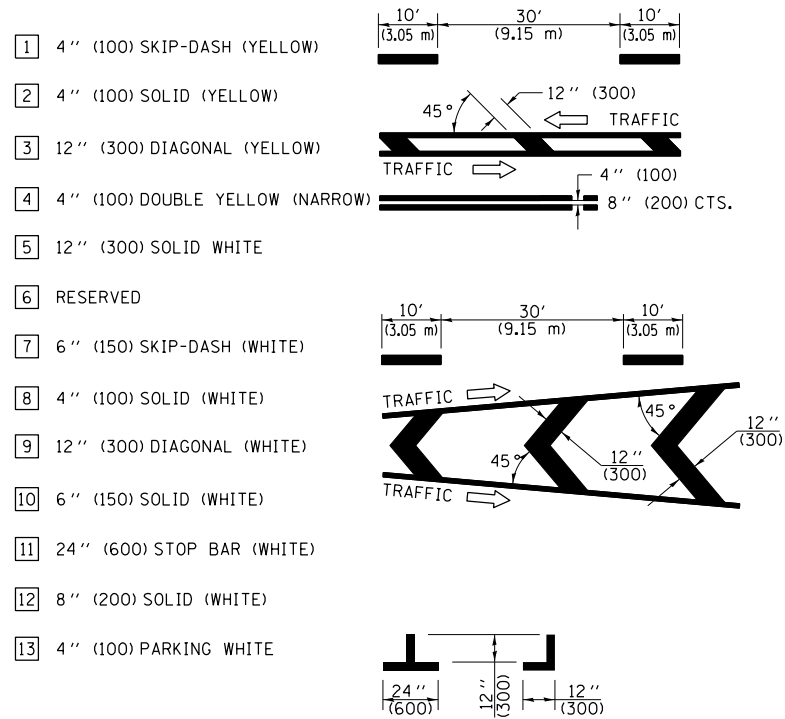


* REDUCE TO 40 FEET (12.2 METERS) SPACING ON CURVES WHERE ADVISORY SPEEDS ARE 10 MPH (15 km/h) LOWER THAN POSTED SPEEDS.

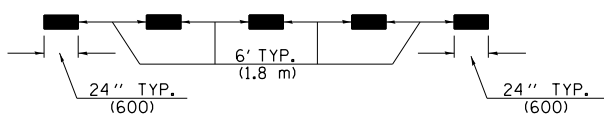
** DOUBLE LANE LINE MARKERS SHALL BE SPECIFIED AND SPACED AS SHOWN IN HIGHWAY STANDARD 781001 FOR MULTI-LANE DIVIDED AND UNDIVIDED HIGHWAYS.

PAVEMENT MARKING LEGEND

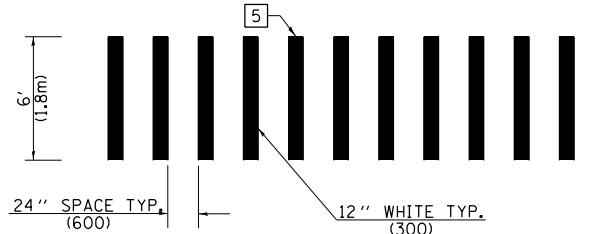


GENERAL NOTES

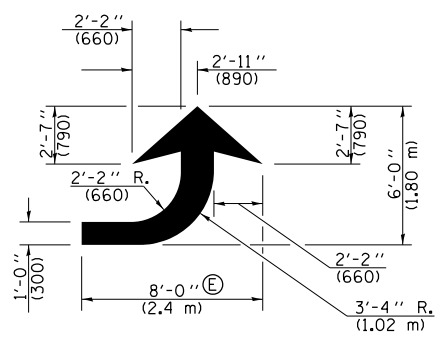
- TURN ARROW PAIRS SHALL BE PLACED AT 250' (75 m) INTERVALS AND SHALL BE EVENLY SPACED BETWEEN BOTH ENDS OF THE BIDIRECTIONAL LEFT TURN LANE. USE A MINIMUM OF TWO PAIRS PER BLOCK.
- THE SOLID YELLOW PAVEMENT MARKINGS [2] SHOULD GENERALLY START OR END NEAR THE RADIUS POINT OF EACH STREET RETURN EXCEPT WHERE ONE OR BOTH ENDS WOULD INCLUDE STOP BARS.
- THE SKIP-DASH PAVEMENT MARKINGS [1] OR [7] SHOULD BE CENTERED BETWEEN BOTH ENDS OF EACH CITY BLOCK AND SHALL BE PLACED SO THEY LINE UP ACROSS FROM EACH OTHER.
- USE LARGE ARROW SIZE FOR BOTH RURAL AND URBAN LOCATIONS. (SEE LAST PAGE OF SECTION 780x FOR SYMBOLS TABLE)
- LANE LINE EXTENSIONS SHALL BE THE SAME COLOR AND WIDTH AS THE LANE LINE BEING EXTENDED.



LANE LINE EXTENSIONS

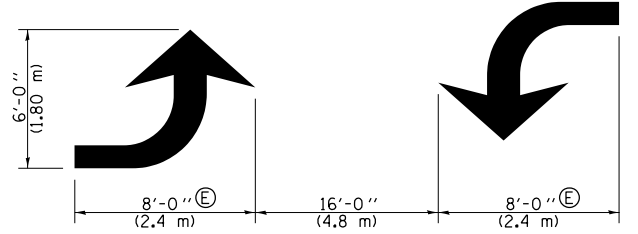


CROSSWALK DETAIL (DECATUR CITY LIMITS ONLY)



LEFT ARROW

REVERSE FOR RIGHT ARROW
AREA = 15.6 SQ. FT. (1.47 m²)
(WHITE)



TYPICAL DOUBLE TURN ARROWS (WHITE)

NOT TO SCALE
Note: All dimensions are in INCHES (millimeters) unless otherwise shown.

FILE NAME =	USER NAME = \$USER*	DESIGNED -	REVISED -
*FILE#		DRAWN -	REVISED -
	PLOT SCALE = \$SCALE*	CHECKED -	REVISED -
	PLOT DATE = \$DATE*	DATE -	REVISED -

**STATE OF ILLINOIS
DEPARTMENT OF TRANSPORTATION**

**PAVEMENT MARKING AND RAISED REFLECTIVE PAVEMENT MARKERS
(RURAL & URBAN APPLICATIONS)**

SCALE: NA SHEET NO. 2 OF 4 SHEETS STA. TO STA.

DISTRICT 7 DETAIL NO. 7800001				
F.A.P. RTE.	SECTION	COUNTY	TOTAL SHEETS	SHEET NO.
95	7Z RS-2	Effingham	14	11
			CONTRACT NO. 74541	
ILLINOIS FED. AID PROJECT				