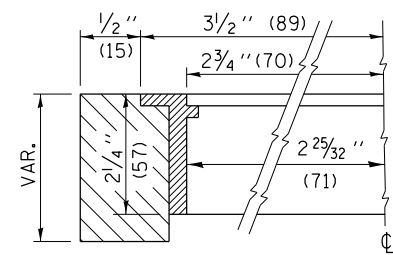
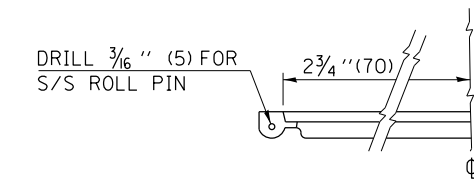


- LEGEND**
- ALUMINUM CASTING
 - 5" (125) OR 6" (150) P.V.C. PIPE
 - TWO-COMPONENT EPOXY
- T = THICKNESS OF PAVEMENT STRUCTURE
H = THE THICKNESS OF THE SUB-BASE GRANULAR + 1" (25)

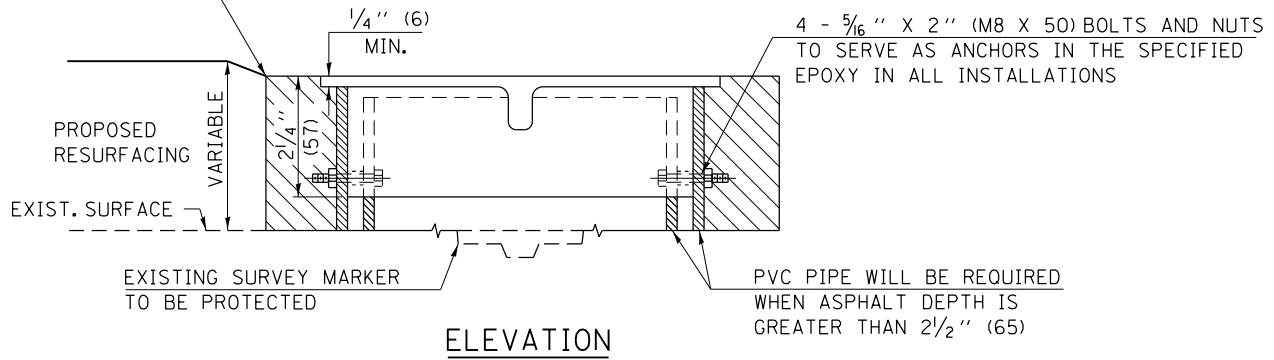
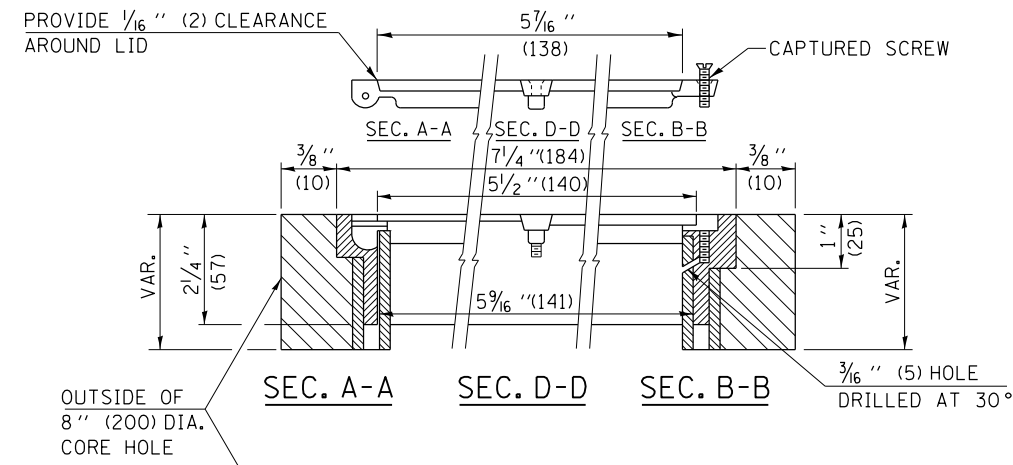
BILL OF MATERIAL	
ALUMINUM CASTING OF THE DIMENSIONS AND SPECIFICATIONS SHOWN OR OTHER SUBJECT TO ENGINEER'S APPROVAL OF SHOP DRAWINGS, 4 EACH - 5/16" X 2" (M8 X 50) BOLTS WITH NUTS, EPOXY, 5" OR 6" (125 mm OR 150 mm) DIAMETER P.V.C. PIPE, SCHEDULE 40 (WHEN REQUIRED).	



SECTION C-C

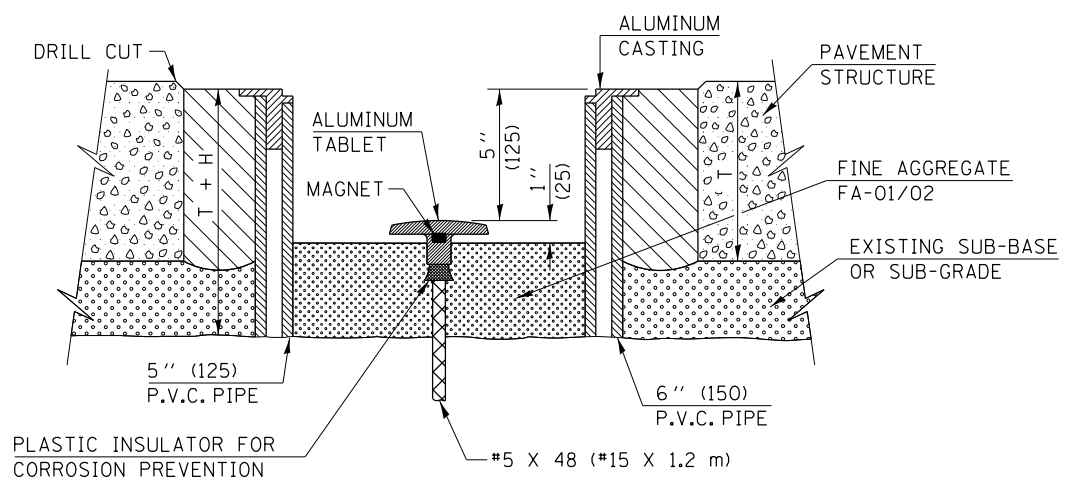


LID HINGE DETAIL



ELEVATION

EXISTING SURVEY MARKER



ELEVATION

PROPOSED SURVEY MARKER

NOT TO SCALE
Note: All dimensions are in INCHES (millimeters) unless otherwise shown.

DISTRICT 7 DETAIL NO. 20070202

FILE NAME =	USER NAME = *USER*	DESIGNED -	REVISED - MAD 6-11	STATE OF ILLINOIS DEPARTMENT OF TRANSPORTATION	SURVEY MARKER VAULT			F.A.P. RTE.	SECTION	COUNTY	TOTAL SHEETS	SHEET NO.
FILEL		DRAWN -	REVISED -		95	7X RS-2	Effingham	14	14			
	PLOT SCALE = *SCALE*	CHECKED -	REVISED -		CONTRACT NO. 74541							
	PLOT DATE = *DATE*	DATE -	REVISED -		SCALE: NA	SHEET NO. 1 OF 1 SHEETS	STA. TO STA.	FED. ROAD DIST. NO. ILLINOIS FED. AID PROJECT				