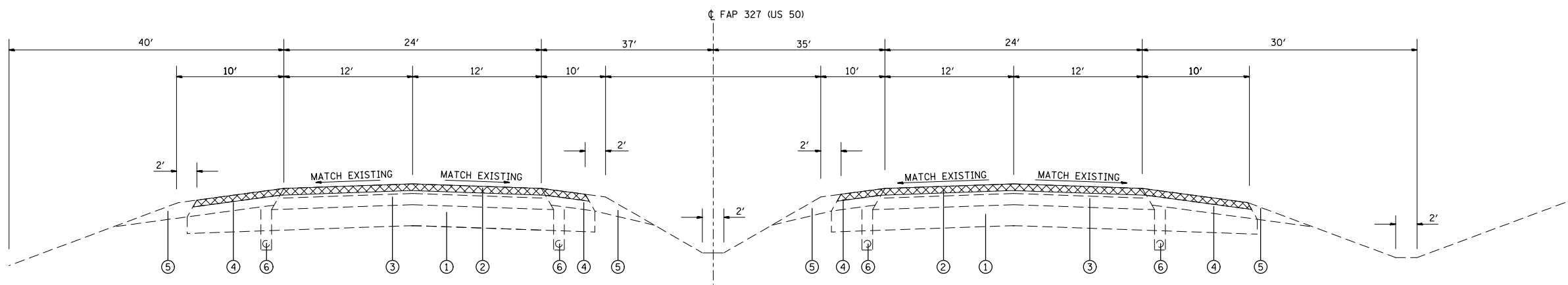


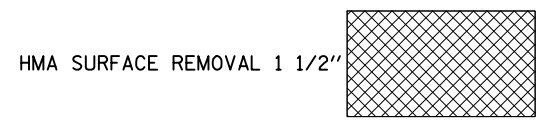
TYPICAL SUPERELEVATED SECTION
STA. 2574+00 TO STA. 2594+21.59



TYPICAL TANGENT SECTION
STA. 2594+21.59 TO STA. 2593+00

LEGEND

- ① EXISTING BITUMINOUS BASE COURSE 6 1/4 & 9 1/4
- ② EXISTING BITUMINOUS CONCRETE SURFACE COURSE, 1 1/2"
- ③ EXISTING BITUMINOUS CONCRETE BINDER COURSE, 3/4"
- ④ EXISTING BITUMINOUS SHOULDER 8"
- ⑤ EXISTING AGGREGATE SHOULDERS, TYPE B
- ⑥ EXISTING 4" PIPE UNDERDRAINS
- ⑦ PROPOSED LEVELING BINDER 3/4"
- ⑧ PROPOSED HMA SURFACE COURSE 1 1/2"
- ⑨ PROPOSED AGGRAGATE (PRIME COAT)
- ⑩ PROPOSED BITUMINOUS MATERIAL (PRIME COAT)
- ⑪ PROPOSED HMA SHOULDER 2 1/4"
- ⑫ PROPOSED AGGREGATE SHOULDER, TYPE B



FILE NAME =	USER NAME = milleraj	DESIGNED -	REVISED -
et:\pw\work\p\dot\milleraj\d0119358\d878	eb81-sht-planB.dgn	DRAWN -	REVISED -
	PLOT SCALE = 100.0000' / in.	CHECKED -	REVISED -
	PLOT DATE = 12/23/2011	DATE -	REVISED -

**STATE OF ILLINOIS
DEPARTMENT OF TRANSPORTATION**

EXISTING TYPICAL SECTION

SCALE:	SHEET NO.	OF	SHEETS	STA.	TO STA.
--------	-----------	----	--------	------	---------

F.A.P. RTE.	SECTION	COUNTY	TOTAL SHEETS	SHEET NO.
327	(82-11,14-12)RS-1	*	64	10
FED. ROAD DIST. NO. ILLINOIS FED. AID PROJECT			CONTRACT NO. 76B81	

• ST. CLAIR / CLINTON