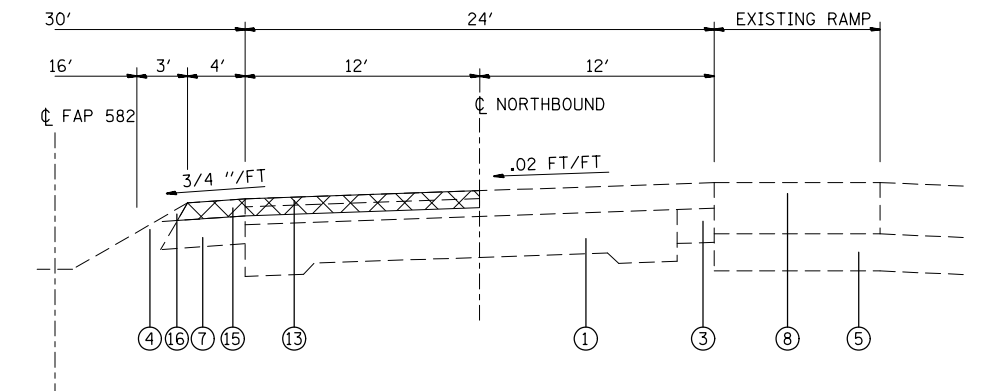
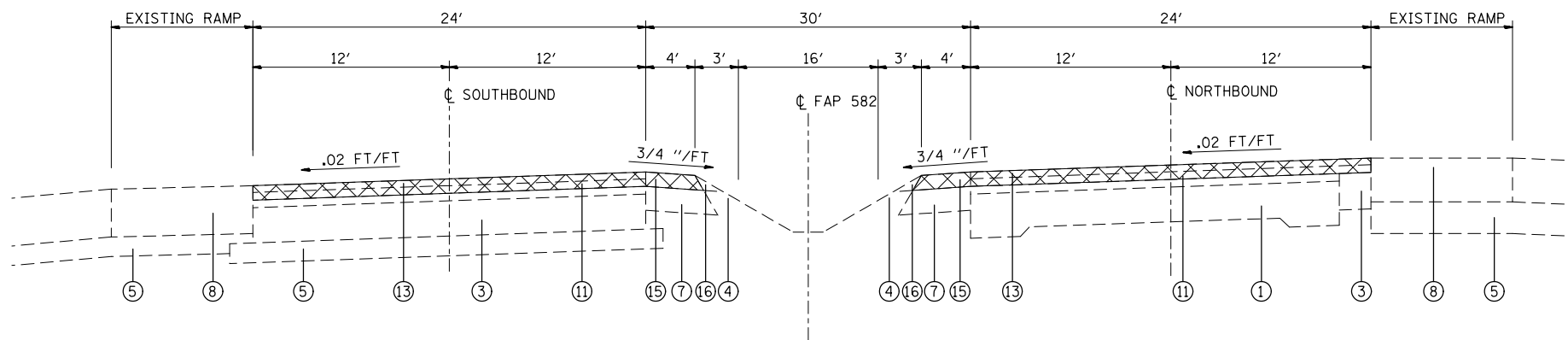


**SOUTHBOUND**  
 STA. 183+95.69 TO STA. 190+45  
 STA. 196+15 TO STA. 204+88

**NORTHBOUND**  
 STA. 183+95.69 TO STA. 192+92  
 STA. 198+52 TO STA. 203+00.00

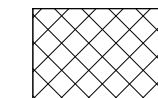


**DETAIL A-A**  
 NORTHBOUND ONLY  
 \*\*STA. 196+39.26 TO STA. 198+01.04

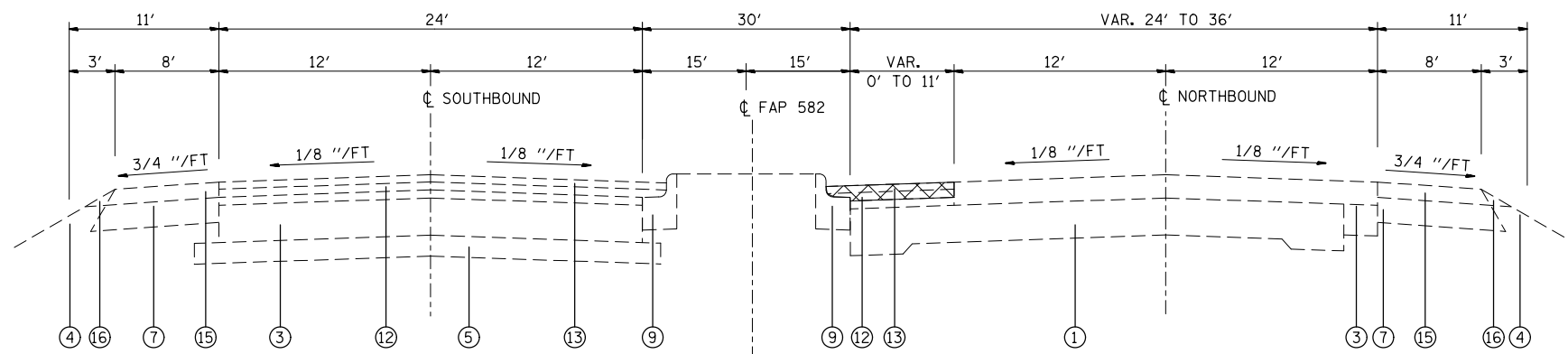


**SOUTHBOUND**  
 STA. 190+45 TO STA. 196+15

**NORTHBOUND**  
 STA. 192+92 TO STA. 196+39.26  
 \*\*STA. 196+39.26 TO STA. 198+01.04  
 STA. 198+01.04 TO STA. 198+52  
 (\*\*SEE DETAIL A-A)



HMA SURFACE REMOVAL 2 1/4"



**SOUTHBOUND**  
 STA. 204+88 TO STA. 207+41

**NORTHBOUND**  
 STA. 203+00 TO STA. 207+41

**LEGEND**

- ① EXISTING P.C.C. PAVEMENT 10"-8"-10"
- ② EXISTING CURB & GUTTER, TYPE B-6.06
- ③ EXISTING P.C.C. PAVEMENT CONCRETE BASE COURSE 9"
- ④ EXISTING TURF SHOULDER
- ⑤ EXISTING SUB-BASE GRANULAR MATERIAL 6"
- ⑥ EXISTING CONCRETE MEDIAN SURFACE 4"
- ⑦ EXISTING SHOULDERS (STABILIZED)
- ⑧ EXISTING STANDARD REINFORCED JOINTED P.C.C. PAVEMENT 10"
- ⑨ EXISTING CONCRETE CURB & GUTTER, TYPE B-9.24
- ⑩ EXISTING HMA SHOULDERS (6" AND VARIES)
- ⑪ EXISTING LEVELING BINDER (MM) MIX C, TYPE 2, 3/4", 1" AND VARIES
- ⑫ EXISTING LEVELING BINDER (MM) MIX B, TYPE 2, 1 3/4" AND VARIES
- ⑬ EXISTING HMA CONCRETE SURFACE COURSE, MIX D, CLASS I, TYPE 2, 1 1/2"
- ⑭ EXISTING HMA CONCRETE PAVEMENT (FULL DEPTH), TYPE 2, 13 1/4"
- ⑮ EXISTING HMA SHOULDERS (VARIES 1 1/2" TO 6 1/2")
- ⑯ EXISTING AGGREGATE SHOULDERS, TYPE B

|  |                      |            |           |
|--|----------------------|------------|-----------|
| FILE NAME =  | USER NAME = milleraj | DESIGNED - | REVISED - |
| et:\pw\work\p\dot\milleraj\02260814\0876e96-sht-plan.dgn |                      | DRAWN -    | REVISED - |
|  |                      | CHECKED -  | REVISED - |
|  |                      | DATE -     | REVISED - |
|  |                      |            |           |

**STATE OF ILLINOIS  
 DEPARTMENT OF TRANSPORTATION**

**EXISTING TYPICAL SECTIONS**

SCALE: SHEET NO. OF SHEETS STA. TO STA.

|   |                |         |              |           |
|---|----------------|---------|--------------|-----------|
| F.A.P. RTE.                                   | SECTION        | COUNTY  | TOTAL SHEETS | SHEET NO. |
| 582   | (6-3, 6-1)RS-3 | MADISON | 66           | 10        |
| CONTRACT NO. 76E96                            |                |         |              |           |
| FED. ROAD DIST. NO. ILLINOIS FED. AID PROJECT |                |         |              |           |