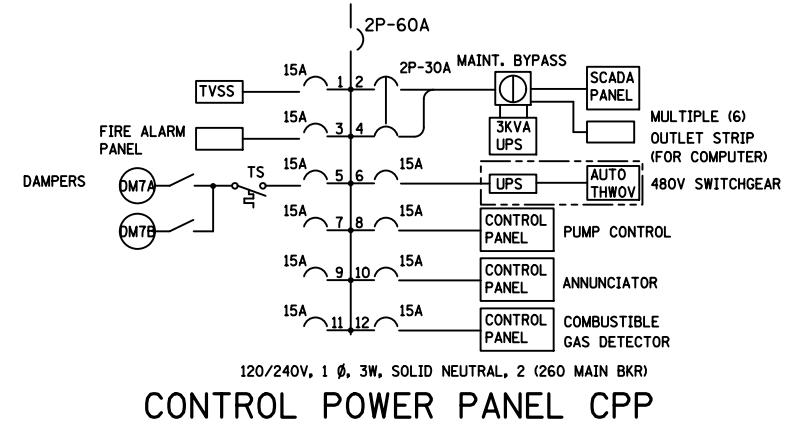


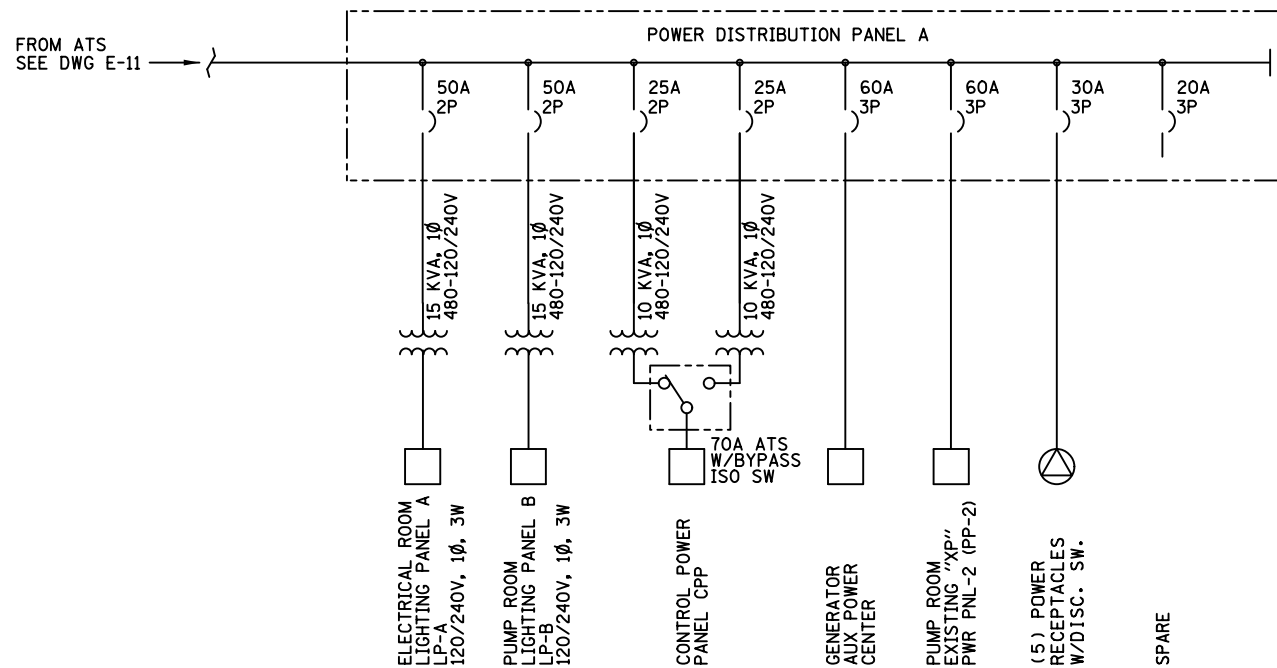
EXISTING
EXP. PROOF
CKT. BKR AND
MOTOR STARTERS



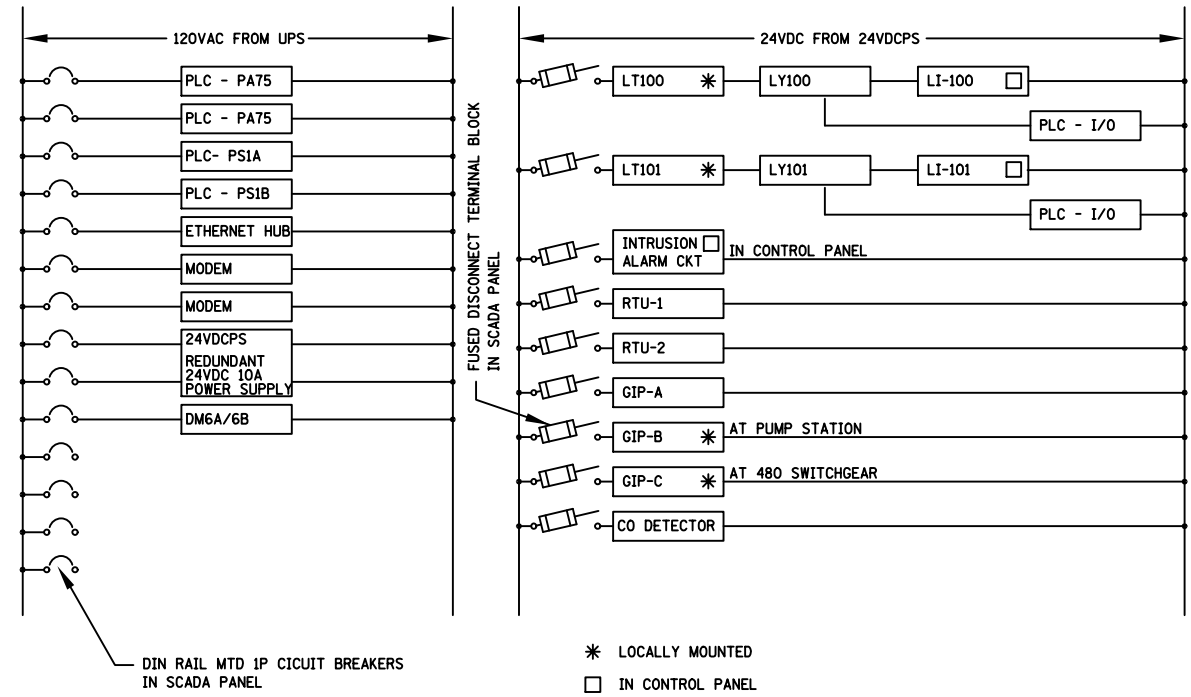
MODIFICATION OF EXISTING "XP" POWER PANEL-2 (PP-2) PUMP ROOM

NOTES:

1. REMOVE FIRE PUMP MOTOR, CONDUIT & WIRING. PLUG CONDUIT OPENING AT STARTER.
2. ADD DISCONNECT SW. EXISTING CONDUIT AND CABLE MAY BE REUSED.
3. REMOTE MOTOR, CONDUITS & WIRING PLUG CONDUIT OPENING AT STARTER.



POWER DISTRIBUTION PANEL A ELECTRICAL CONTROL ROOM



POWER DISTRIBUTION IN SCADA PANEL

INFORMATION ONLY

FILE NAME =	USER NAME = lewiska	DESIGNED -	REVISED -
et:\pw\work\p1\dot\lewiska\d0286990\d87642-sh-t-plen.dgn		DRAWN -	REVISED -
		CHECKED -	REVISED -
		DATE -	REVISED -

STATE OF ILLINOIS
DEPARTMENT OF TRANSPORTATION

BOWMAN AVENUE PUMP STATION REHABILITATION ELECTRICAL - PANEL BOARD			
SCALE:	SHEET NO.	OF SHEETS	STA. TO STA.

F.A.I. RTE.	SECTION	COUNTY	TOTAL SHEETS	SHEET NO.
70	82-(1,2)T-19	ST CLAIR	12	7
FED. ROAD DIST. NO.			ILLINOIS FED. AID PROJECT	
			CONTRACT NO. 76F42	