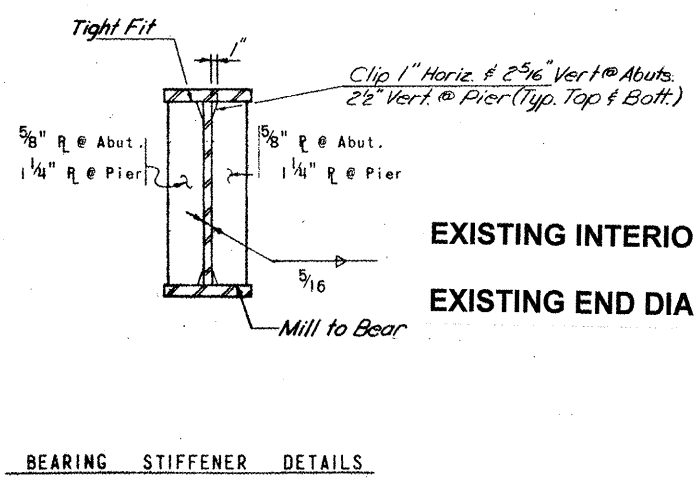
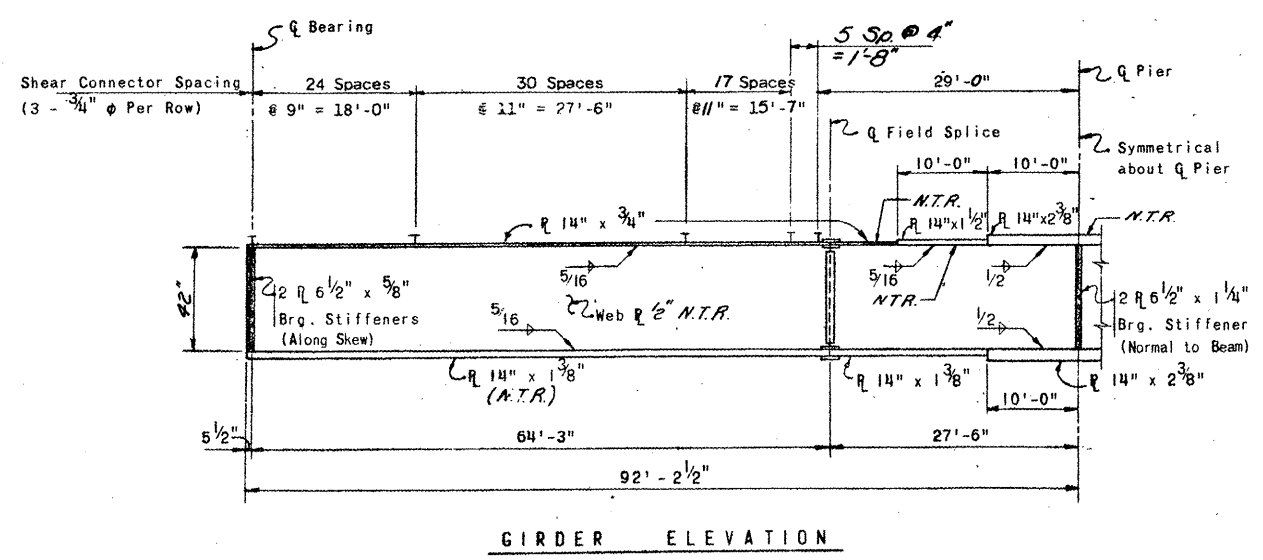
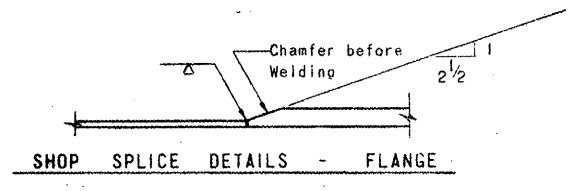
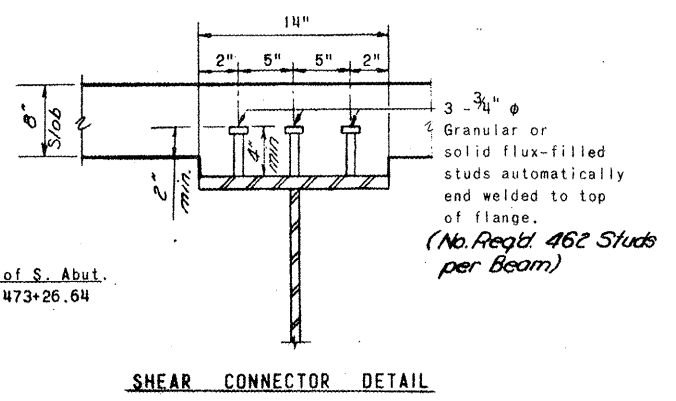
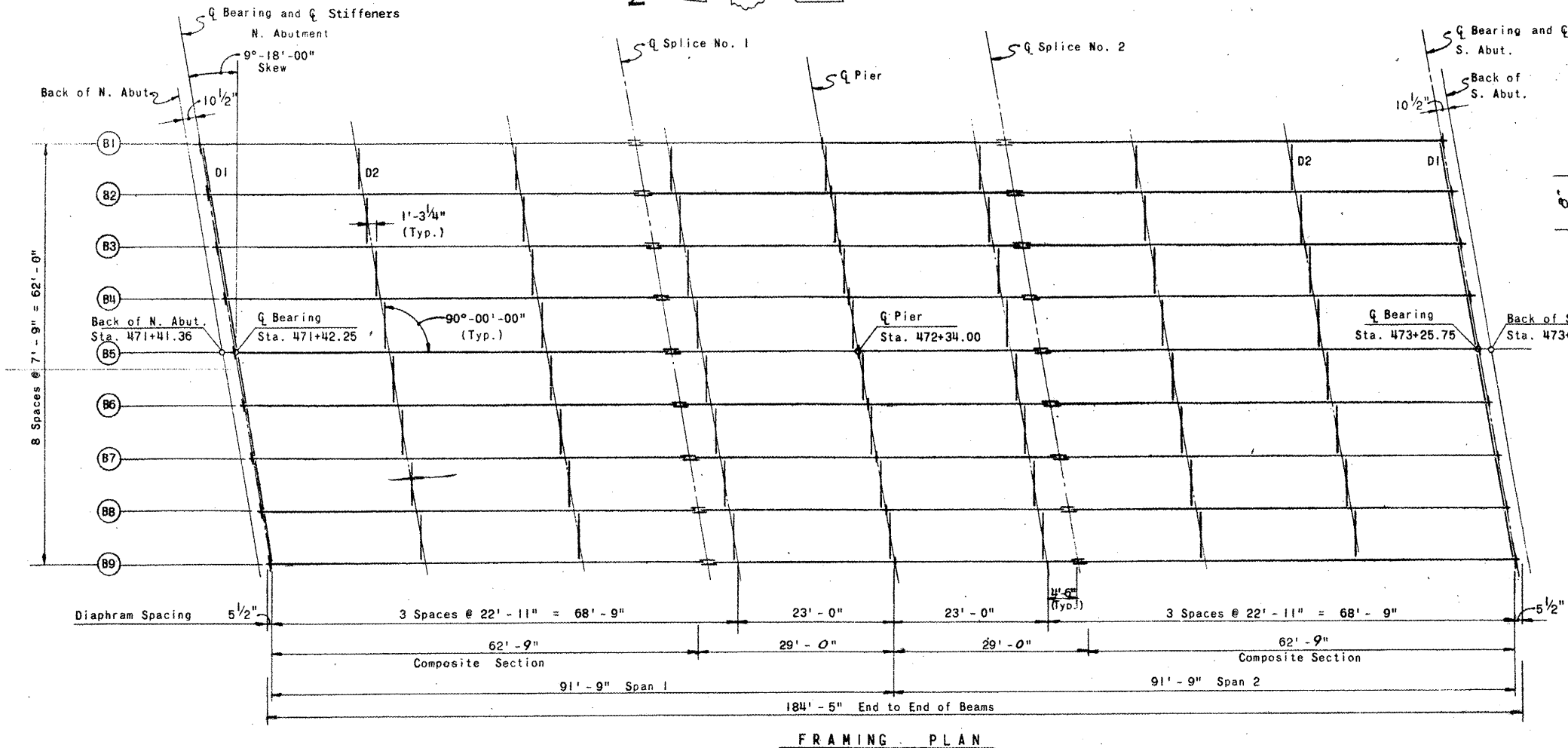


STATE OF ILLINOIS
DEPARTMENT OF TRANSPORTATION

| | |
|-----------|-------------|
| ROUTE NO. | SECTION |
| FA409 | 14-12HB |
| FNWA | REG. NO. 41 |



EXISTING INTERIOR DIAPHRAGMS ARE W16x36
EXISTING END DIAPHRAGMS ARE W21x50

LOCATION 2
SN 014-0065
NO SCALE

| | | | | | | | | | | | |
|--|---------------------------|---------------|--------------|---|---|------------------------|---------------------------------|--------------------|---|-----------------|--|
| FILE NAME c:\p\work\p\dot\challengeska\d0287812 | USER NAME challengeska | DESIGNED - | REVISED - | STATE OF ILLINOIS DEPARTMENT OF TRANSPORTATION | EXISTING STRUCTURE PLANS - SN 014-0065 | F.A.P. RTE. 327/690 | SECTION 14-14HB-P, 14-12BR-P | COUNTY CLINTON | TOTAL SHEETS 12 | SHEET NO. 12 | |
| PLOT SCALE 1/8" = 1'-0" | | | | | | SCALE: NONE | SHEET NO. OF SHEETS | STA. TO STA. | FED. ROAD DIST. NO. ILLINOIS FED. AID PROJECT | | |
| PLOT DATE 12/28/2011 | | | | | | | | CONTRACT NO. 76F43 | | | |
| | | | | | | | | | | | |