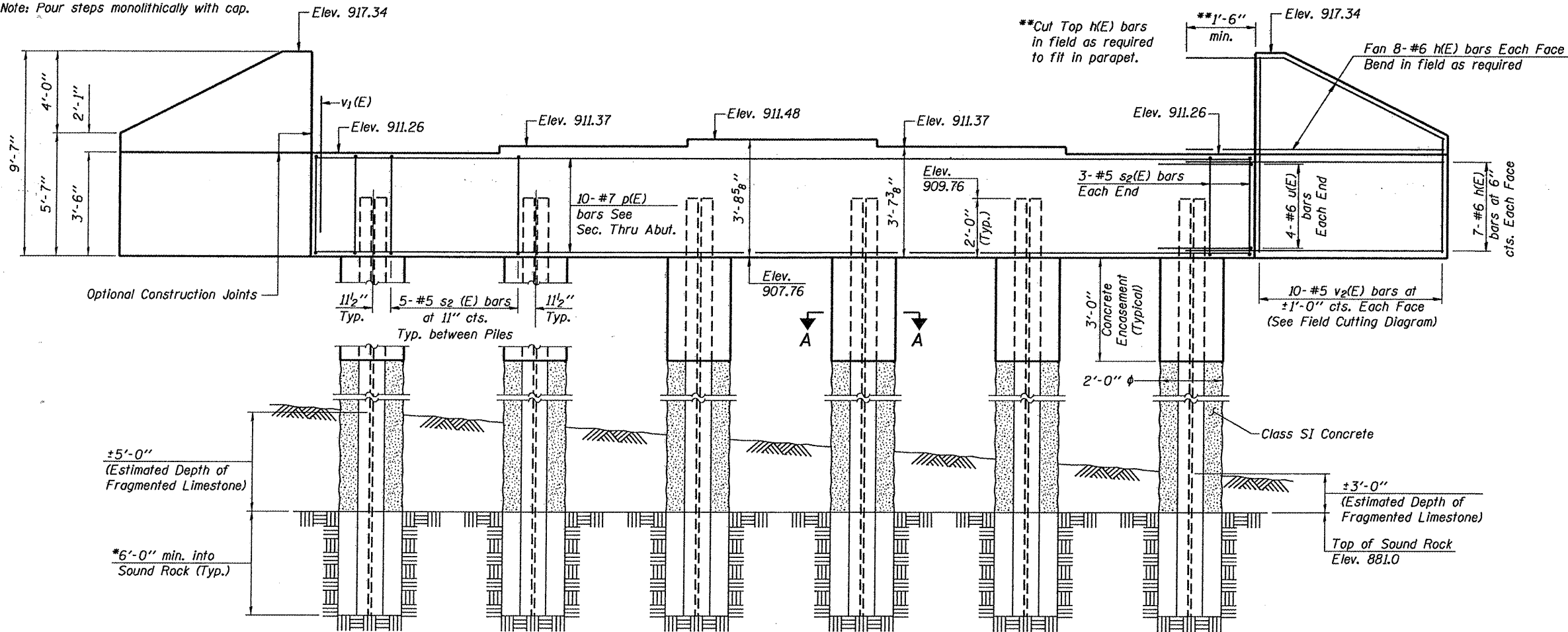
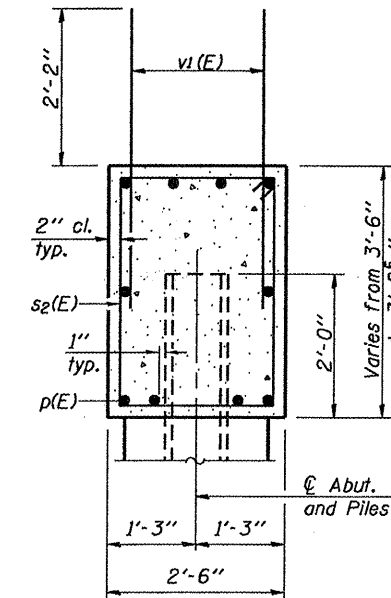
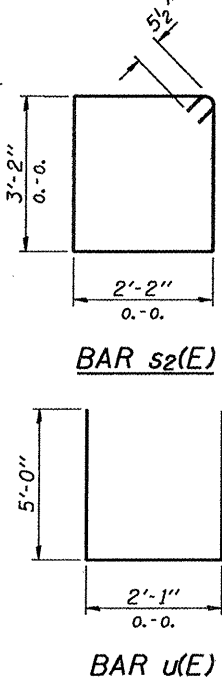


Note: Four steps monolithically with cap.

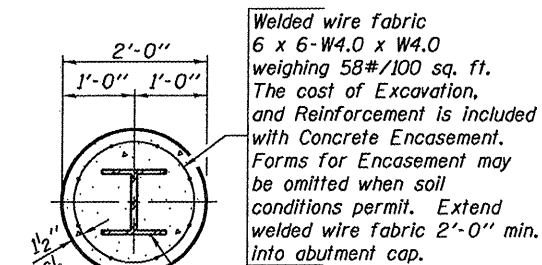


ELEVATION

*Note: Precore holes through embankment, existing earth, and fragmented limestone as shown. Piles shall be grouted into the rock with Class SI Concrete. Precored holes shall be clean at the time of placement and grouting. The Class SI Concrete used for grouting piles into rock and to fill cored holes, is included in the price for "Setting Piles in Rock". See Special Provisions.



SEC. THRU ABUT.



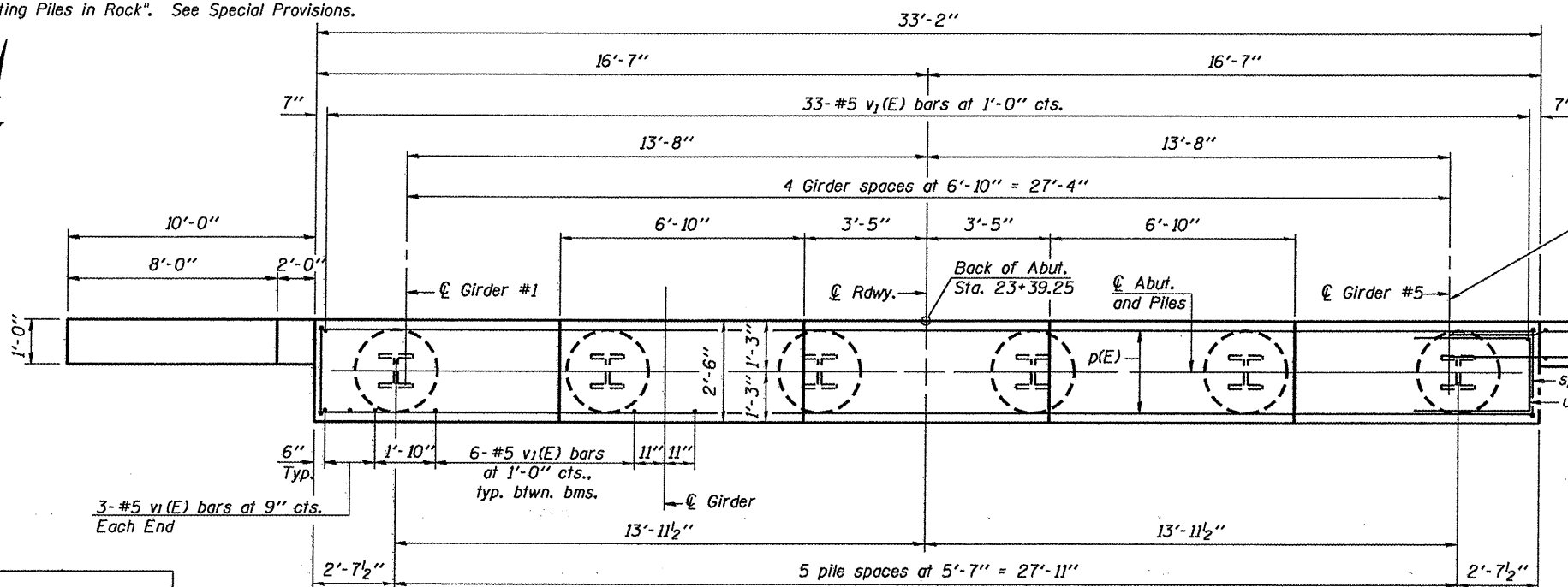
SECTION A-A
Concrete Encasement

NORTH ABUTMENT
BILL OF MATERIAL

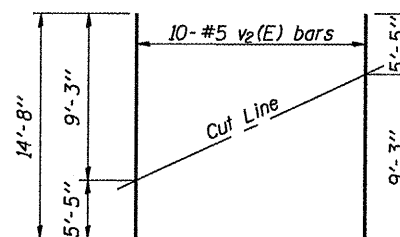
Bar	No.	Size	Length	Shape
h(E)	60	#6	12'-6"	—
p(E)	10	#7	32'-10"	—
s ₂ (E)	31	#5	11'-7"	□
u(E)	8	#6	12'-1"	—
v ₁ (E)	63	#5	4'-4"	—
v ₂ (E)	20	#5	14'-8"	—
Structure Excavation		Cu. Yd.	75	
Concrete Structures		Cu. Yd.	17.2	
Reinforcement Bars, Epoxy Coated		Pound	2,910	
Furnishing Steel Piles, Steel HP12x63		Foot	216	
Setting Piles in Rock		Each	6	
Concrete Encasement		Cu. Yd.	2.1	

For details of piles see sheet 20 of 22.

NORTH ABUTMENT
S.N. 043-3270



PLAN



FIELD CUTTING DIAGRAM

Order v₂(E) full length. Cut as shown and use remainder of bars in opposite face.

See Anchor Bolt Location Plan & Details on Sheet 16 of 22.

PILE DATA

Type: Steel HP12x63
Nominal Required Bearing: Set in Rock
Est. Length: 36 ft.
No. Production Piles: 6

The Steel Piles shall be according to AASHTO M270 Grade 50.

DESIGNED -	J.A.M.
CHECKED -	A.L.S.
DRAWN -	S.A.P.
CHECKED -	J.A.M. & A.L.S.

AI-0 5-16-08

FEHR-GRAHAM & ASSOCIATES, LLC
ENGINEERING AND SCIENCE CONSULTANTS
FREEPORT, IL ROCKFORD, IL ROCHELLE, IL MONROE, WI SPRINGFIELD, IL
4440 ASH GROVE SPRINGFIELD, IL 62711 (217)-793-8800 www.fehr-graham.com

C.H.	SECTION	COUNTY	TOTAL SHEETS	SHEET NO.
9	06-00127-00-BR	JO DAVIESS	55	27
SCOUT CAMP ROAD			CONTRACT NO. 85539	
ILLINOIS				