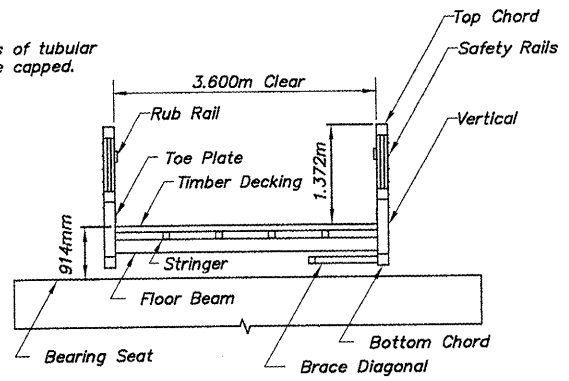


STATE OF ILLINOIS
DEPARTMENT OF TRANSPORTATION

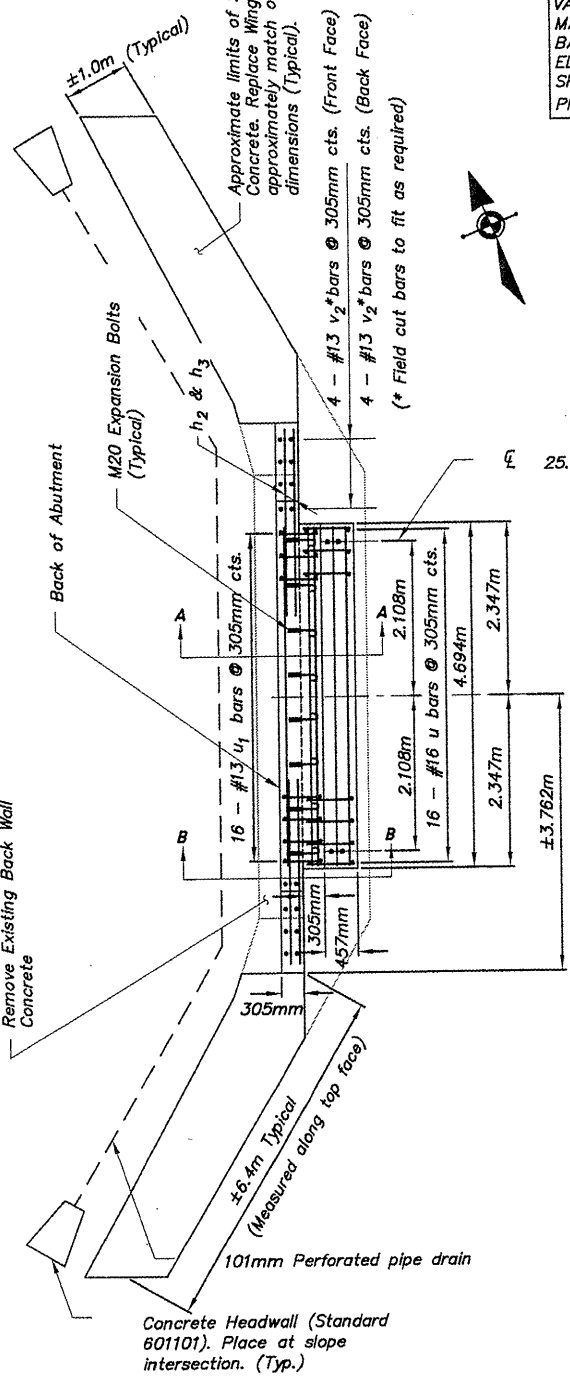
CAUTION
OVERHEAD
WIRES

DIMENSIONS AND ELEVATIONS MAY VARY WITH PREFABRICATED BRIDGE MANUFACTURER. DETERMINE ACTUAL BACK WALL HEIGHT AND BRIDGE SEAT ELEVATION IN ACCORDANCE WITH SHOP DRAWINGS SUPPLIED FOR THIS PROJECT.

Note:
Exposed ends of tubular steel shall be capped.

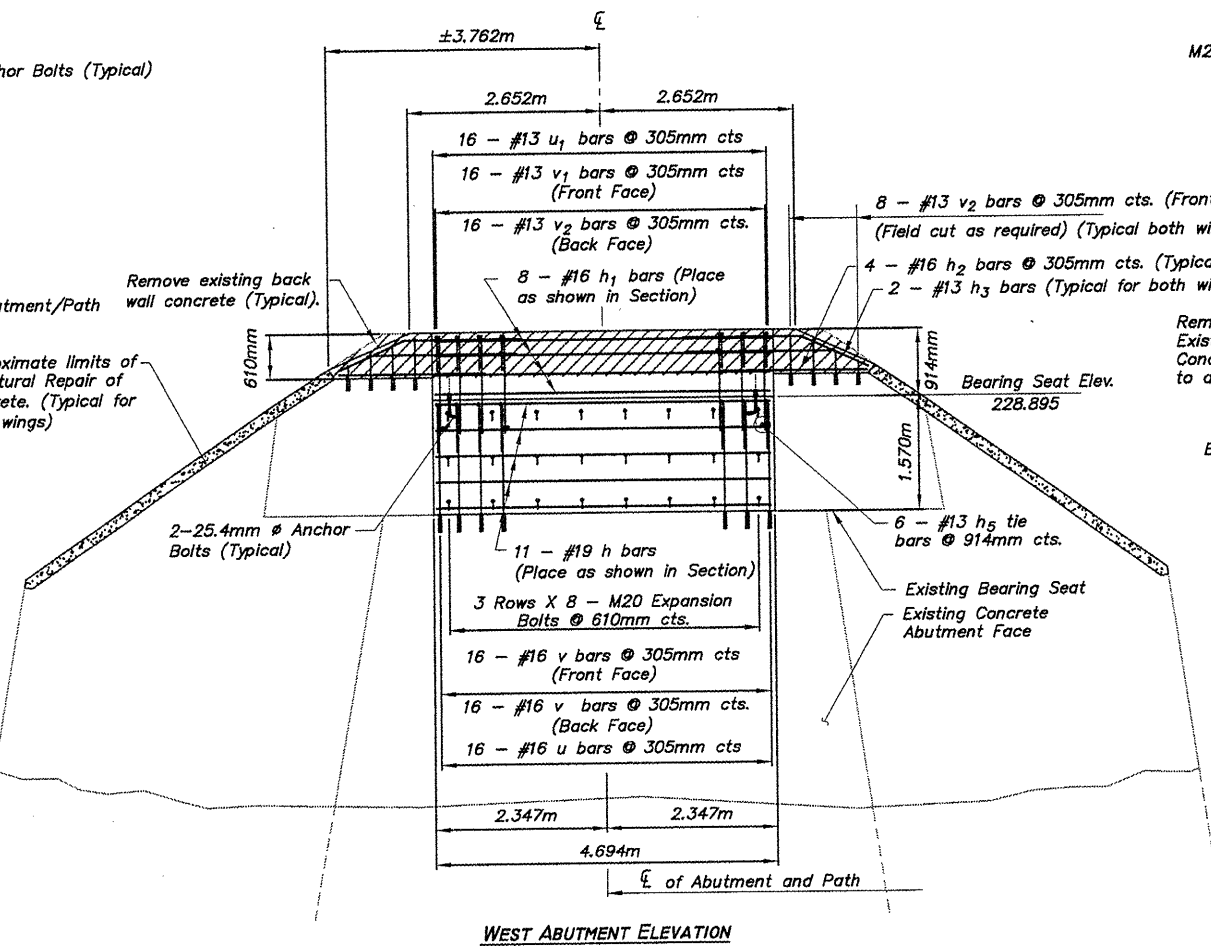


SECTION THROUGH BRIDGE NOT TO SCALE

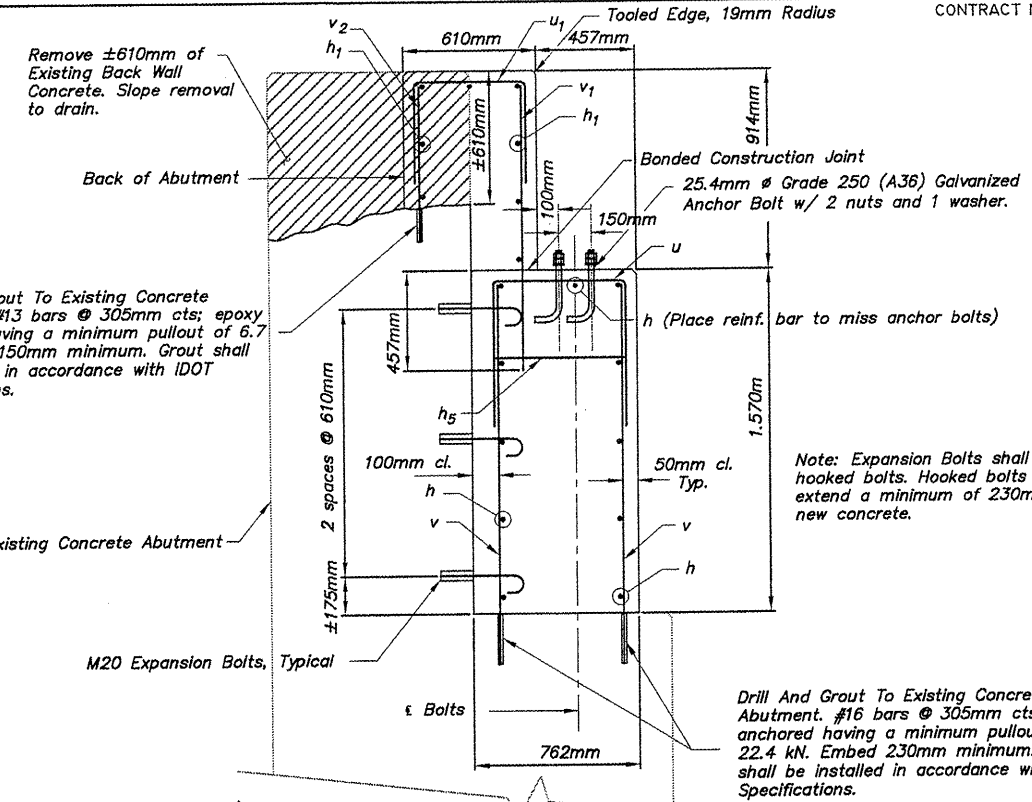


WEST ABUTMENT PLAN NOT TO SCALE

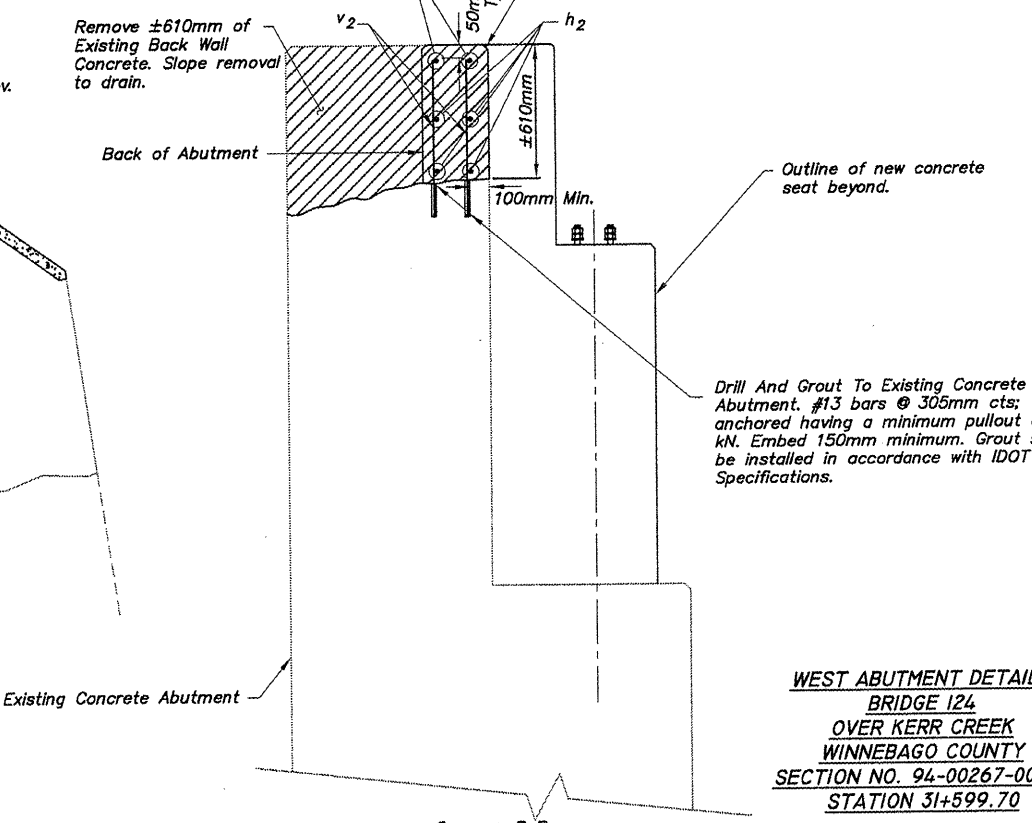
| Minimum Bar Lap | |
|-----------------|-------|
| #13 | 530mm |
| #16 | 660mm |
| #19 | 790mm |



WEST ABUTMENT ELEVATION



SECTION A-A



SECTION B-B
WEST ABUTMENT SECTIONS

WEST ABUTMENT DETAILS
BRIDGE 124
OVER KERR CREEK
WINNEBAGO COUNTY
SECTION NO. 94-00267-00-BT
STATION 31+599.70

| SHEET REVIEW | | REVISIONS | | | SCALE: | | BRIDGE NO. 124 DETAILS I | | SHEET NO. |
|--------------|------|-----------|------|------|--|---|---|---|-----------|
| AGENCY | DATE | NO. | ITEM | DATE | N/A | | PECATONICA PRAIRIE PATH | SECTION 94-00267-00-BT | |
| | | | | | DRAWN BY: REK <td>7283 Argus Drive Rockford, Illinois 61107-5837 (616) 398-2332 FAX (616) 398-2498</td> <td>WINNEBAGO COUNTY HIGHWAY DEPARTMENT <td>FILE:H:\10-042 WINN CO PEC PATH\DESIGN\DRAWINGS\BRIDGES\10-042 B124.DWG <td>93</td> </td></td> | 7283 Argus Drive Rockford, Illinois 61107-5837 (616) 398-2332 FAX (616) 398-2498 | WINNEBAGO COUNTY HIGHWAY DEPARTMENT <td>FILE:H:\10-042 WINN CO PEC PATH\DESIGN\DRAWINGS\BRIDGES\10-042 B124.DWG <td>93</td> </td> | FILE:H:\10-042 WINN CO PEC PATH\DESIGN\DRAWINGS\BRIDGES\10-042 B124.DWG <td>93</td> | 93 |
| | | | | | CHECKED BY: JMH <td>Design Firm License: Illinois 184-000816 <td> </td> <td> </td> <td>OF</td> </td> | Design Firm License: Illinois 184-000816 <td> </td> <td> </td> <td>OF</td> | | | OF |
| | | | | | DATE: DECEMBER 12, 2011 <td>Copyright 2011 By McClure Engineering Associates, Inc. <td> </td> <td> </td> <td>107</td> </td> | Copyright 2011 By McClure Engineering Associates, Inc. <td> </td> <td> </td> <td>107</td> | | | 107 |