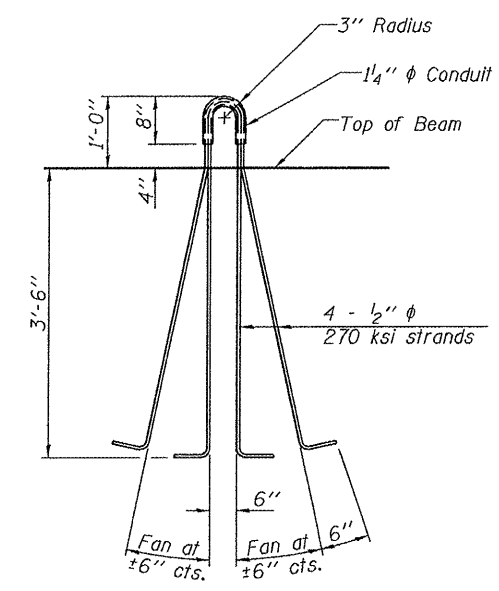
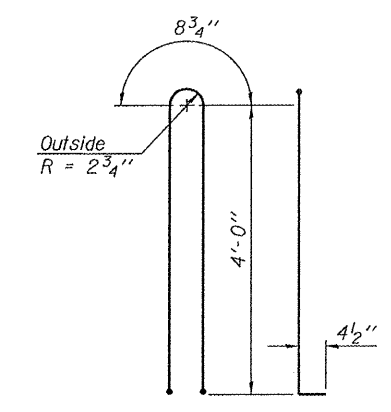


NOTES

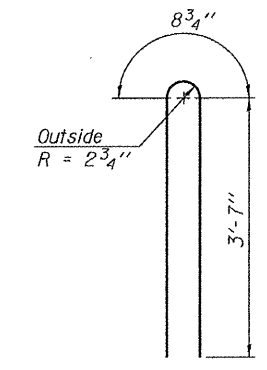
Inserts for $\frac{3}{4}$ " ϕ threaded dowel rods, when specified, are to be two strut, ferrule type for interior beams and single ferrule, flared loop type for exterior beams.
 Prestressing steel shall be uncoated high strength, low relaxation 7-wire strand, Grade 270. The nominal diameter shall be $\frac{1}{2}$ " and the nominal cross-sectional area shall be 0.153 sq. in.
 Reinforcement bars shall conform to ASTM A 706, Grade 60. (See Special Provisions).
 A minimum $2\frac{1}{2}$ " ϕ lifting pin shall be used to engage the lifting loops during handling.
 The top and bottom plates shall be AASHTO M270 Grade 50.
 The bottom plates and studs shall be galvanized according to AASHTO M111. Top plates and threaded rods need not be galvanized.
 Threaded rods shall be ASTM F 1554 Grade 55.



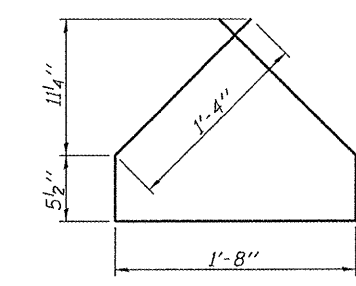
LIFTING LOOP DETAIL



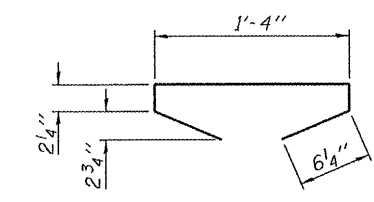
BAR G1



BAR G2



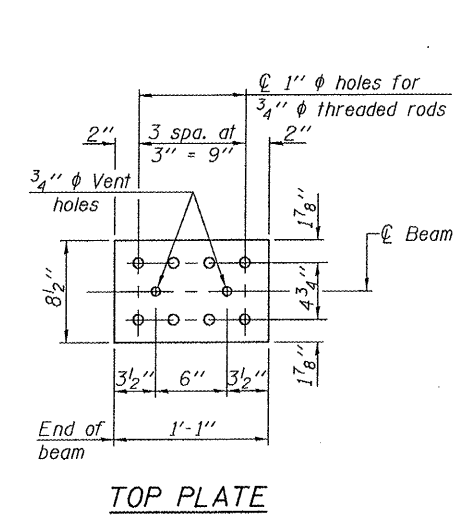
BAR G4



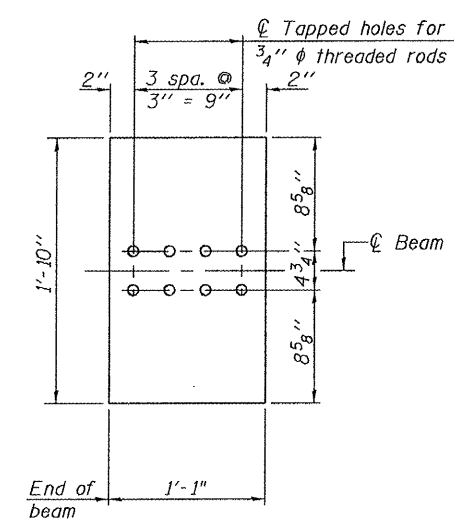
BAR G5

BILL OF MATERIAL

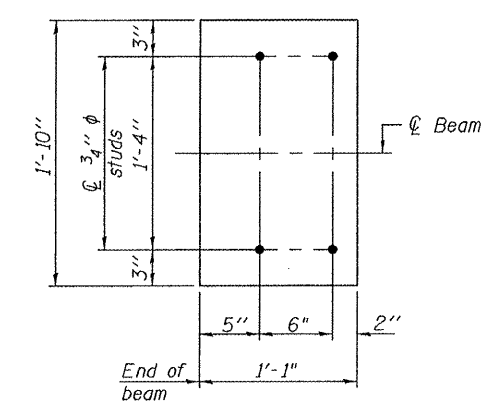
Item	Unit	Total
Furnishing and Erecting Precast Prestressed Concrete I-Beams, 48"	Ft.	357.5



TOP PLATE



BOTTOM PLATE (Showing threaded rods)



BOTTOM PLATE (Showing studs)

See bearing details for pintle hole locations when required.

**48" PPC I-BEAM DETAILS
STRUCTURE NUMBER 101-3102**

12/05/2011
 A:\03\1003\03R1808\CADD\Struct\Sheet\5-008-016-BeamDetail.dgn
 LAYOUT SWK 7/25/11
 DRAWN JDM 12/16/11
 REVIEWED SWK 12/16/11

PROFESSIONAL DESIGN FIRM LICENSE #184-001084

© Copyright Hanson Professional Services Inc. 2011

HANSON
Hanson Professional Services Inc.

JOB NO. 03R1808
DATE 12/16/11

SHEET NO. 8
13 SHEETS

F.A.S. RTE. 0052	SECTION 03-00324-00-BR	COUNTY Winnebago	TOTAL SHEETS 24	SHEET NO. 16
CONTRACT NO. 85552				
FED. ROAD DIST. NO. 2 ILLINOIS FED. AID PROJECT				