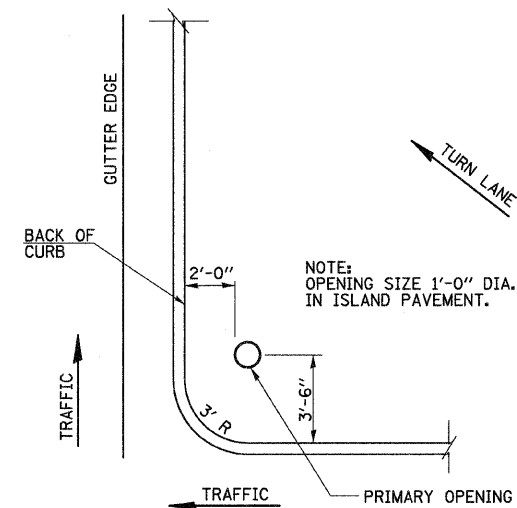
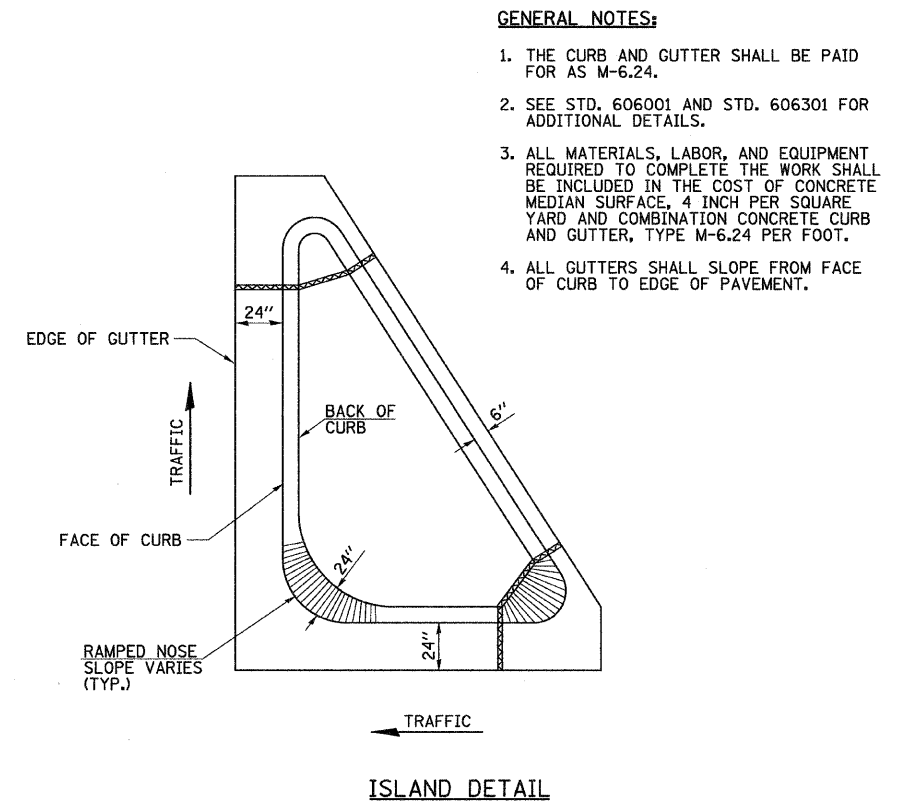


FIELD ENTRANCE DETAIL



ISLAND SIGN POST SPACING DETAIL

NOTE: THE ENGINEER SHALL DETERMINE THE NUMBER OF OPENINGS REQUIRED.



- GENERAL NOTES:**
1. THE CURB AND GUTTER SHALL BE PAID FOR AS M-6.24.
  2. SEE STD. 606001 AND STD. 606301 FOR ADDITIONAL DETAILS.
  3. ALL MATERIALS, LABOR, AND EQUIPMENT REQUIRED TO COMPLETE THE WORK SHALL BE INCLUDED IN THE COST OF CONCRETE MEDIAN SURFACE, 4 INCH PER SQUARE YARD AND COMBINATION CONCRETE CURB AND GUTTER, TYPE M-6.24 PER FOOT.
  4. ALL GUTTERS SHALL SLOPE FROM FACE OF CURB TO EDGE OF PAVEMENT.

FILE NAME = V:\2844\2844\002.dgn	USER NAME = bdeoraene	DESIGNED -	REVISED -
		DRAWN -	REVISED -
		CHECKED -	REVISED -
		DATE -	REVISED -

STATE OF ILLINOIS  
DEPARTMENT OF TRANSPORTATION

F.A.S. RTE. 258 (C.H. 2) & U.S. RTE. 52 (N. 38TH RD.)  
ENTRANCE & SPECIAL DETAILS

SCALE: N/A SHEET NO. 1 OF 3 SHEETS STA. N/A TO STA. N/A

F.A.S. RTE. 258	SECTION 11-00325-00-SP	COUNTY LA SALLE	TOTAL SHEETS 84	SHEET NO. 47
FED. ROAD DIST. NO. ILLINOIS FED. AID PROJECT			CONTRACT NO. 87479	