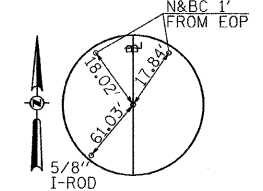


POT STA 15+00.00  
RR-SPIKE



POT STA 25+00.09  
RR-SPIKE

T 29 N, R 13 W, 2nd PM  
SECTION 35

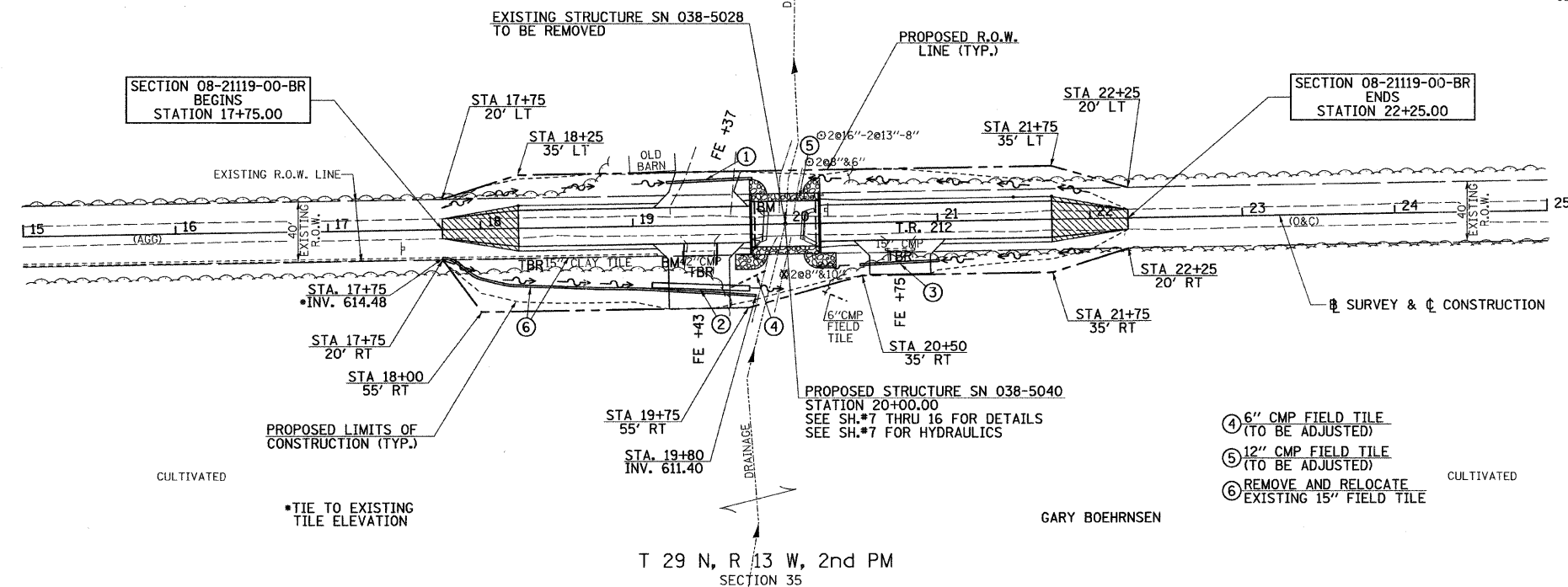
MAUE INVESTMENTS, LLC

GARY BOEHRNSEN

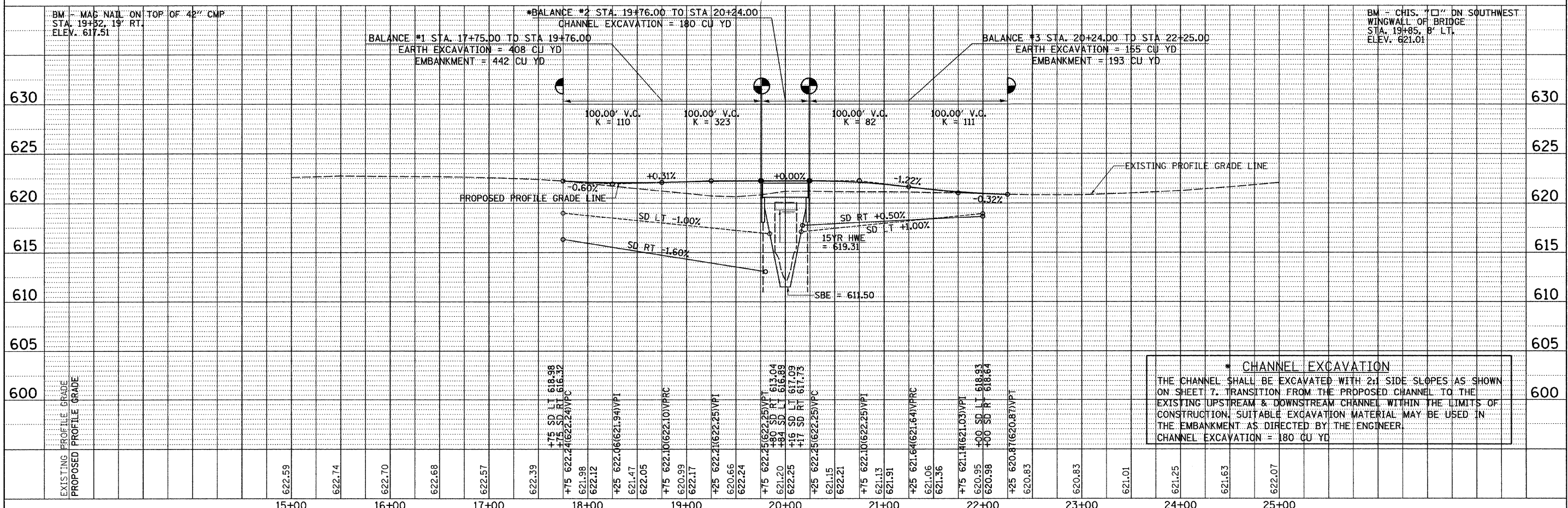
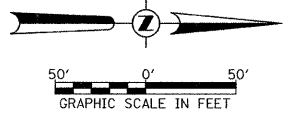
- 1 PROPOSED PIPE CULVERT  
CLASS D, TYPE 1, 15"x56"  
USFL 617.50, STA 19+22.55, 28.5' LT  
DSFL 616.94, STA 19+78.53, 30.3' LT
- 2 PROPOSED PIPE CULVERT  
CLASS D, TYPE 1, 42"x64"  
USFL 614.13, STA 19+12.05, 38.9' RT  
DSFL 613.10, STA 19+75.97, 42.2' RT
- 3 PROPOSED PIPE CULVERT  
CLASS D, TYPE 1, 15"x52"  
USFL 618.14, STA 21+00.73, 26.0' RT  
DSFL 617.88, STA 20+48.76, 27.7' RT

LEGEND

- TRANSITION TO OR FROM EXISTING TO PROPOSED TYPICAL PAVEMENT
- PROPOSED RIPRAP PLACEMENT
- SPECIAL DITCH WITH FLOW DIRECTION



T 29 N, R 13 W, 2nd PM  
SECTION 35



**CHANNEL EXCAVATION**  
THE CHANNEL SHALL BE EXCAVATED WITH 2:1 SIDE SLOPES AS SHOWN ON SHEET 7. TRANSITION FROM THE PROPOSED CHANNEL TO THE EXISTING UPSTREAM & DOWNSTREAM CHANNEL WITHIN THE LIMITS OF CONSTRUCTION. SUITABLE EXCAVATION MATERIAL MAY BE USED IN THE EMBANKMENT AS DIRECTED BY THE ENGINEER.  
CHANNEL EXCAVATION = 180 CU YD

DATE	
BY	
PLAN	
NO.	
NO.	
NO.	
NO.	
NO.	

DATE	
BY	
PROFILE	
NO.	
NO.	
NO.	
NO.	
NO.	

FILE NAME = V:\Brdge\2968-Iroquois\2968P001.dgn	USER NAME = cthomas	DESIGNED -	REVISED -	<b>IROQUOIS COUNTY TOWNSHIP ROAD 212 OVER DRAINAGE DITCH</b>	<b>PLAN AND PROFILE</b>				RTE	SECTION	COUNTY	TOTAL SHEETS	SHEET NO.	
PLOT SCALE = 5/8" = 1' IN.	CHECKED -	REVISED -	REVISED -		SCALE: 1"=50'	SHEET NO. 1 OF 1 SHEETS	STA. 17+75.00 TO STA. 22+25.00	FED. ROAD DIST. NO. 7 ILLINOIS	FED. AID PROJECT BROS-0075147	TR 212	08-21119-00-BR	IROQUOIS	24	6
PLOT DATE = 9/29/2011	DATE -	REVISED -	REVISED -						CONTRACT NO. 87501					