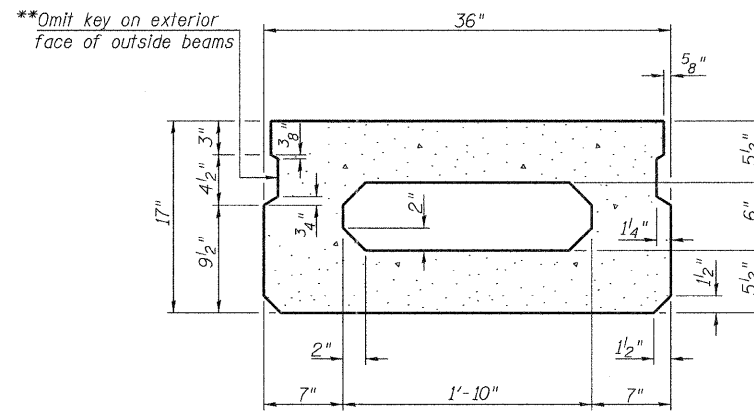
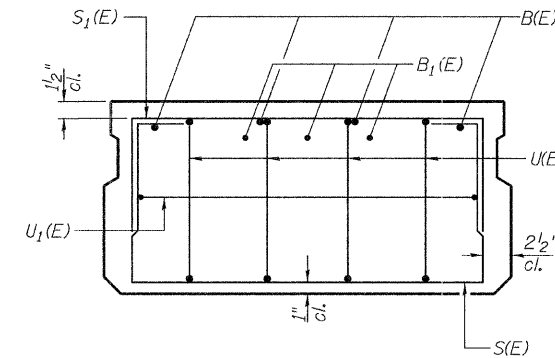


SECTION C-C

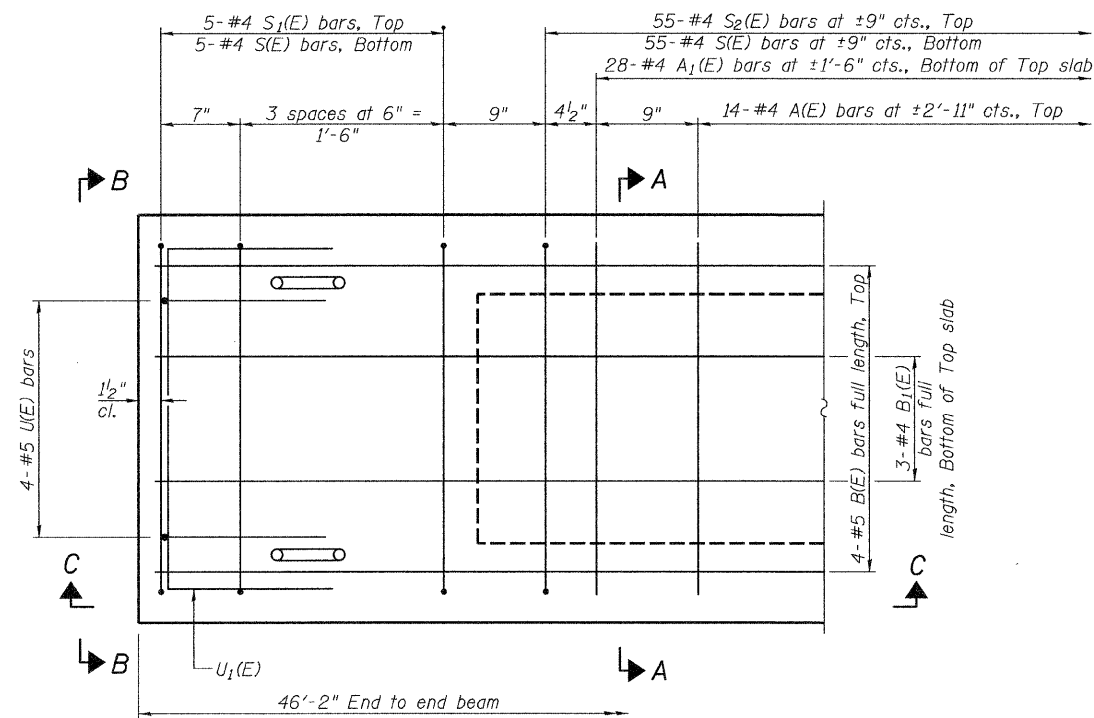


SECTION A-A
(Showing dimensions)



VIEW B-B

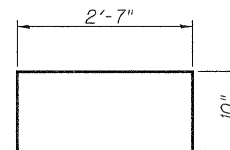
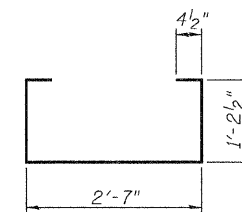
**Rail post anchor devices (Sheet 4 of 10) to be cast into exterior face of outside beams.



PLAN VIEW

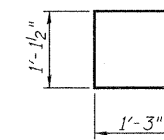
MINIMUM BAR LAP
#4 bar = 2'-0"
#5 bar = 2'-6"

Note: Spacing of S(E) and S2(E) bars may be adjusted up to 4" in the immediate area of the transverse tie diaphragms to miss the block outs for the transverse ties.

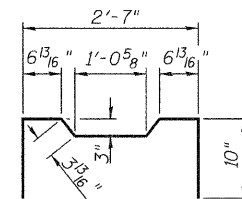


BAR S1(E)

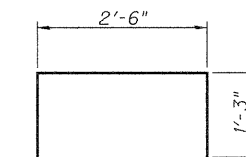
BAR S(E)



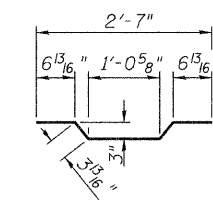
BAR U(E)



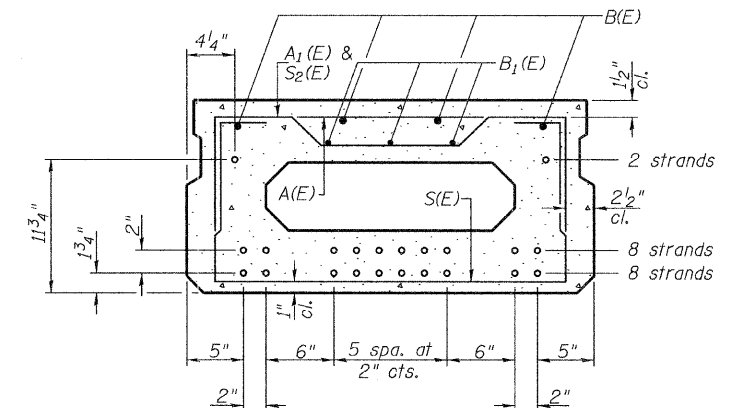
BAR S2(E)



BAR U1(E)



BAR A1(E)



SECTION A-A

18-1/2" Strands Each Strand Stressed to 30,900 Lbs.
8-Strands 1 3/4" up, 8-Strands 3 3/4" up, 2-Strands 11 3/4" up

Note: Place the number of strands specified in each row symmetrically about the centerline of beam in the permissible strand locations shown.

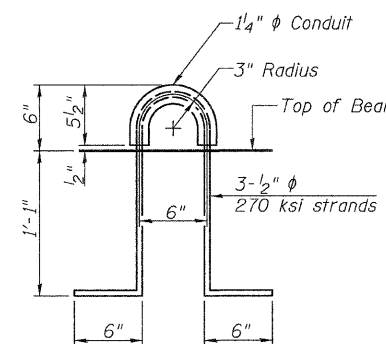
BAR LIST-ONE BEAM ONLY

(For information only)

Bar	No.	Size	Length	Shape
A(E)	14	#4	2'-7"	—
A1(E)	28	#4	2'-10"	—
B(E)	4	#5	*45'-11"	—
B1(E)	3	#4	*45'-11"	—
S(E)	65	#4	5'-9"	□
S1(E)	10	#4	4'-3"	□
S2(E)	55	#4	4'-6"	□
U(E)	8	#5	3'-8"	□
U1(E)	2	#4	5'-0"	□

* Total Length, Lap as necessary

Note: See sheet 2 of 10 for additional details and Bill of Material.



LIFTING LOOP DETAIL

SUPERSTRUCTURE DETAILS
IROQUOIS COUNTY
SECTION 08-2119-00-BR
T.R. 212 OVER DRAINAGE DITCH

SHEET NO. 3 10 SHEETS	ROUTE NO. TR 212	SECTION 08-2119-00-BR	COUNTY IROQUOIS	TOTAL SHEETS 24	SHEET NO. 9
	S.N. 038-5040		CONTRACT NO. 87501		
FED. ROAD DIST. NO. 7 ILLINOIS		FED. AID PROJECT BR05-0075(147)			