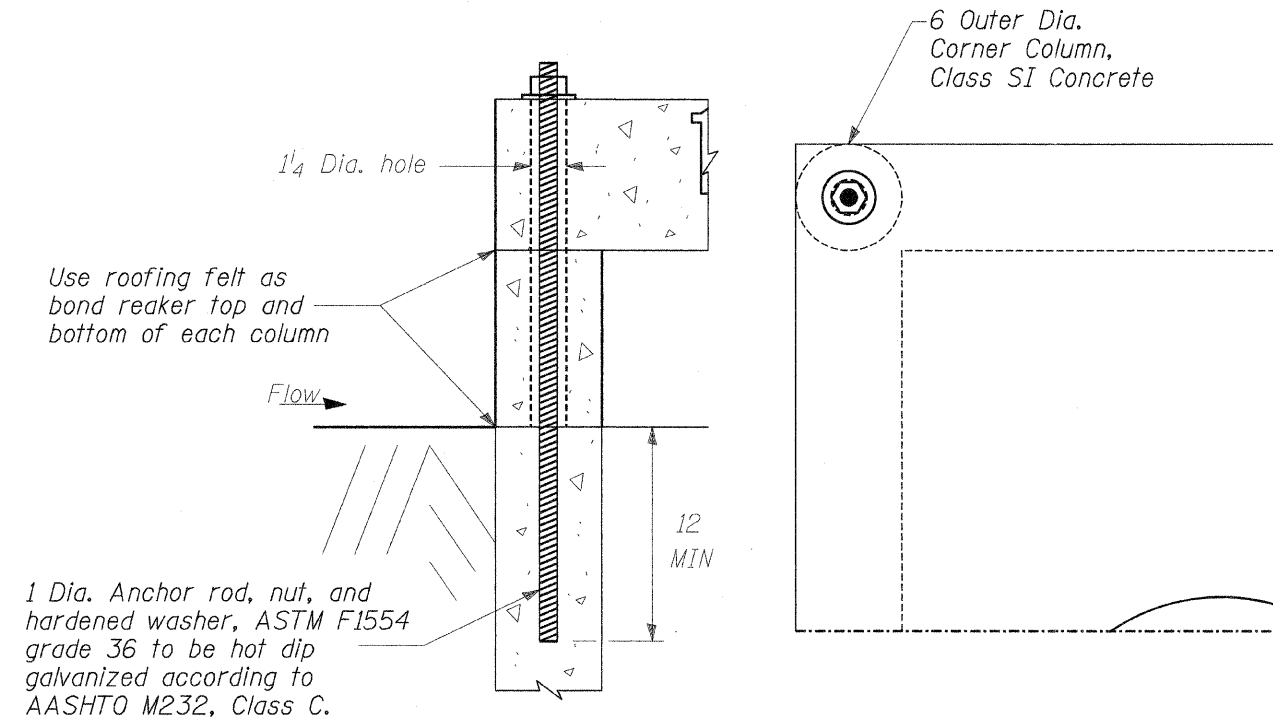


S:\HODATA\OwrPlanning\Drawings\Illinois\Blackberry_Creek\CAD\Owr_COE_plans\206-602701-01_DrainStruc_Owr_IDOT_STD.dgn

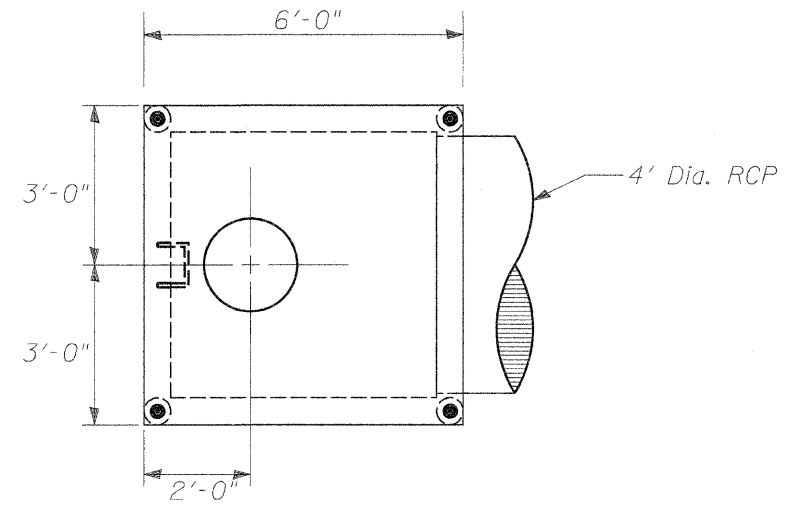
9:32:06 AM

12/2/2011

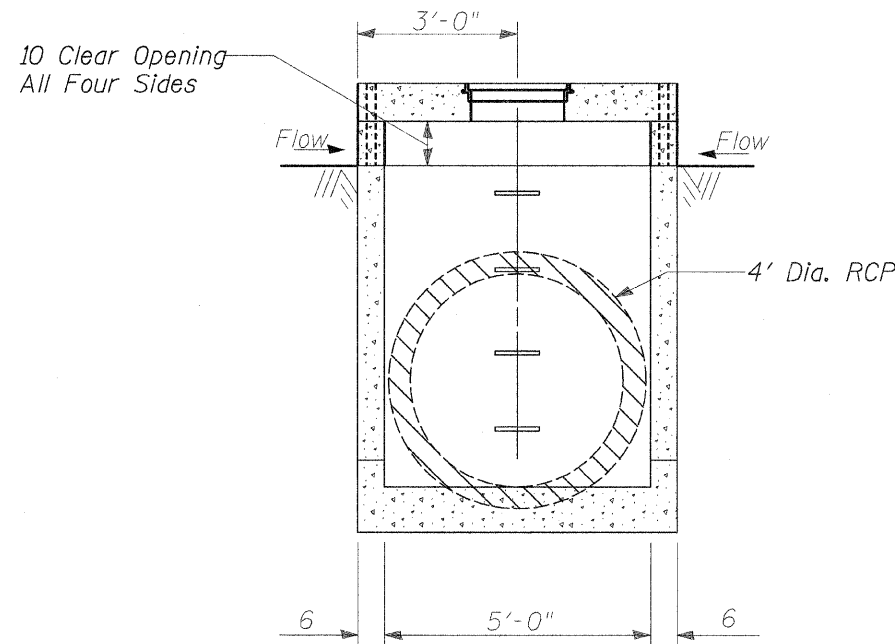
Designed By BAW Checked By TMM
Drawn By BAW Checked By TMM



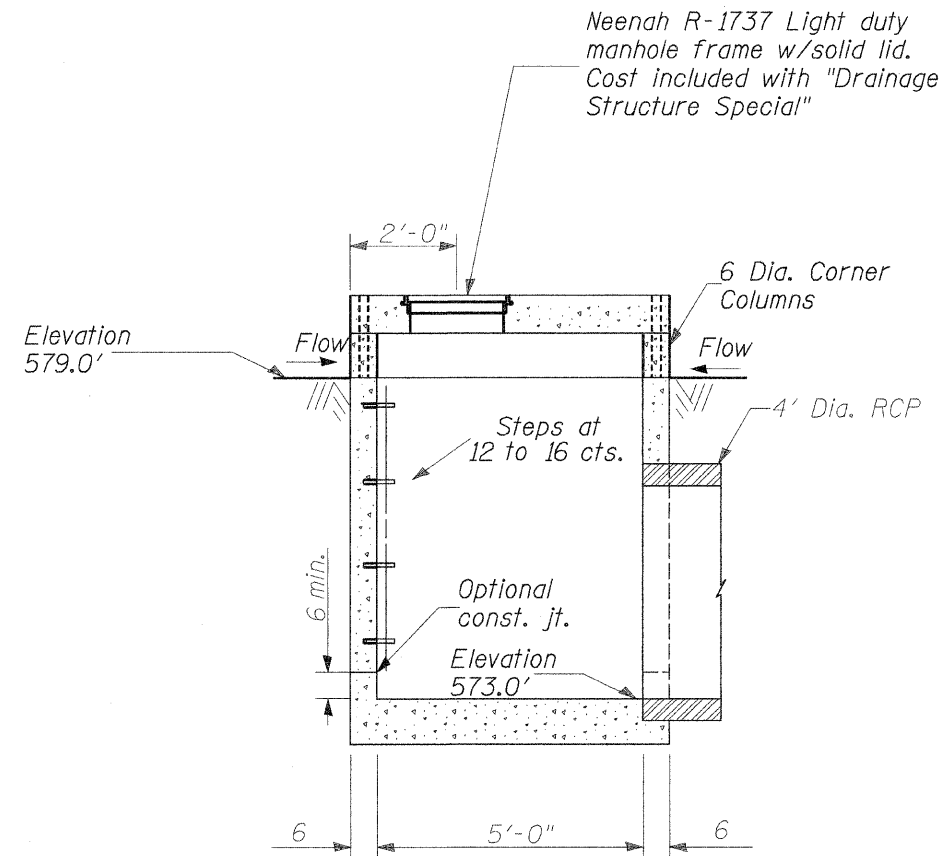
CORNER DETAIL



PLAN



FRONT ELEVATION



SIDE ELEVATION

GENERAL NOTES

- 1) Reinforcement bars shall conform to the requirements of ASTM GR.60. See Special Provisions.
- 2) Precast alternative is not allowed.
- 3) Class SI concrete shall be used throughout.
- 4) The Contractor shall verify that the soils bearing capacity is not less than 2,300 psf, notify the Engineer if less than 2,300 psf.
- 5) Concrete shall have a minimum compressive strength f_c' of 3,500 psi.
- 6) Unless otherwise noted all construction joints shall be bonded.
- 7) See Standard 602701 for details of steps.
- 8) Exposed edges shall be beveled $\frac{3}{4}$ ".
- 9) All dimensions are in inches unless otherwise shown.

CONTRACT NO. 87509