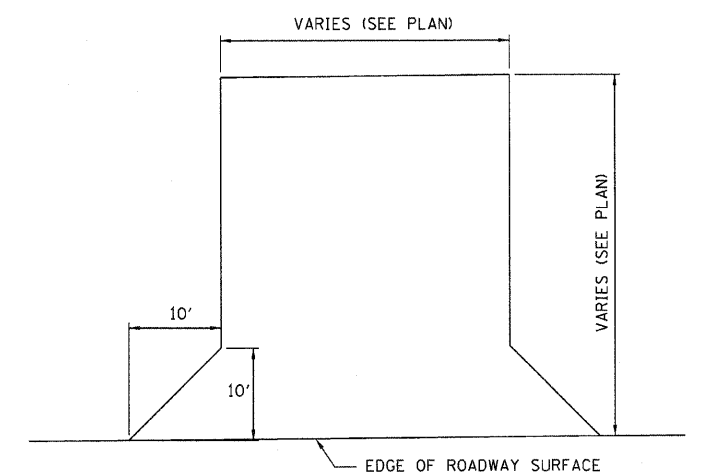
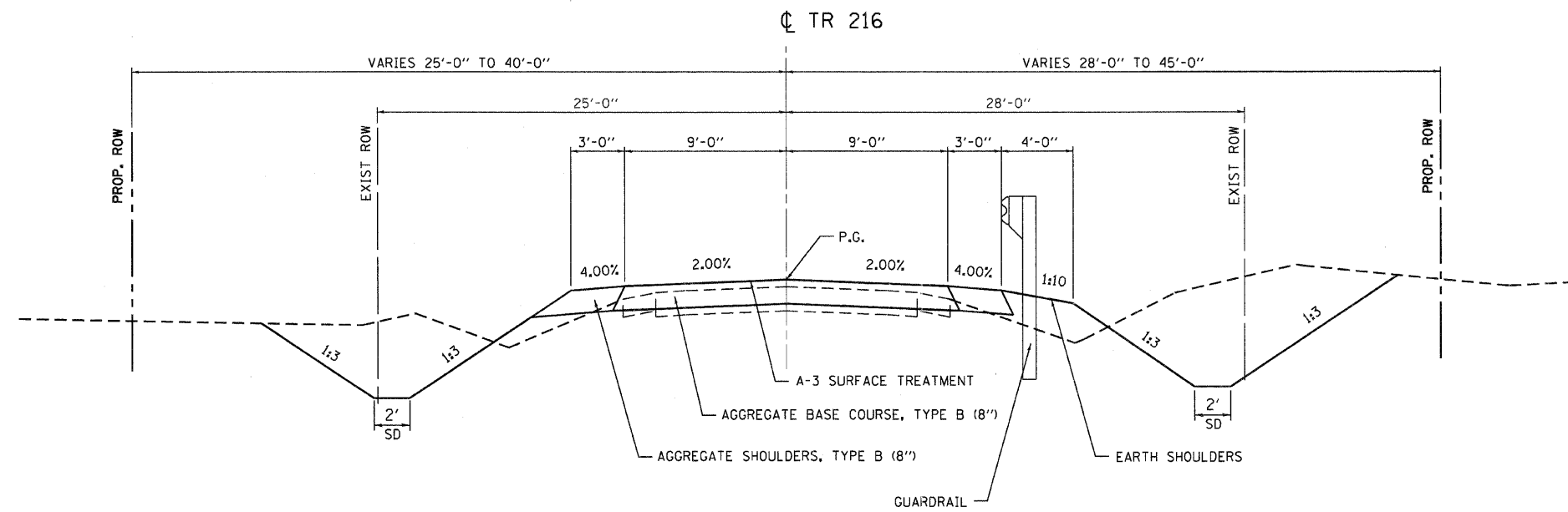


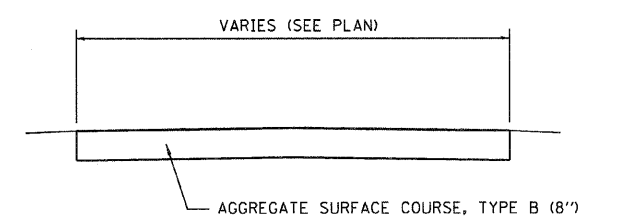
EXISTING TYPICAL SECTION
STA. 7+65.00 TO STA. 13+00.00



TYPICAL ENTRANCE PLAN
STA. 8+10.00, LT.
STA. 11+28.00, RT.
STA. 11+50.00, LT.
STA. 12+36.00 RT.



PROPOSED TYPICAL SECTION
STA. 7+65.00 TO STA. 12+75.00



TYPICAL SECTION THRU ENTRANCE

- NOTE:
1. TRANSITION FROM EXISTING ROADWAY TO PROPOSED ROADWAY TO BE CONSTRUCTED FROM STA. 7+65.00 TO STA. 8+15.00 AND FROM STA. 12+25.00 TO STA. 12+75.00.
 2. SEE PLAN AND PROFILE SHEET FOR GUARDRAIL LOCATIONS.

I:\jobs\christiancounty\7166 tr 126 over buckhart creek\cadd\cadd sheets\0607166-sht-typical.dgn

USER NAME = dhebarling	DESIGNED - TJZ	REVISED
	DRAWN - DLH	REVISED
PLOT SCALE = 0.160,000 1' / IN.	CHECKED - SDS	REVISED
PLOT DATE = 11/14/2011	DATE - 2/22/11	REVISED

WHKS & CO.
ENGINEERING
7018 KINGSMILL CT.,
SPRINGFIELD, IL
(217) 483-9457
DESIGN FIRM #184001036

STATE OF ILLINOIS
DEPARTMENT OF TRANSPORTATION

TYPICAL SECTIONS AND DETAILS			
SCALE:	SHEET NO. OF SHEETS	STA. TO STA.	

T.R. RTE.	SECTION	COUNTY	TOTAL SHEETS	SHEET NO.
216	08-16112-00-BR	CHRISTIAN	26	3
FED. ROAD DIST. NO. ILLINOIS FED. AID PROJECT			CONTRACT NO. 9359	