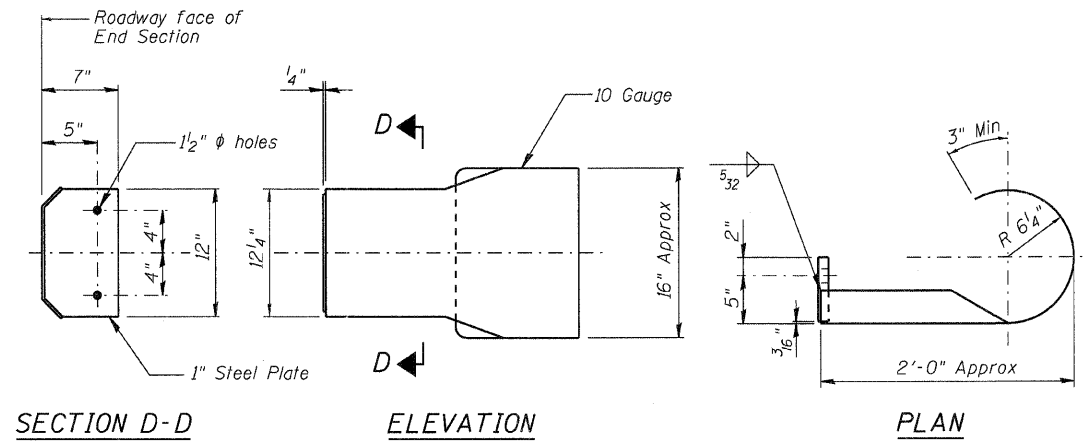


I:\jobs\christiancounty\7166 -r 126 over buckhart creek\cadd\cadd sheets\0113418-00000.dgn



DETAILS OF CURLED END SECTION

(Cost included with Steel Railing, Type S-1)
No. required = 2

USER NAME - dheberling	DESIGNED - TJZ	REVISED
	DRAWN - DLH	REVISED
PLOT SCALE = 0.10000 '1' / IN.	CHECKED - SDS	REVISED
PLOT DATE = 11/14/2011	DATE - 8/25/11	REVISED



7018 KINGSMILL CT.,
SPRINGFIELD, IL
(217) 483-9457
DESIGN FIRM #184001036

**STATE OF ILLINOIS
DEPARTMENT OF TRANSPORTATION**

RAIL TERMINAL DETAILS	
TR 216 OVER BUCKHART CREEK	
SCALE:	§ STA.
SHEET NO. 5 OF 9 SHEETS	

T.R. RTE.	SECTION	COUNTY	TOTAL SHEETS	SHEET NO.
216	08-16112-00-BR	CHRISTIAN	26	9
S.N. - 011-3418		CONTRACT	9359	
FED. ROAD DIST. NO.		ILLINOIS FED. AID PROJECT		