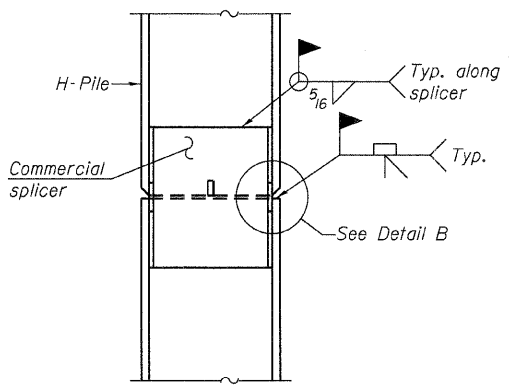
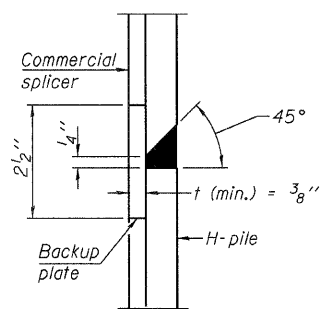


STEEL PILE TABLE

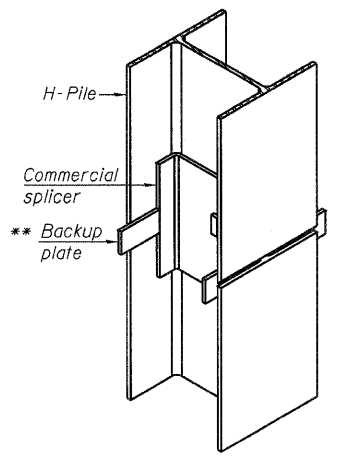
Designation	Depth d	Flange width br	Web and Flange thickness t	Encasement diameter A
HP 14x117	14 1/4"	14 7/8"	13/16"	30"
x102	14"	14 3/4"	11/16"	30"
x89	13 7/8"	14 3/4"	5/8"	30"
x73	13 5/8"	14 5/8"	1/2"	30"
HP 12x84	12 1/4"	12 1/4"	11/16"	24"
x74	12 1/8"	12 1/4"	5/8"	24"
x63	12"	12 1/8"	1/2"	24"
x53	11 3/4"	12"	7/16"	24"
HP 10x57	10"	10 1/4"	9/16"	24"
x42	9 3/4"	10 1/8"	7/16"	24"
HP 8x36	8"	8 1/8"	7/16"	18"



ELEVATION

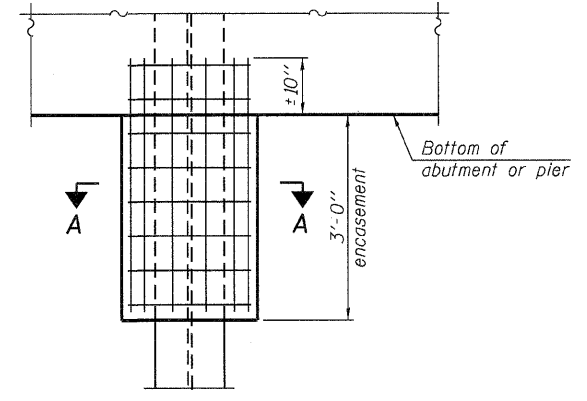


DETAIL "B"



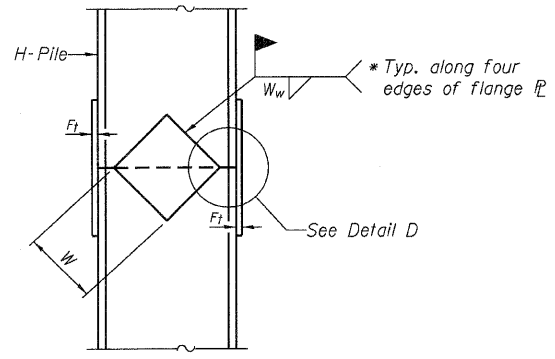
ISOMETRIC VIEW

WELDED COMMERCIAL SPLICE



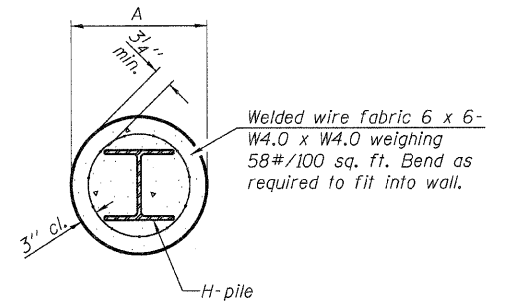
ELEVATION

PILE ENCASEMENT



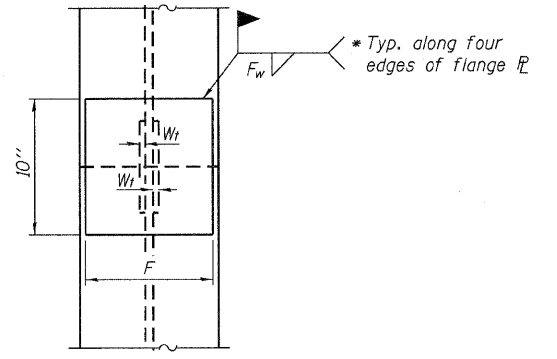
ELEVATION

DETAIL D

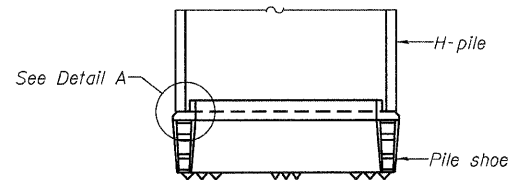


Note: Forms for encasement may be omitted when soil conditions permit.

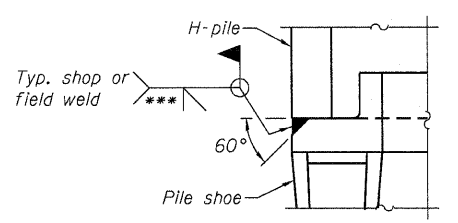
SECTION A-A



END VIEW

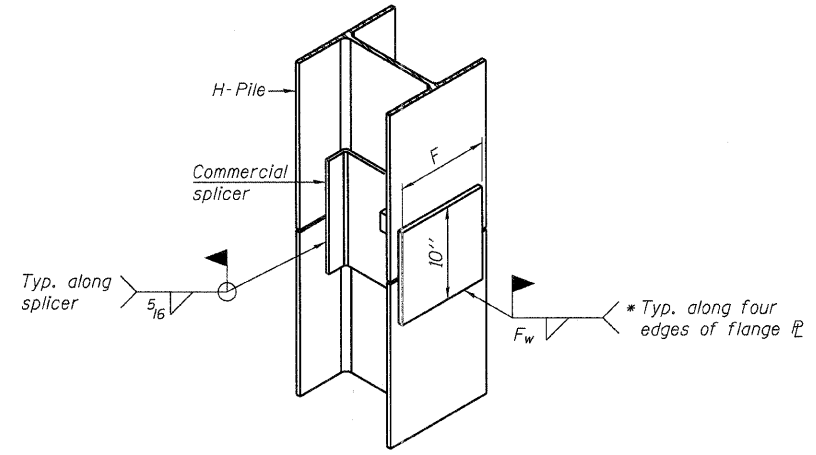


ELEVATION



DETAIL A

H-PILE SHOE ATTACHMENT



ISOMETRIC VIEW

WELDED PLATE FIELD SPLICE

Designation	F	F _t	F _w	W	W _t	W _w
HP 14x117	12 1/2"	1"	7/8"	7 3/4"	5/8"	1/2"
x102	12 1/2"	7/8"	3/4"	7 3/4"	5/8"	1/2"
x89	12 1/2"	3/4"	11/16"	7 3/4"	5/8"	1/2"
x73	12 1/2"	5/8"	9/16"	7 3/4"	5/8"	1/2"
HP 12x84	10"	7/8"	11/16"	6 1/2"	5/8"	1/2"
x74	10"	7/8"	11/16"	6 1/2"	5/8"	1/2"
x63	10"	5/8"	1/2"	6 1/2"	1/2"	3/8"
x53	10"	5/8"	1/2"	6 1/2"	1/2"	3/8"
HP 10x57	8"	3/4"	9/16"	5 1/4"	1/2"	3/8"
x42	8"	5/8"	9/16"	5 1/4"	1/2"	3/8"
HP 8x36	7"	5/8"	7/16"	4 1/4"	1/2"	3/8"

WELDED COMMERCIAL SPLICE ALTERNATE

- * Interrupt welds 1/4" from end of web and/or each flange.
- ** Remove portions of backup plates that extend outside the flanges.
- *** Weld size per pile shoe manufacturer (5/16" min.).

Note: The steel H-piles shall be according to AASHTO M270 Grade 50.

I:\jobs\christian\count\7166 tr-126 over buckhart creek\cadd\cadd sheets\0113418-000000.dgn

F-HP 7-1-10

USER NAME = dheberling	DESIGNED - TJZ	REVISED
DRAWN - DLH	REVISOR	
CHECKED - SDS	REVISOR	
DATE = 11/14/2011	DATE = 8/25/11	REVISED

WHKS & CO.
ENGINEERING
7018 KINGSMILL CT.,
SPRINGFIELD, IL
(217) 483-9457
DESIGN FIRM #184001036

STATE OF ILLINOIS
DEPARTMENT OF TRANSPORTATION

STEEL H-PILE DETAILS

TR 216 OVER BUCKHART CREEK

SCALE: SHEET NO. 7 OF 9 SHEETS © STA.

T.R. RTE. 216	SECTION 08-16112-00-BR	COUNTY CHRISTIAN	TOTAL SHEETS 26	SHEET NO. 11
S.N. - 011-3418		CONTRACT	93559	
FED. ROAD DIST. NO.		ILLINOIS FED. AID PROJECT		