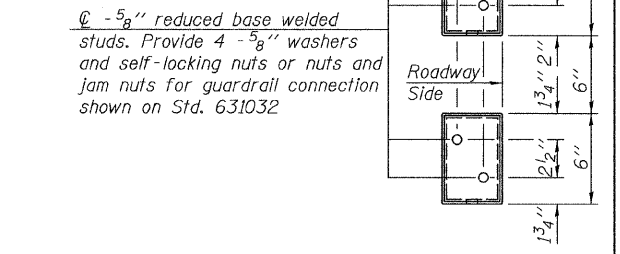
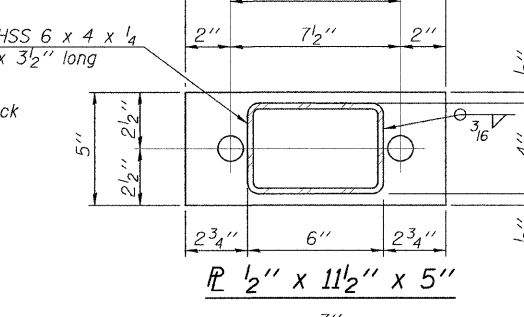
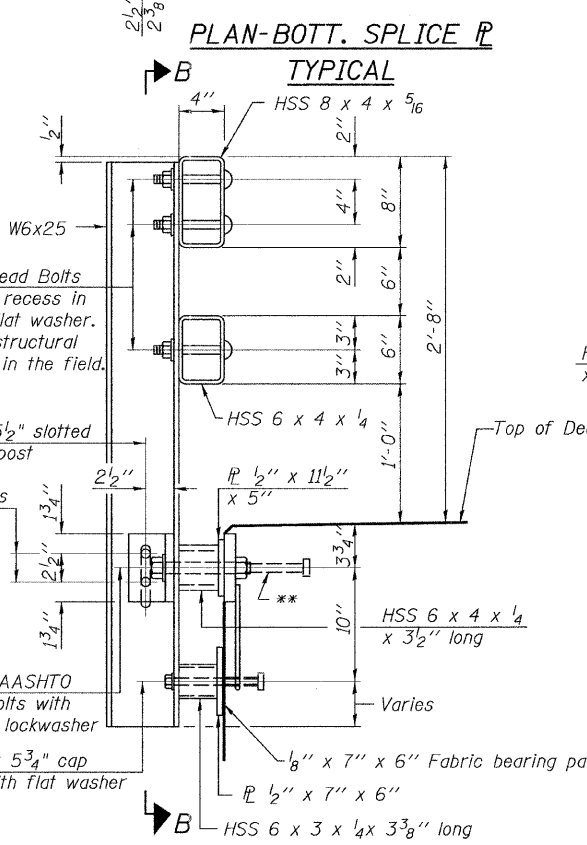
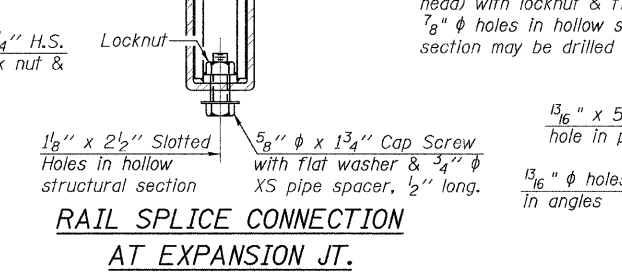
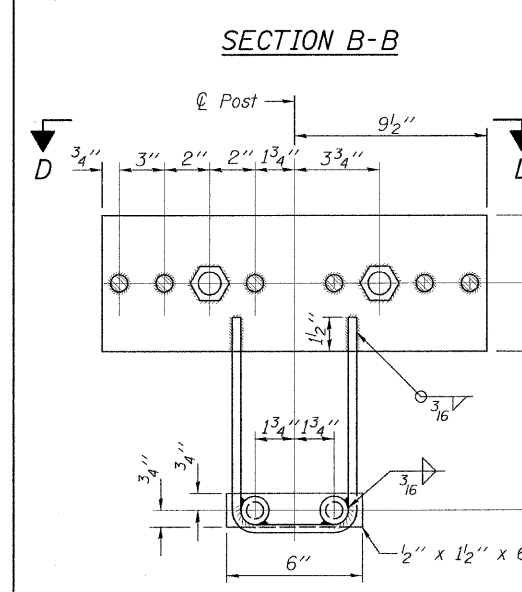
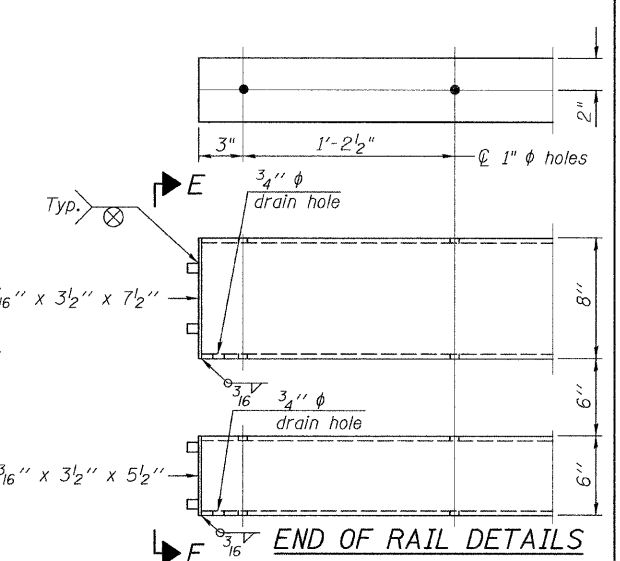
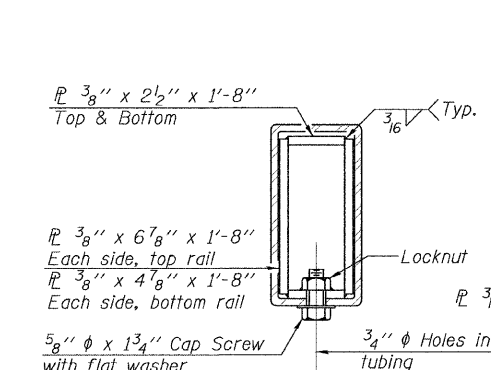
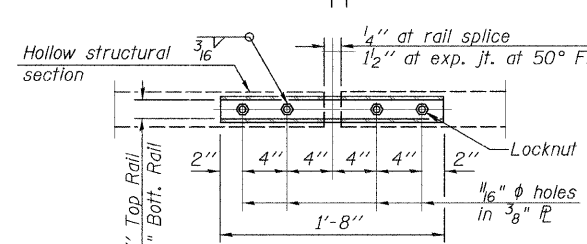
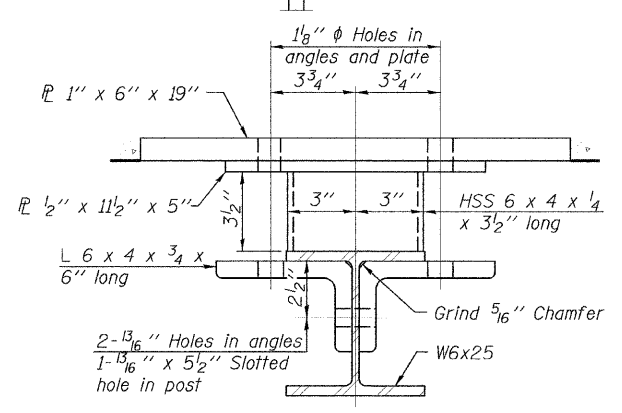
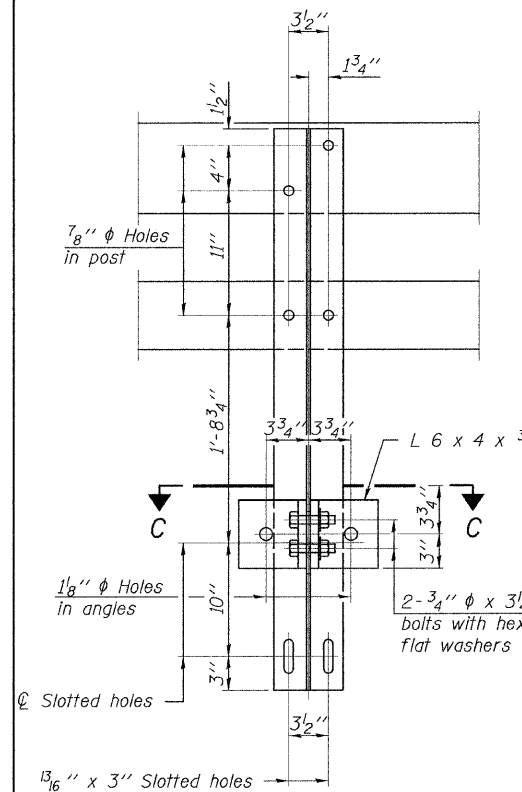
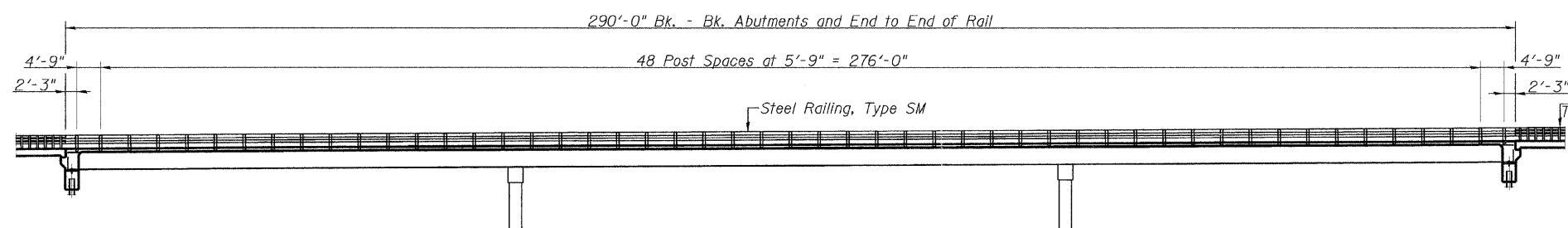


F.A.S. RTE.	SECTION	COUNTY	TOTAL SHEETS	SHEET NO.
733	06-00088-00-BR	MACOUPIN	35	15
FED. ROAD DIST. NO.		ILLINOIS FED. AID PROJECT		
		CONTRACT NO.		



Notes:
 All field drilled holes shall be coated with an approved zinc rich paint before erection.
 For multi-span bridges, sufficient 1/4" x 6" x 1'-2" galvanized steel shims shall be provided to align rail between adjacent spans. Cost included with Steel Bridge Rail, Type SM.
 All steel rail members shall be galvanized according to Article 509.05 of the Standard Specifications.
 ** The studs of the anchor devices shall be placed below the top reinforcement bars and the outermost longitudinal reinforcement bar shall be placed directly above the studs of the rail post anchor device.

BILL OF MATERIAL

Item	Unit	Quantity
Steel Railing, Type SM	Foot	580

* Threaded areas shall be plugged or blocked off during casting of beam. Galvanized after fabrication.

FILE NAME =	USER NAME = #USER#	DESIGNED -	REVISED -
#FILE#		DRAWN -	REVISED -
		CHECKED -	REVISED -
		DATE -	REVISED -

Allen Henderson & Associates, Inc.
 Civil and Structural Engineers Springfield, IL
 62703 Phone: (217)544-8033 IL Design Firm
 No. 184-001907

RAILING

SCALE: NONE STA. TO STA.

F.A.S. RTE.	SECTION	COUNTY	TOTAL SHEETS	SHEET NO.
733	06-00088-00-BR	MACOUPIN	35	15
FED. ROAD DIST. NO.		ILLINOIS FED. AID PROJECT		
		CONTRACT NO. 93562		