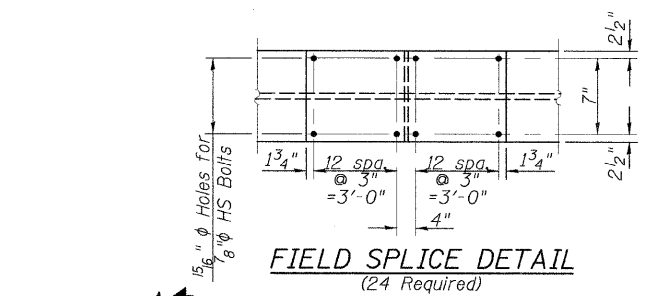
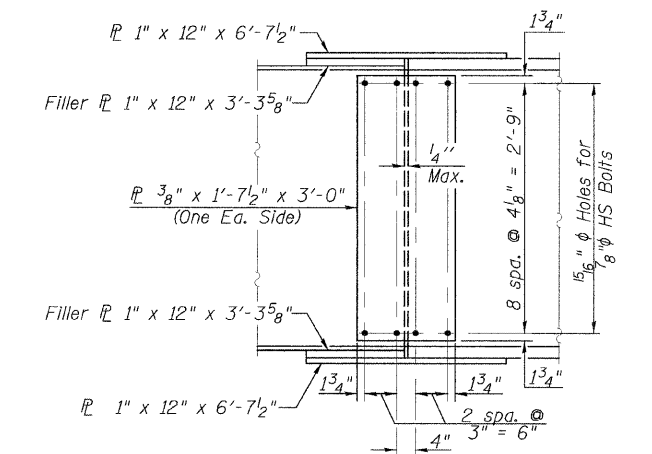
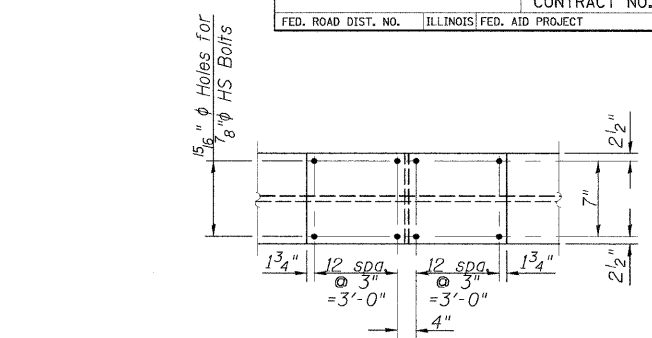
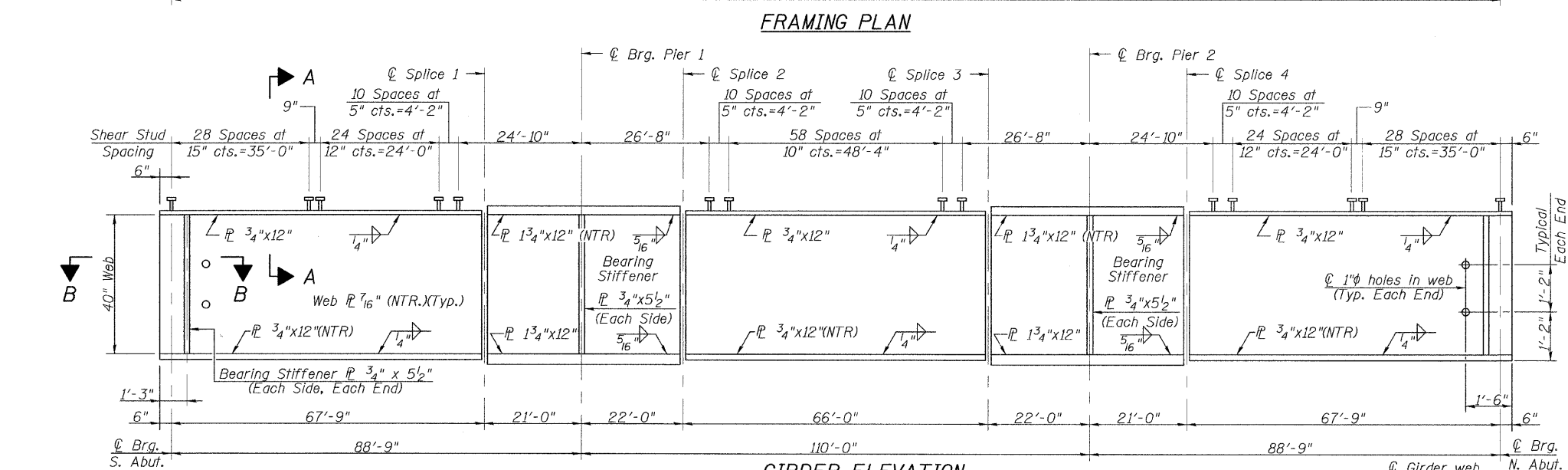
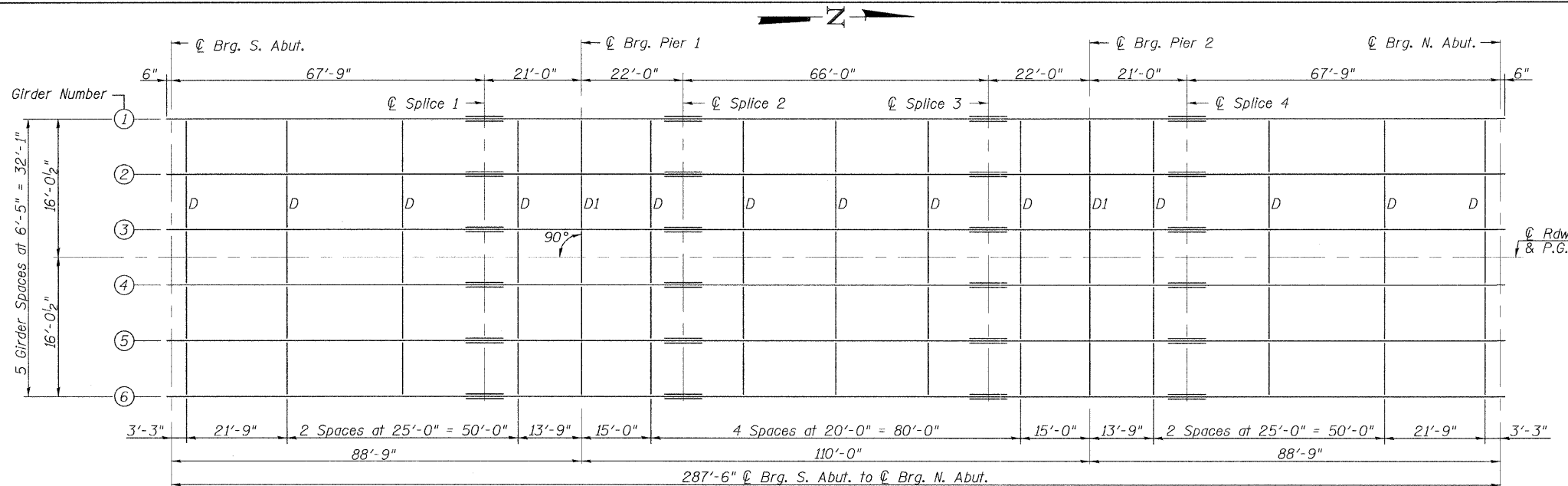
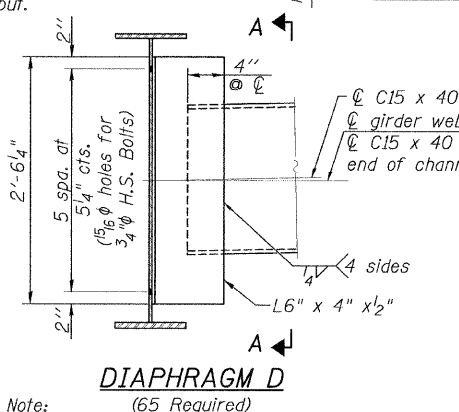
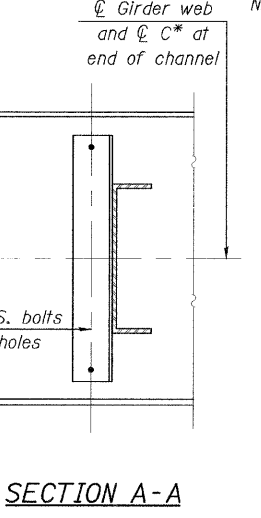
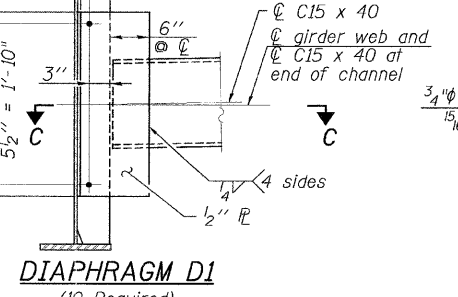
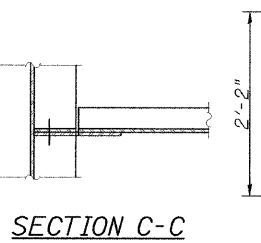
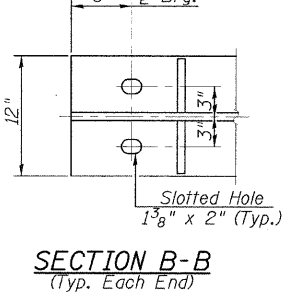
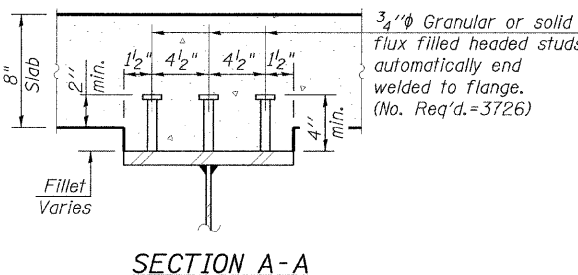


| | | | | |
|---------------------|----------------|---------------------------|--------------|--------------|
| F.A.S. RTE. | SECTION | COUNTY | TOTAL SHEETS | SHEET NO. |
| 733 | 06-00088-00-BR | MACOUPIN | 35 | 16 |
| FED. ROAD DIST. NO. | | ILLINOIS FED. AID PROJECT | | CONTRACT NO. |
| | | | | 9.3562 |

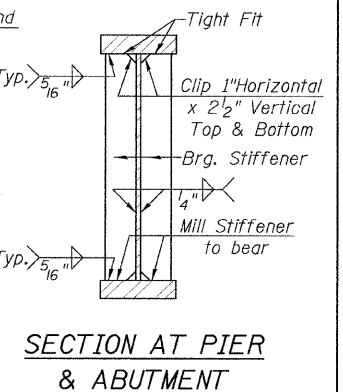


Note:
Two hardened washers required for each set of oversized holes.
* 3/4" φ HS bolts, 15/16" φ holes

Note:
Load carrying components designated "NTR" shall conform to the Supplemental Requirements for Notch Toughness, Zone 2.
All girders, diaphragms, bearing stiffeners, connection plates and splice plate material shall be AASHTO M 270, Grade 50.



Note:
Two hardened washers required for each set of oversized holes.
* Alternate channels are permitted to facilitate material acquisition. Calculated weight of structural steel is based on the lighter section. The alternate, if utilized, shall be provided at no additional cost to the Department.



| | | | | | | | | | | | |
|-------------|----------------------|------------|-----------|--|--------------------------|----------------|---------------------------|---------|--------------|--------------|-----------|
| FILE NAME = | USER NAME = #USER# | DESIGNED - | REVISED - | Allen Henderson & Associates, Inc. Civil and Structural Engineers Springfield, IL. 62703 Phone: (217)544-8033 IL Design Firm No. 184-001907 | STRUCTURAL STEEL DETAILS | | F.A.S. RTE. | SECTION | COUNTY | TOTAL SHEETS | SHEET NO. |
| #FILE# | PLOT SCALE = #SCALE# | DRAWN - | REVISED - | | 733 | 06-00088-00-BR | MACOUPIN | 35 | 16 | | |
| | PLOT DATE = #DATE# | CHECKED - | REVISED - | | FED. ROAD DIST. NO. | | ILLINOIS FED. AID PROJECT | | CONTRACT NO. | | |
| | | DATE - | REVISED - | | | | | | 9.3562 | | |
| | | | | | SCALE: NONE | | STA. | | TO STA. | | |