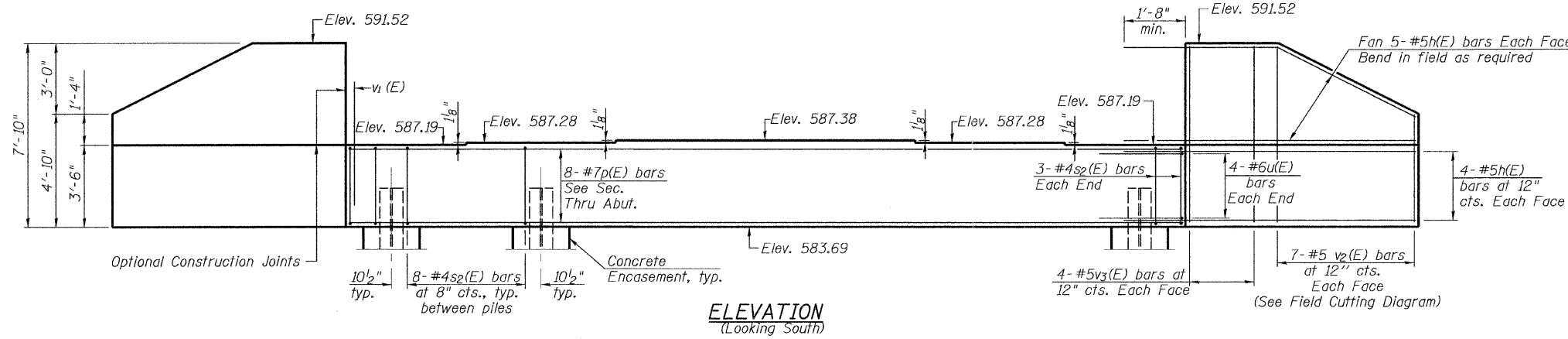


Notes: Pour steps monolithically with cap.
Space reinforcement in cap to miss anchor bolts.

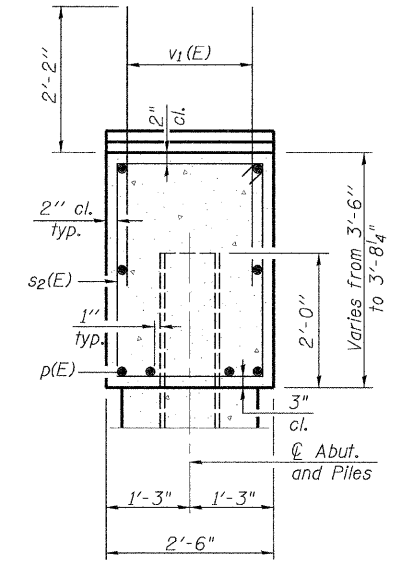
PILE DATA

Type: HP 12x53
Nominal Required Bearing: 419 kips
Factored Resistance Available: 210 kips
Est. Length: 27 ft.
No. Production Piles: 5
No. Test Piles: 1

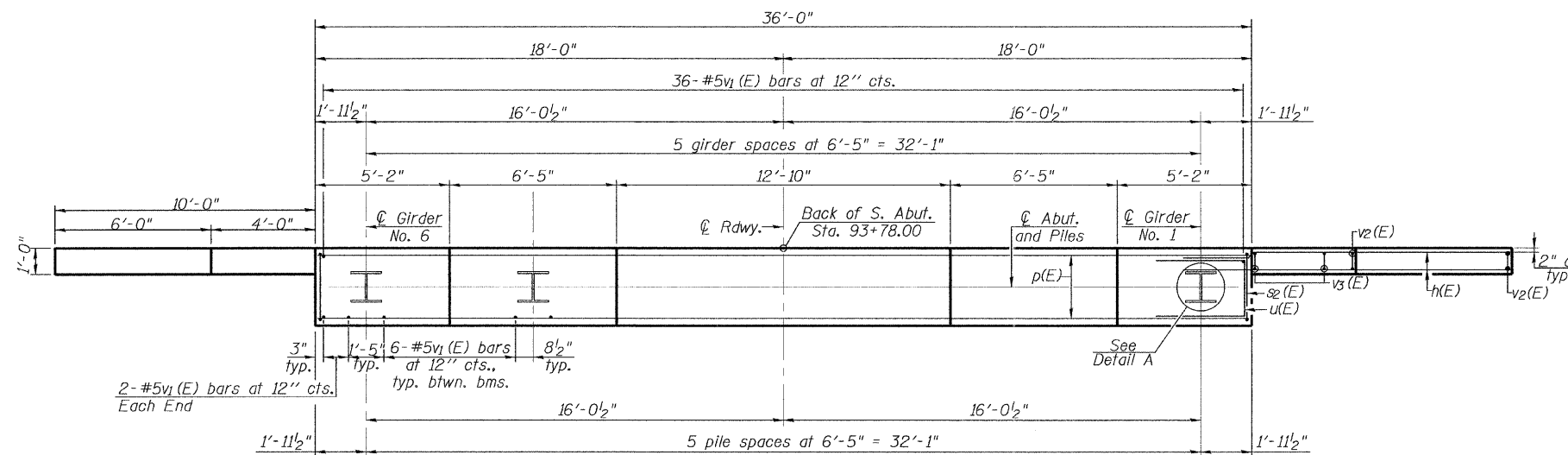
F.A.S. RTE.	SECTION	COUNTY	TOTAL SHEETS	SHEET NO.
733	06-00088-00-BR	MACOUPIN	35	19
FED. ROAD DIST. NO.		ILLINOIS FED. AID PROJECT		
		CONTRACT NO.		



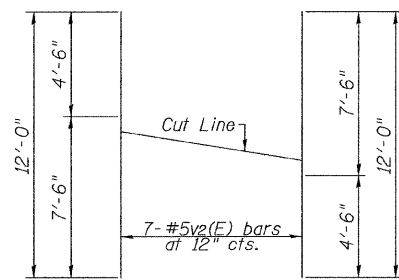
ELEVATION
(Looking South)



SEC. THRU ABUT.

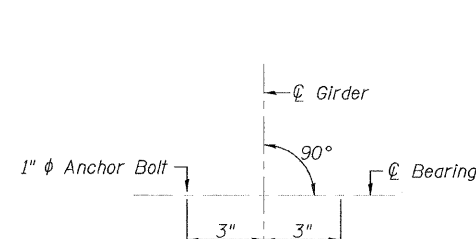


PLAN

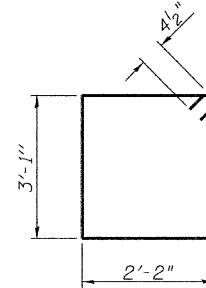


FIELD CUTTING DIAGRAM

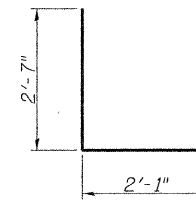
Order v2(E) full length. Cut as shown and use remainder of bars in opposite face.



DETAIL A



BAR s2(E)



BAR u(E)

**SOUTH ABUTMENT
BILL OF MATERIAL**

Bar	No.	Size	Length	Shape
h(E)	36	#5	12'-6"	—
p(E)	8	#7	35'-8"	—
s2(E)	46	#4	11'-3"	□
u(E)	8	#6	7'-3"	—
v1(E)	70	#5	4'-4"	—
v2(E)	14	#5	12'-0"	—
v3(E)	16	#5	7'-6"	—
Structure Excavation		Cu. Yd.	86	
Concrete Structures		Cu. Yd.	17.2	
Reinforcement Bars, Epoxy Coated		Pound	2100	
Furnishing Steel Piles HP12x53		Foot	135	
Driving Piles		Foot	135	
Test Pile, HP12x53		Each	1	
Concrete Encasement		Cu. Yd.	2.1	

For details of piles and Concrete Encasement, see sheet 24 of 35.