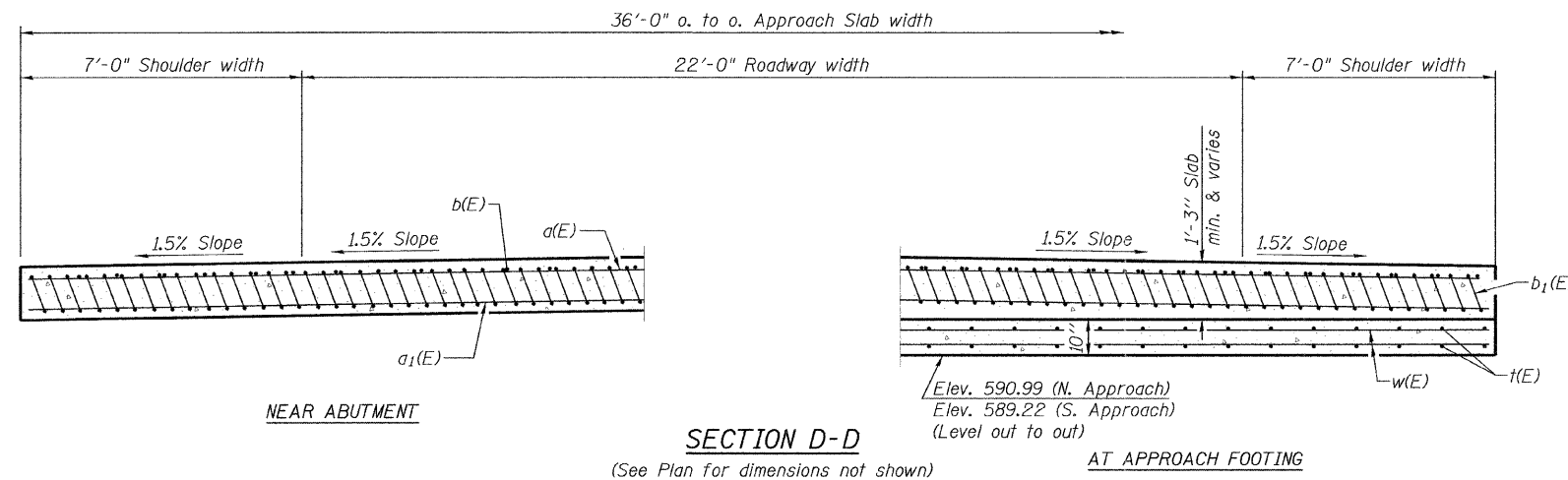
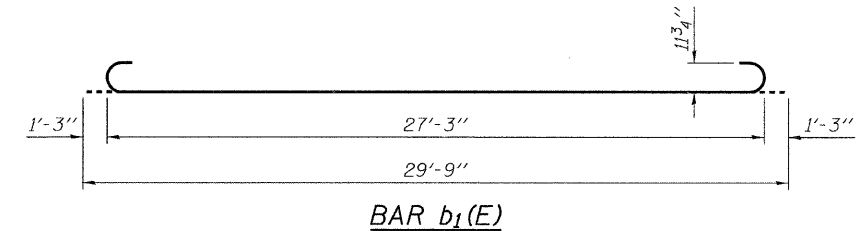
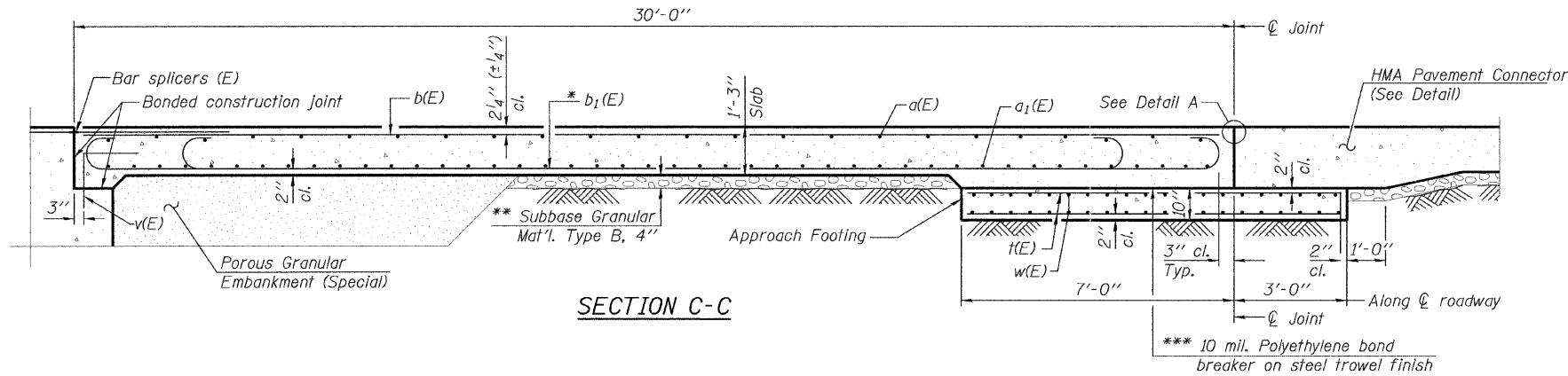
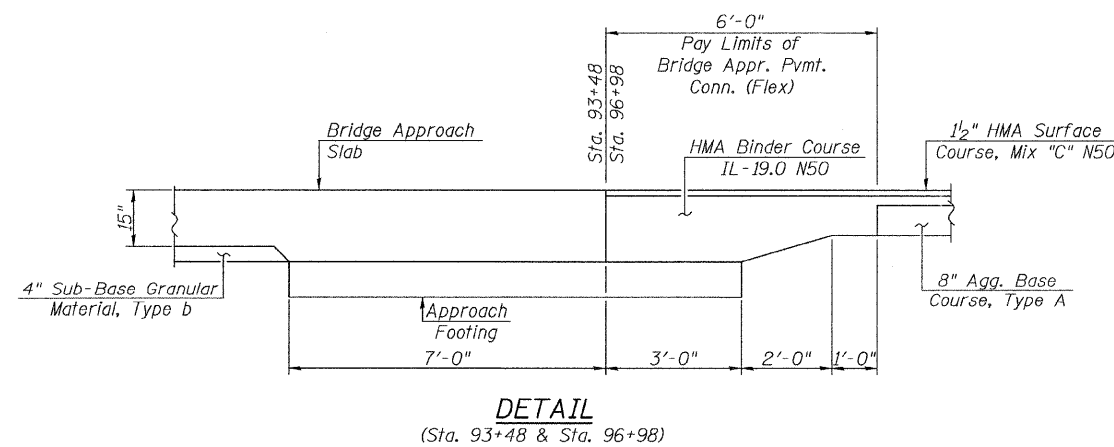


F.A.S. RTE.	SECTION	COUNTY	TOTAL SHEETS	SHEET NO.
733	06-00088-00-BR	MACOUPIN	35	26
FED. ROAD DIST. NO.		ILLINOIS FED. AID PROJECT		
		CONTRACT NO.		

Notes:
 Work this sheet with sheet 25 of 35.
 See sheet 25 of 35 for Detail A.
 Approach slab concrete shall be paid for as Concrete Superstructure.
 Approach footing concrete shall be paid for as Concrete Structures.
 Reinforcement shall be paid for as Reinforcement Bars, Epoxy Coated.
 For v(E) bar details, see sheet 14 of 35.
 The approach footing maximum applied service bearing pressure (Qmax) = 2.0 ksf.
 For bar splicer details, see sheet 23 of 35.
 Cost of excavation for approach footing included with Concrete Structures.
 For Porous Granular Embankment (Special) and drainage treatment details, see sheet 7 of 35.



* Tilt #9 b1(E) bars as required to maintain clearance.
 ** Included in roadway quantities.
 *** Cost included with Concrete Superstructure.



**TWO APPROACHES
 BILL OF MATERIAL**

Bar	No.	Size	Length	Shape
a(E)	50	#4	35'-8"	—
a1(E)	92	#5	35'-8"	—
b(E)	58	#4	29'-8"	—
b1(E)	174	#9	29'-9"	C
t(E)	144	#4	9'-8"	—
w(E)	80	#5	35'-8"	—
Concrete Superstructure			Cu. Yd.	104.5
Concrete Structures			Cu. Yd.	22.2
Reinforcement Bars, Epoxy Coated			Pound	27270

BRIDGE APPROACH SLAB DETAILS