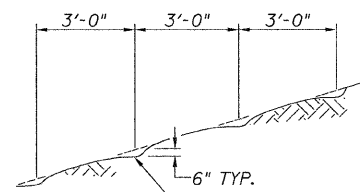
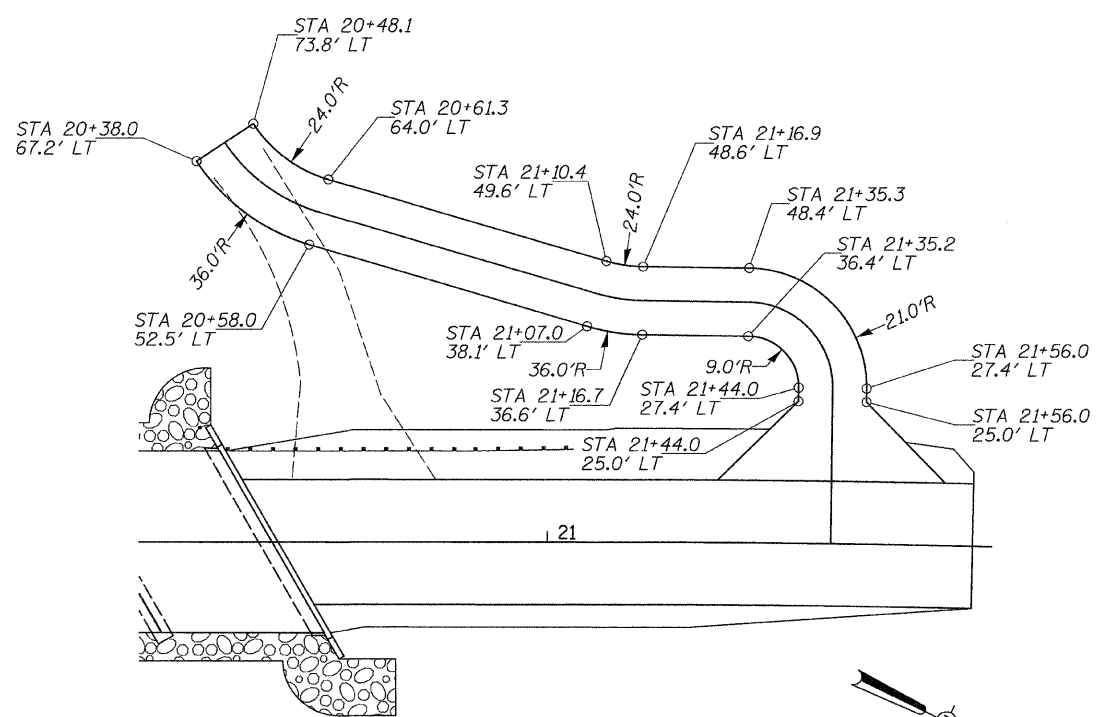


PRIVATE ENTRANCE
STA 21+50 LT

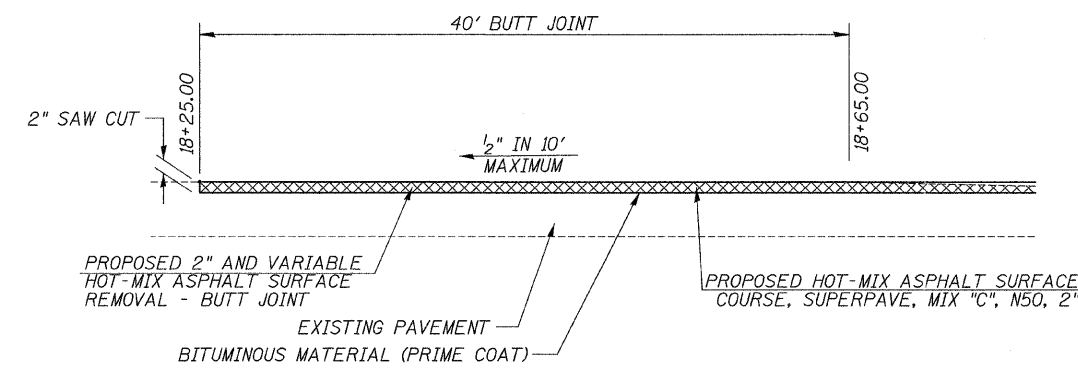


NOTE: ALL SLOPES 3:1 OR STEEPER AND GREATER THAN 5' IN HEIGHT SHALL BE CONTOUR PLOWED AS SHOWN IN DETAIL. COST SHALL BE INCLUDED WITH SEEDING, CLASS 2 (SPECIAL).

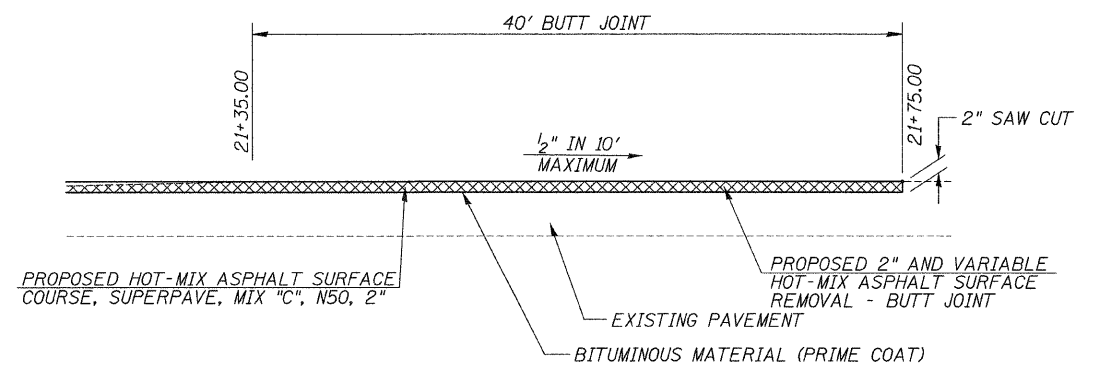
DETAIL OF CONTOUR PLOWING



PROPOSED PRIVATE ENTRANCE DETAIL
STA 21+50 LT



SOUTH END



NORTH END

BUTT JOINT DETAILS

FILE NAME = V:\Bridge\3063-Pike\3063d001.dgn	USER NAME = jhutchison	DESIGNED -	REVISED -	PIKE COUNTY COUNTY HIGHWAY 4 OVER NORTH FORK HADLEY CREEK	DETAILS		F.A.S. RTE. 596	SECTION 11-00089-00-BR	COUNTY PIKE	TOTAL SHEETS 28	SHEET NO. 3	
	PLOT SCALE = 1,000.00 Ft / IN.	DRAWN -	REVISED -		SCALE: NONE	SHEET NO. 1 OF 1 SHEETS	STA. 18+25.00 TO STA. 21+75.00	CONTRACT NO. 93564				
	PLOT DATE = 12/27/2011	CHECKED -	REVISED -		FED. ROAD DIST. NO. 7 ILLINOIS FED. AID PROJECT NO. BR05-0596(105)							
		DATE -	REVISED -									