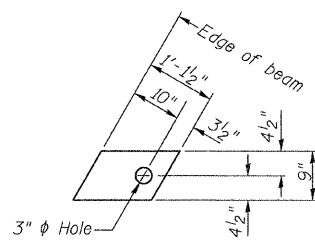
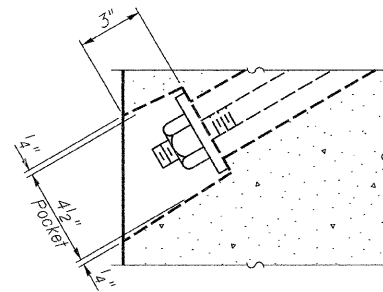


1/2" FABRIC BEARING PAD
(Interior) 14 Required

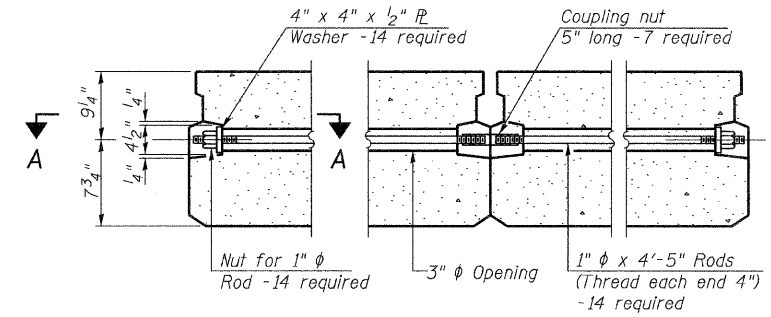


1/2" FABRIC BEARING PAD
(Exterior) 4 Required

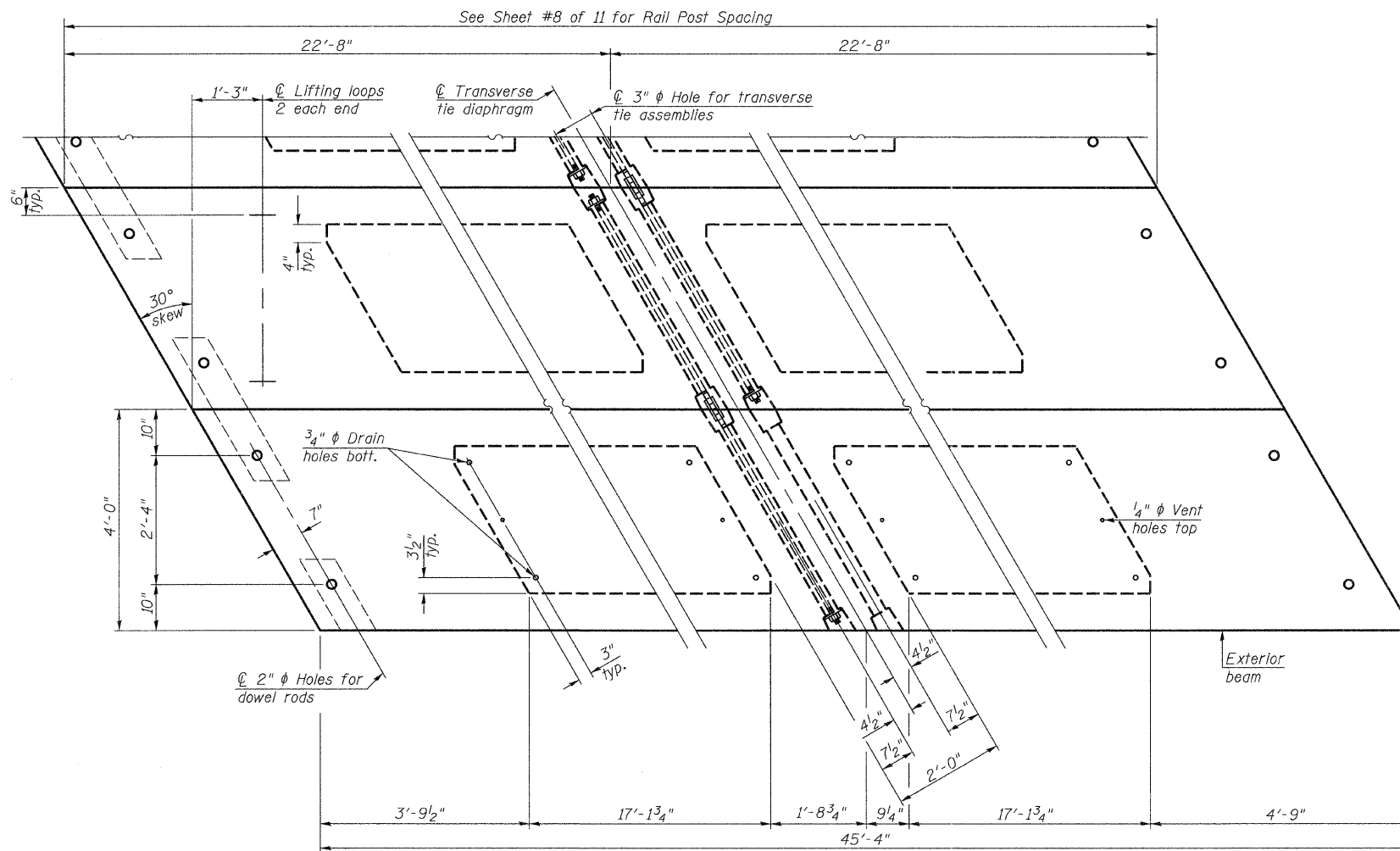
FIXED



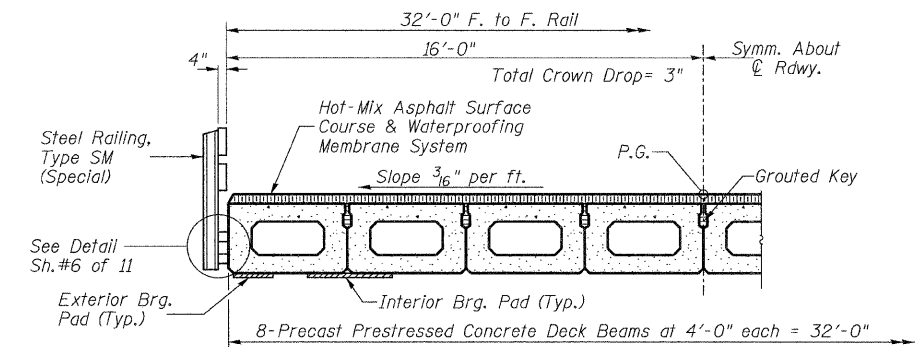
SECTION A-A



TYPICAL TRANSVERSE TIE ASSEMBLY



PLAN VIEW



HALF CROSS SECTION

BILL OF MATERIAL

ITEM	UNIT	QUANTITY
① Precast Prestressed Concrete Deck Beams (17" Depth)	SQ FT	1,451

② See Special Provisions

Note: Connect beams in pairs with the transverse tie configuration shown.

NOTES

- Prestressing steel shall be uncoated high strength, low relaxation 7-wire strand, Grade 270. The nominal diameter shall be 1/2" and the nominal cross-sectional area shall be 0.153 sq. in. The 1" rods in the transverse tie assembly shall be tightened to a snug fit and the threads set. Pockets on exterior faces of bridge shall be filled with grout after transverse tie assembly is in place.
- Reinforcement bars shall conform to ASTM A 706, Grade 60.
- Two 1/8" fabric adjusting shims of the dimensions of the exterior bearing pad shall be provided for each bearing pad location.
- A minimum 2 1/2" lifting pin shall be used to engage the lifting loops during handling.
- Corrosion Inhibitor, per Article 1020.05(b)(12) and 1021.06 of the Standard Specifications, shall be used in the concrete for precast prestressed concrete deck beams.
- Compressive strength of prestressed concrete, f'c, shall be 6000 psi.
- Compressive strength of prestressed concrete at release, f'ci, shall be 5000 psi.

SUPERSTRUCTURE - SPAN 2
PIKE COUNTY
SECTION 11-00089-00-BR
C.H. 4 OVER NORTH FORK HADLEY CREEK

SHEET NO. 4 17 SHEETS	ROUTE NO.	SECTION	COUNTY	TOTAL SHEETS	SHEET NO.
	CH 4	11-00089-00-BR	PIKE	28	11
S.N. 075-3324			CONTRACT NO. 93564		
FED. ROAD DIST. NO. 7 ILLINOIS		FED. AID PROJECT BRS-0596(105)			