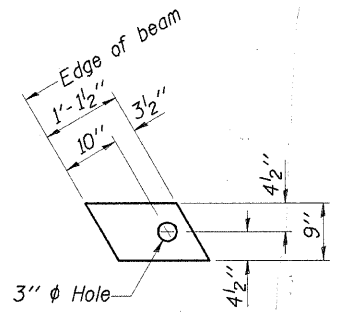
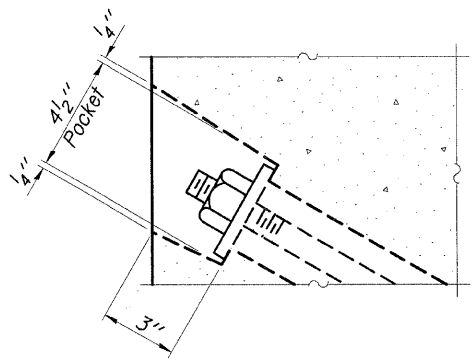


FABRIC BEARING PAD
(Interior)

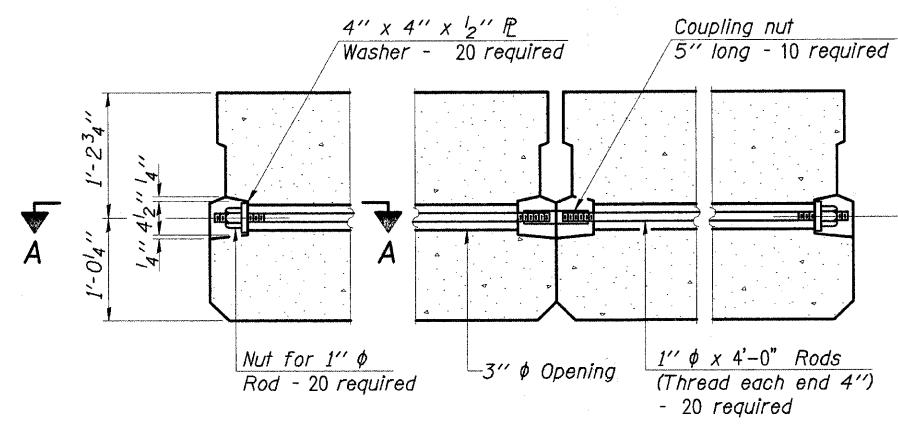


FABRIC BEARING PAD
(Exterior)

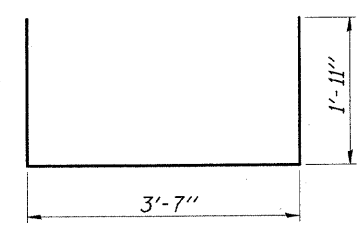
Notes:
FIXED
 All bearing pads shall be 1" thick.
 Omit holes when using expansion bearings.
 Expansion bearing pad shall be bonded to the substructure.



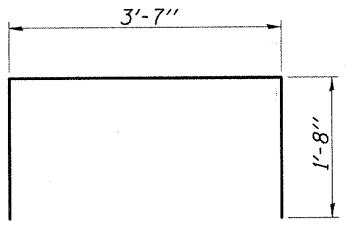
SECTION A-A



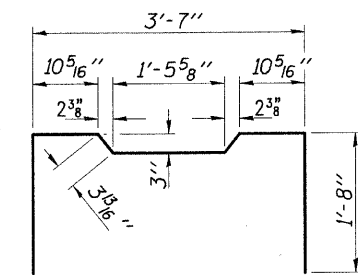
TYPICAL TRANSVERSE TIE ASSEMBLY



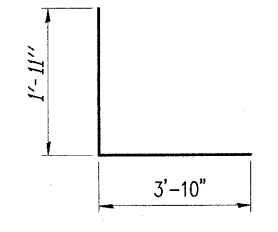
BAR S(E)



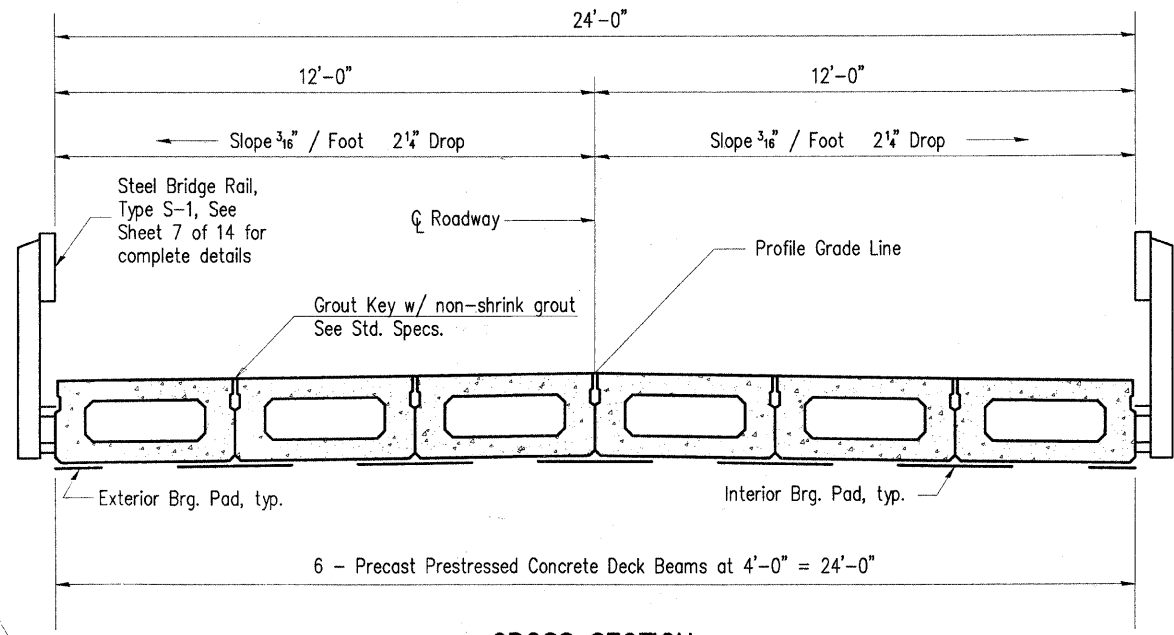
BAR S1(E)



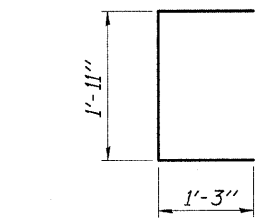
BAR S2(E)



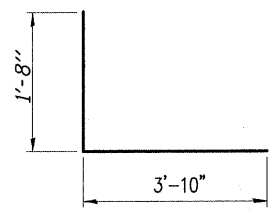
BAR S3(E)



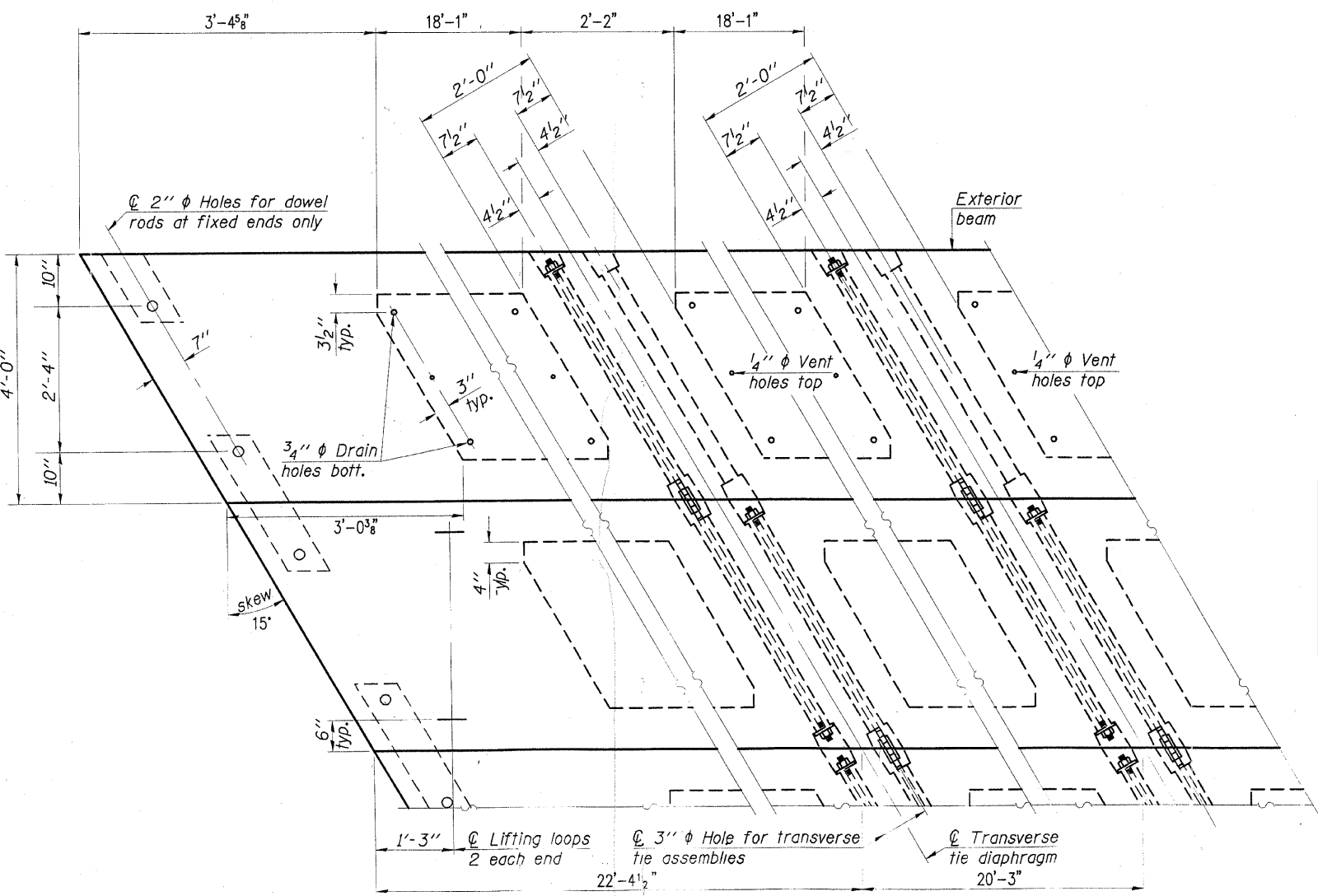
CROSS SECTION



BAR U(E)



BAR S4(E)

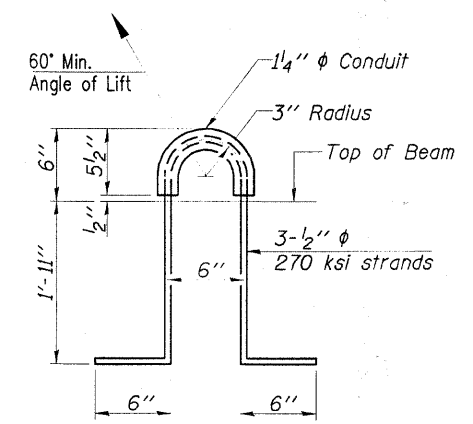


PLAN VIEW

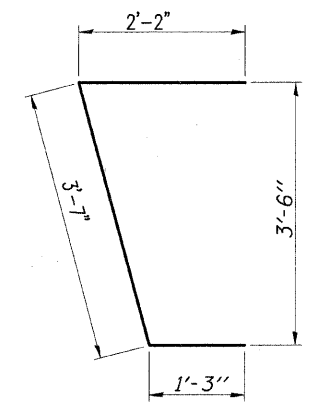
NOTES

Prestressing steel shall be uncoated high strength, low relaxation 7-wire strand, Grade 270. The nominal diameter shall be 1/2" and the nominal cross-sectional area shall be 0.153 sq. in. The 1" phi rods in the transverse tie assembly shall be tightened to a snug fit and the threads set. Pockets on exterior faces of bridge shall be filled with grout after transverse tie assembly is in place.
 Reinforcement bars shall conform to ASTM A 706, Grade 60. (See Special Provisions).
 Two 1/2" fabric adjusting shims of the dimensions of the exterior bearing pad shall be provided for each bearing pad location.
 A minimum 2 1/2" phi lifting pin shall be used to engage the lifting loops during handling.
 Corrosion Inhibitor, per Article 1020.05(b)(12) and 1021.05 of the Standard Specifications, shall be used in the concrete for precast prestressed concrete deck beams.
 Compressive strength of prestressed concrete, f'c, shall be 6000 psi.
 Compressive strength of prestressed concrete at release, f'ci, shall be 5000 psi.

Note: Connect beams in pairs with the transverse tie configuration shown.



LIFTING LOOP DETAIL



BAR U1(E)

BILL OF MATERIAL

Precast Prestressed Conc. Deck Bms. (27" depth)	Sq. Ft.	1560
---	---------	------

CHARLESTON ENGINEERING, INC.
 CONSULTING ENGINEERS
 105 NORTH KITCHELL
 P.O. BOX 397
 OLNEY, ILLINOIS 62450
 (618) 392-0736
 ILLINOIS DEPARTMENT OF PROFESSIONAL REGULATION REGISTRATION #184.002912

SUPERSTRUCTURE DETAILS
STRUCTURE NO. 096-3458

T.R. 165
OVER POPLAR CREEK
SECTION 05-18109-00-BR

WAYNE COUNTY
STATION 4+05.00