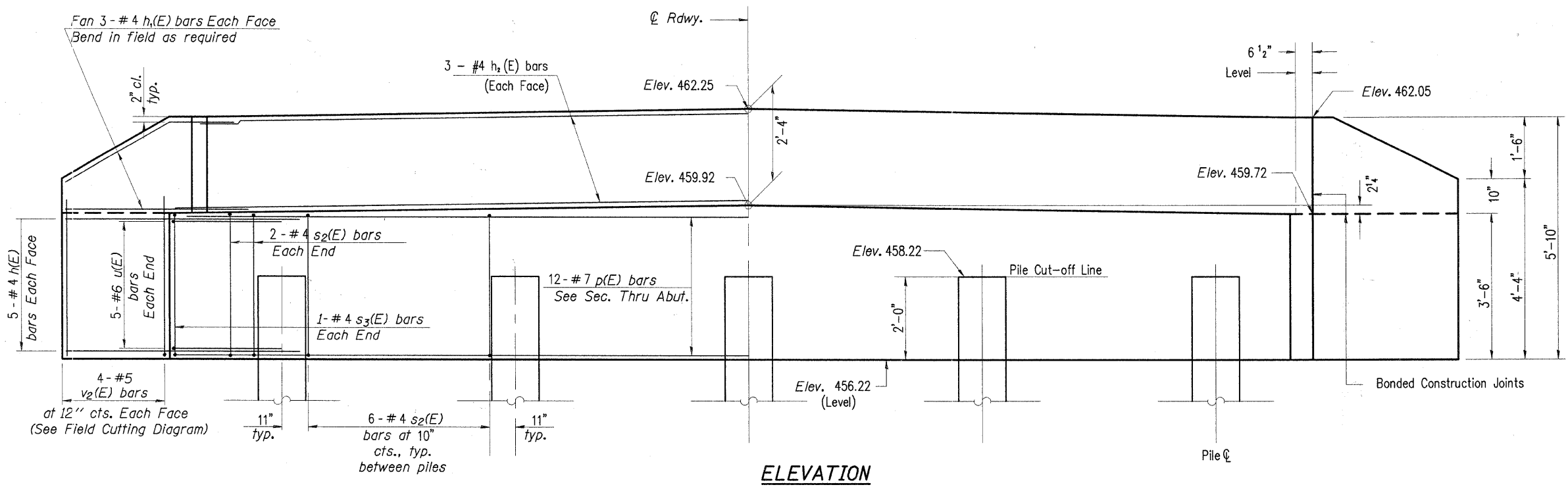
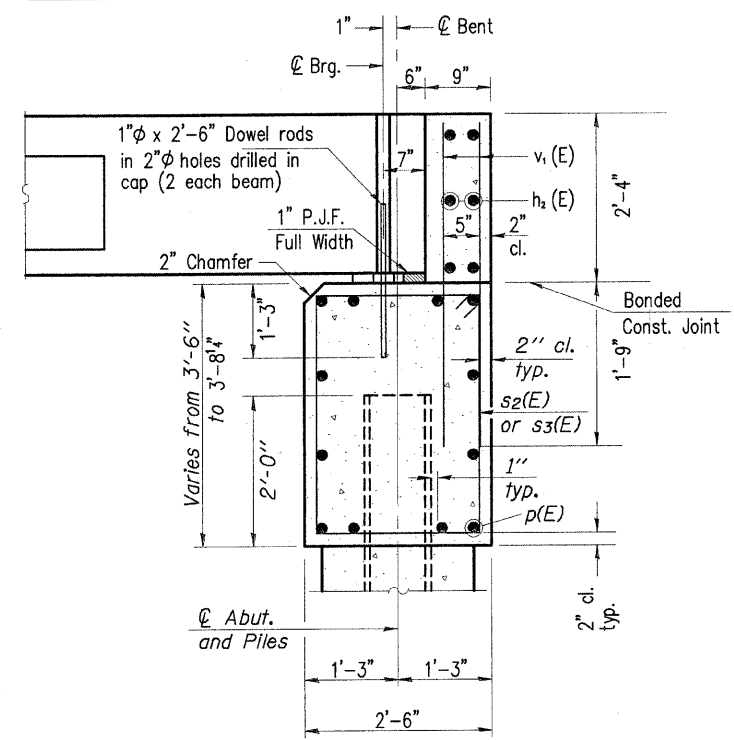


ROUTE	SECTION	COUNTY	TOTAL SHEETS	SHEET NO.
T.R. 165	05-18109-00-BR	WAYNE	14	8
ORCHARD ROAD DISTRICT		ILLINOIS		



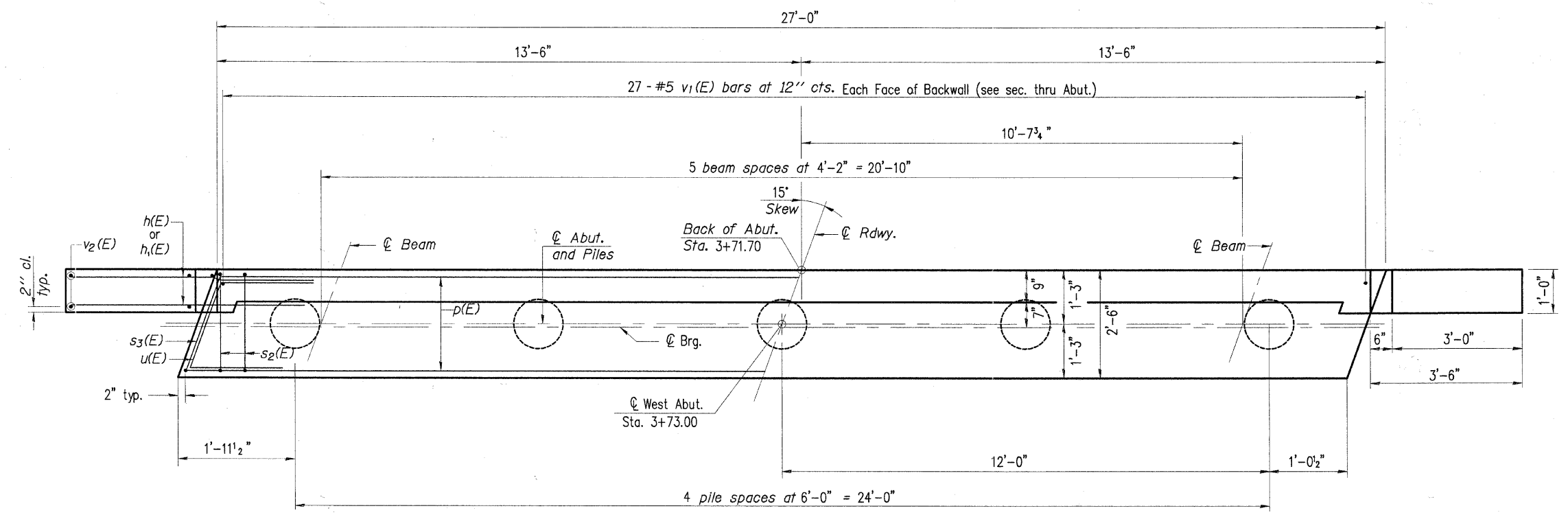
**ELEVATION**



**SEC. THRU ABUT.**  
(At Right Angles)

**BILL OF MATERIAL**

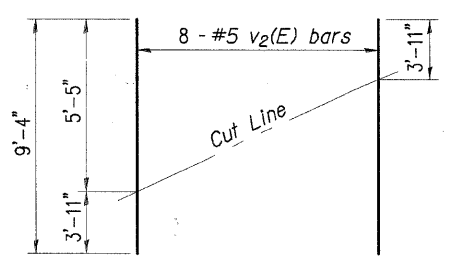
Bar	No.	Size	Length	Shape	
h(E)	20	#4	5'-0"	—	
h1(E)	12	#4	5'-3"	—	
h2(E)	6	#4	26'-8"	—	
p(E)	12	#7	26'-8"	—	
s2(E)	28	#4	11'-5"	□	
s3(E)	2	#4	11'-8"	□	
u(E)	10	#6	11'-3"	┘	
v1(E)	54	#5	5'-5"	—	
v2(E)	8	#5	9'-4"	—	
Concrete Structures				Cu. Yd.	12.3
Reinforcement Bars, Epoxy Coated				Pound	1655
Furnishing Metal Shell Piles 12" X 0.250"				Foot	300
Driving Piles				Foot	300
Pile Shoes				Each	5



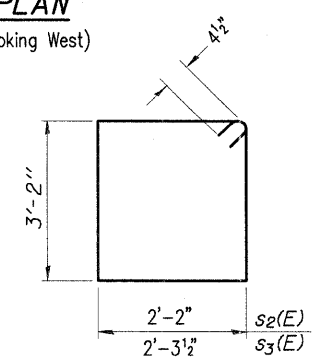
**PLAN**  
(Looking West)

**PILE DATA**

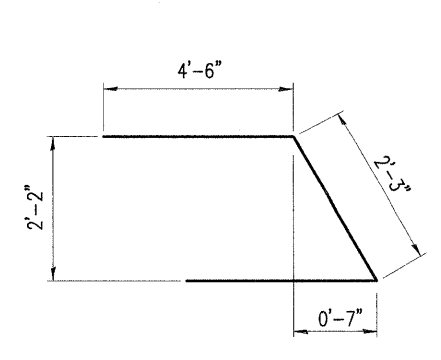
Type: Metal Shell Piles 12" X 0.250'  
 Nominal Required Bearing: 294 kips  
 Factored Resistance Available: 162 kips  
 Est. Length: 60 Feet  
 No. Production Piles: 5



**FIELD CUTTING DIAGRAM**  
 Order v2(E) full length. Cut as shown and use remainder of bars in opposite face.



**BARS s2(E) & s3(E)**



**BAR u(E)**

- Notes:
- The Backwall and the portion of the Wingwalls above the bonded construction joint shall be cast against the in-place beam.
  - Space reinforcement in cap to miss anchor bolts.

For details of piles see sheet 10 of 14.

**CHARLESTON ENGINEERING, INC.**  
 CONSULTING ENGINEERS  
 105 NORTH KITCHELL  
 P.O. BOX 387  
 COLONEY, ILLINOIS 62450  
 (618) 392-0736  
ILLINOIS DEPARTMENT OF PROFESSIONAL REGULATION REGISTRATION #184.003513

**WEST ABUTMENT DETAILS**  
**STRUCTURE NO. 096-3458**

T.R. 165  
 OVER POPLAR CREEK

SECTION 05-18109-00-BR  
 WAYNE COUNTY

STATION 1+05.00