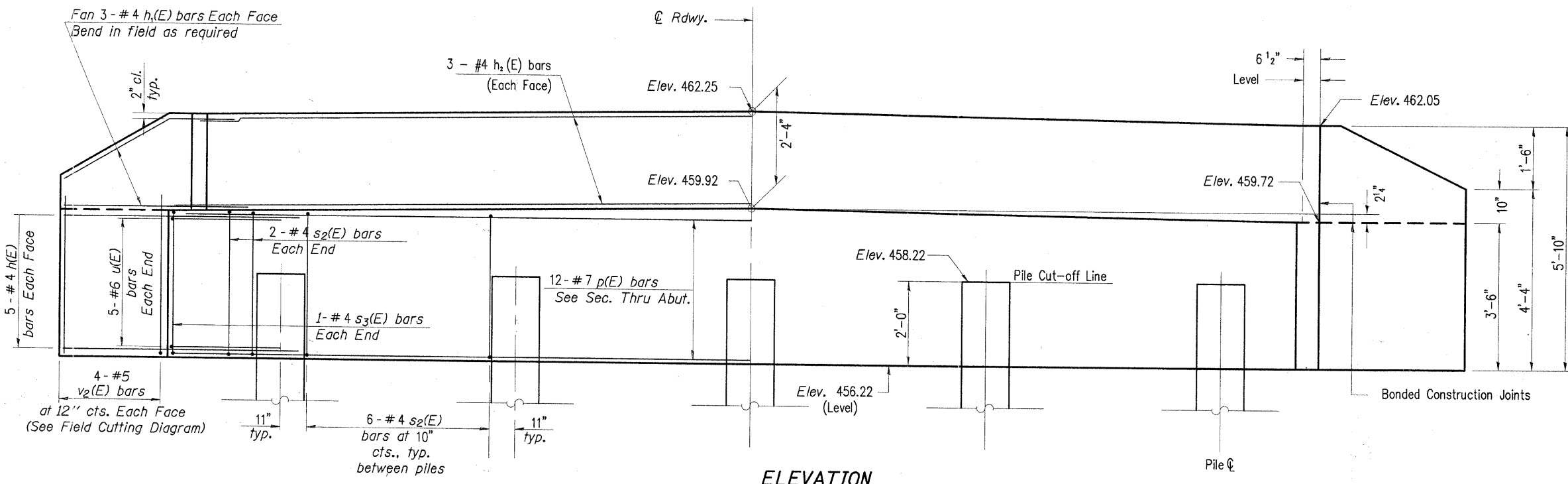
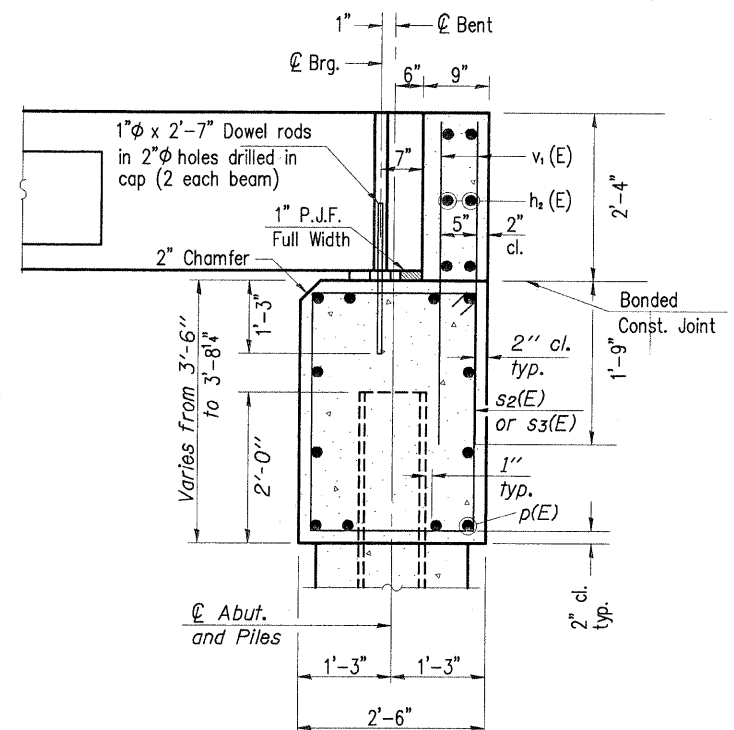


ROUTE	SECTION	COUNTY	TOTAL SHEETS	SHEET NO.
T.R. 165	05-18109-00-BR	WAYNE	14	9
ORCHARD ROAD DISTRICT		ILLINOIS		



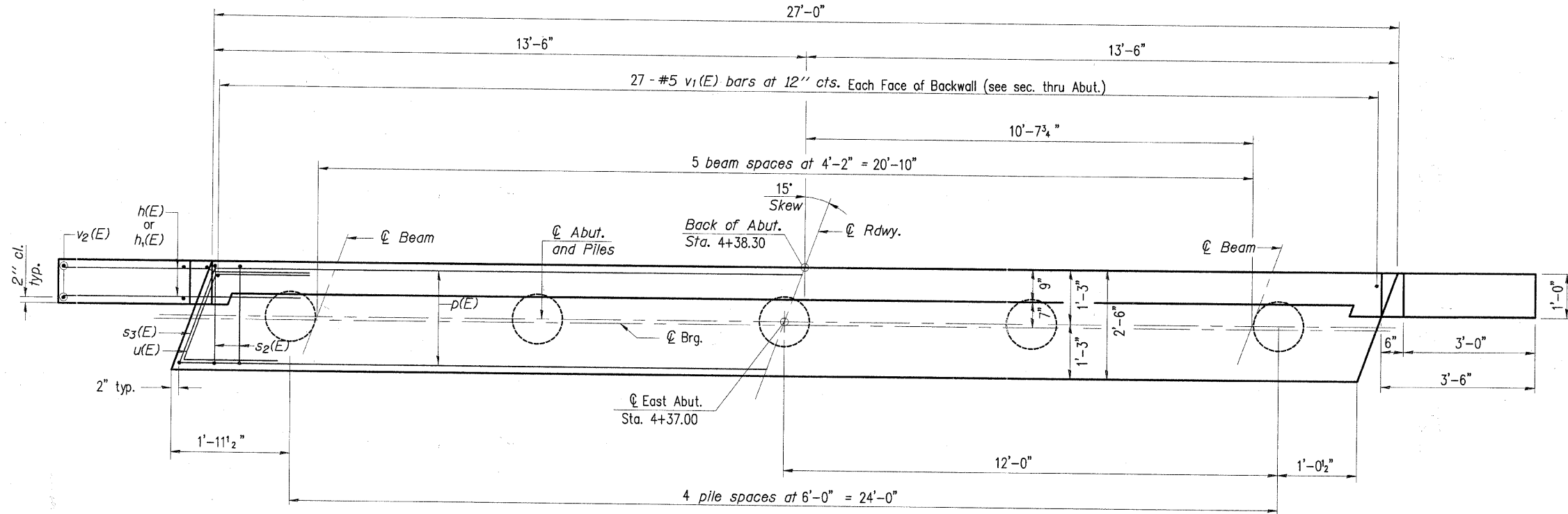
ELEVATION



SEC. THRU ABUT.

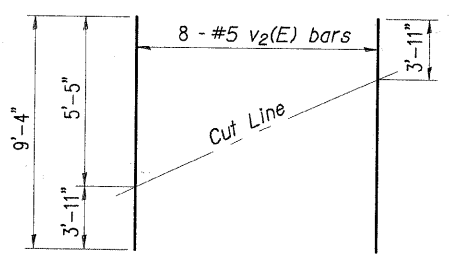
BILL OF MATERIAL
(At Right Angles)

Bar	No.	Size	Length	Shape
h(E)	20	#4	5'-0"	—
h1(E)	12	#4	5'-3"	—
h2(E)	6	#4	26'-8"	—
p(E)	12	#7	26'-8"	—
s2(E)	28	#4	11'-5"	□
s3(E)	2	#4	11'-8"	□
u(E)	10	#6	11'-3"	┘
v1(E)	54	#5	5'-5"	—
v2(E)	8	#5	9'-4"	—
Concrete Structures		Cu. Yd.	12.3	
Reinforcement Bars, Epoxy Coated		Pound	1655	
Furnishing Metal Shell Piles 12" X 0.250"		Foot	260	
Driving Piles		Foot	260	
Test Pile Metal Shells		Each	1	
Pile Shoes		Each	4	



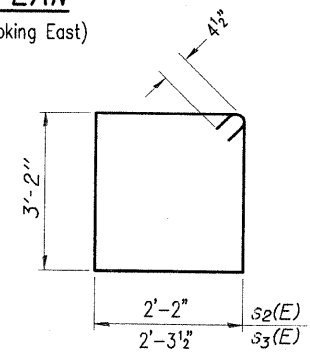
PLAN

(Looking East)

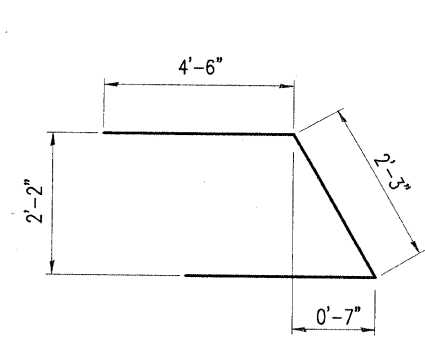


FIELD CUTTING DIAGRAM

Order v2(E) full length. Cut as shown and use remainder of bars in opposite face.



BARS s2(E) & s3(E)



BAR u(E)

- Notes:
- The Backwall and the portion of the Wingwalls above the bonded construction joint shall be cast against the in-place beam.
 - Space reinforcement in cap to miss anchor bolts.
 - The test pile shall be driven to 110 percent of the Nominal Required Bearing indicated in the pile data information.

For details of piles see sheet 10 of 14.

CHARLESTON ENGINEERING, INC.
CONSULTING ENGINEERS
106 NORTH KITCHELL
P.O. BOX 397
OLNEY, ILLINOIS 62450
(618) 392-0735
ILLINOIS DEPARTMENT OF PROFESSIONAL REGULATION REGISTRATION #184 003613

EAST ABUTMENT DETAILS
STRUCTURE NO. 096-3458
T.R. 165
OVER POPLAR CREEK
SECTION 05-18109-00-BR
WAYNE COUNTY