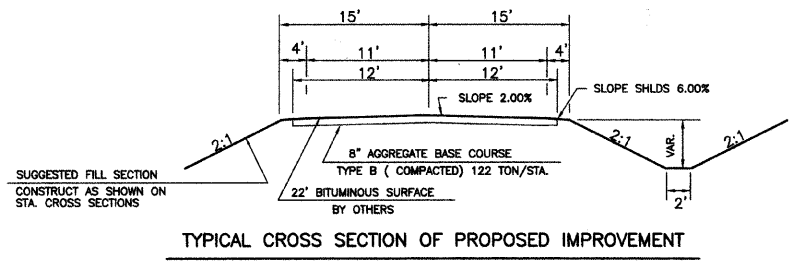
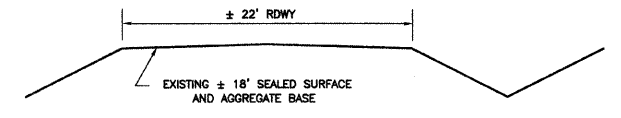


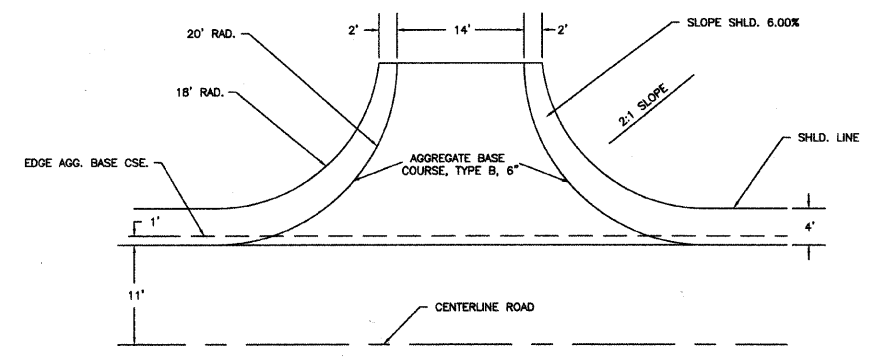
SECTION	07-00117-00-BR	TOTAL SHEETS	SHEET NO.
COUNTY	WAYNE	11	2
ROAD DIST.	LAMARD		
STA.		TO STA.	



TYPICAL CROSS SECTION OF PROPOSED IMPROVEMENT



TYPICAL CROSS SECTION OF EXISTING ROADWAY



DETAIL OF FIELD ENTRANCE

SUMMARY OF QUANTITIES

0.9	ACRE	SEEDING, CLASS 2 (SPECIAL)	X2501000
68	TON	AGGREGATE DITCH (SPECIAL)	X2830495
1	L SUM	TRAFFIC CONTROL AND PROTECTION, (SPECIAL)	X7010216
55	UNIT	TREE REMOVAL (6 TO 15 UNITS DIAMETER)	20100110
19	UNIT	TREE REMOVAL (OVER 15 UNITS DIAMETER)	20100210
924	CU YD	EARTH EXCAVATION	20200100
490	CU YD	CHANNEL EXCAVATION	20300100
4139	CU YD	FURNISHED EXCAVATION	20400800
100	TON	POROUS GRANULAR EMBANKMENT	20700110
85	FOOT	TEMPORARY DITCH CHECKS	28000305
60	FOOT	PERIMETER EROSION BARRIER	28000400
160	TON	STONE DUMPED RIPRAP, CLASS A4	28100807
1589	TON	AGGREGATE BASE COURSE, TYPE B	35101400
1	EACH	REMOVAL OF EXISTING STRUCTURES	50100100
25	CU YD	CONCRETE STRUCTURES	50300225
2.8	CU YD	CONCRETE ENCASEMENT	50300280
1909	SQ FT	PRECAST PRESTRESSED CONCRETE DECK BEAMS (33" DEPTH)	50400605
4100	POUND	REINFORCEMENT BARS	50800105
139	FOOT	STEEL RAILING, TYPE S1	50900205 *
369	FOOT	FURNISHING STEEL PILES HP12X53	51201600
369	FOOT	DRIVING PILES	51202305
1	EACH	TEST PILE STEEL HP12X53	51203600
8	EACH	PILE SHOES	51204650
1	EACH	NAME PLATES	51500100
172	FOOT	PIPE CULVERTS, CLASS D, TYPE 1 15"	54200220
2	EACH	TRAFFIC BARRIER TERMINAL, TYPE 5A	63100075 *
2	EACH	TRAFFIC BARRIER TERMINAL, TYPE 1 (SPECIAL) TANGENT	63100167 *
1	L SUM	MOBILIZATION	67100100
4	EACH	TERMINAL MARKER - DIRECT APPLIED	78201000 *

*SPECIALTY ITEM

UTILITIES
 TELEPHONE : WABASH TELEPHONE CO.
 210 S. CHURCH STREET
 P.O. BOX 229
 LOUISVILLE, IL 62858
 PH. 618-665-3311
 ELECTRIC : WAYNE-WHITE ELECTRIC COOP.
 RT. 45 WEST
 FAIRFIELD, IL 62837
 PH. 618-642-2196
 WATER : BOYLESTON WATER CORP.
 C/O BILL YOUNG
 PH. 618-516-3322
 WATER : JASPER WATER CORP.
 C/O BILL YOUNG
 PH. 618-516-3322