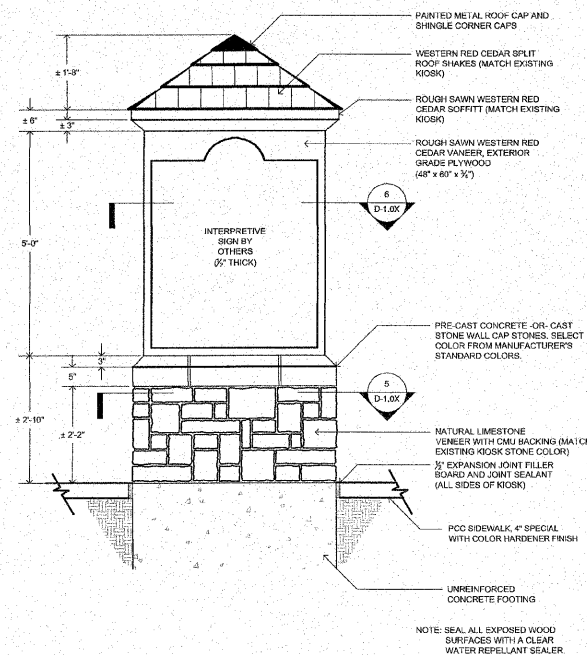
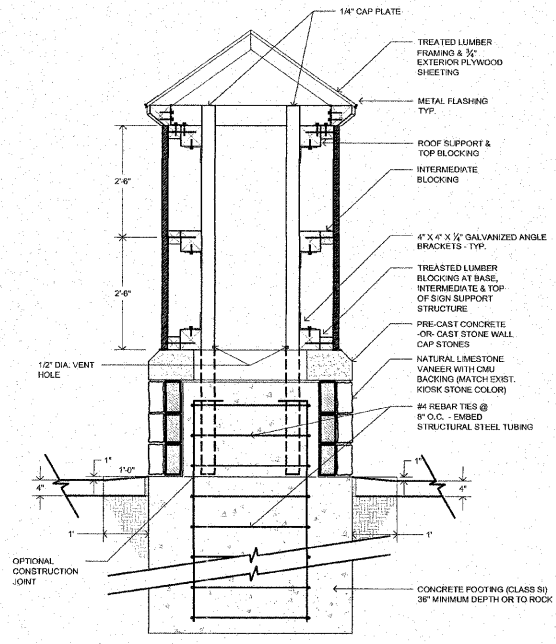


SECTION	COUNTY	TOTAL SHEETS	SHEET NO.
08-00021-00-PK	MADISON	9	6
CONTRACT NO. 97473			

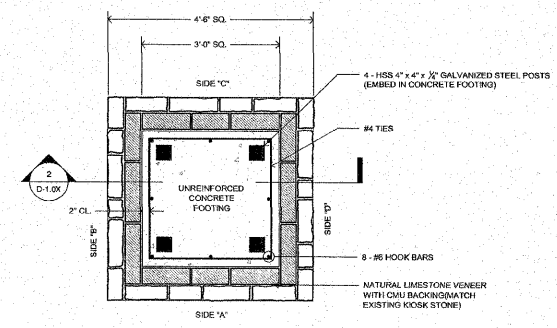
REVISIONS



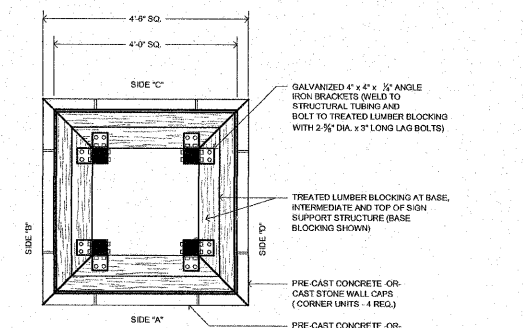
1
L1
KIOSK - SIDES A AND C
(SIDE A SHOWN - SIDE C OPPOSITE)
02b-001
3/4" = 1'-0"



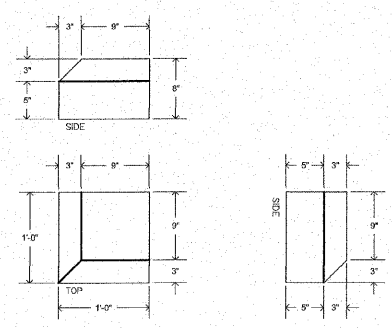
2
L1
KIOSK FOOTING
02b-007
3/4" = 1'-0"



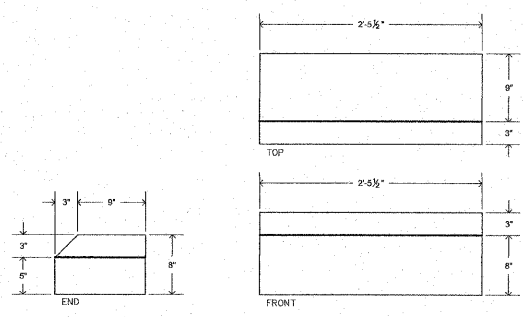
5
L1
SECTION @ KIOSK BASE
02b-004
3/4" = 1'-0"



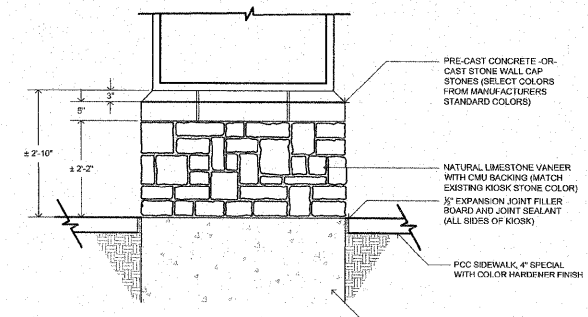
6
L1
SECTION @ KIOSK BASE
02b-005
3/4" = 1'-0"



3
L1
PRE-CAST CONCRETE -OR- CAST STONE WALL
CAP STONE - CORNER UNITS (4 REQ.)
02b-002



4
L1
PRE-CAST CONCRETE -OR- CAST STONE WALL
CAP STONE - INTERMEDIATE UNITS (4 REQ.)
02b-003



7
L1
KIOSK - SIDES B AND D
(SIDE D SHOWN - SIDE B OPPOSITE)
02b-003
1" = 2'

PDS
PLANNING DESIGN STUDIO
727 North First Street, Suite 360
Saint Louis, Missouri, 63102
Phone (314) 241-3600

IMPROVEMENT PLANS FOR HOFFMAN GARDENS
VILLAGE OF GODFREY, ILLINOIS
KIOSK DETAILS

DWG. NO.	HOFFMAN KIOSK DETAILS.DWG
REF. BK.	PG.
JOB NO.	437560
DSN. BY:	SJW/DDT
DWN. BY:	BCS
CHK. BY:	SJW
DATE:	JANUARY, 2012
SCALE:	1" = 2'
SHEET	L1 OF 9

S:\land\mpeas\GODFREY_PDR_1437560\HOFFMAN GARDENS\img\HOFFMAN KIOSK DETAILS.dwg, 1/9/2012 2:50:52 PM, bspchris, 1:2