

DIAPHRAGM ELEVATION AT ABUTMENT

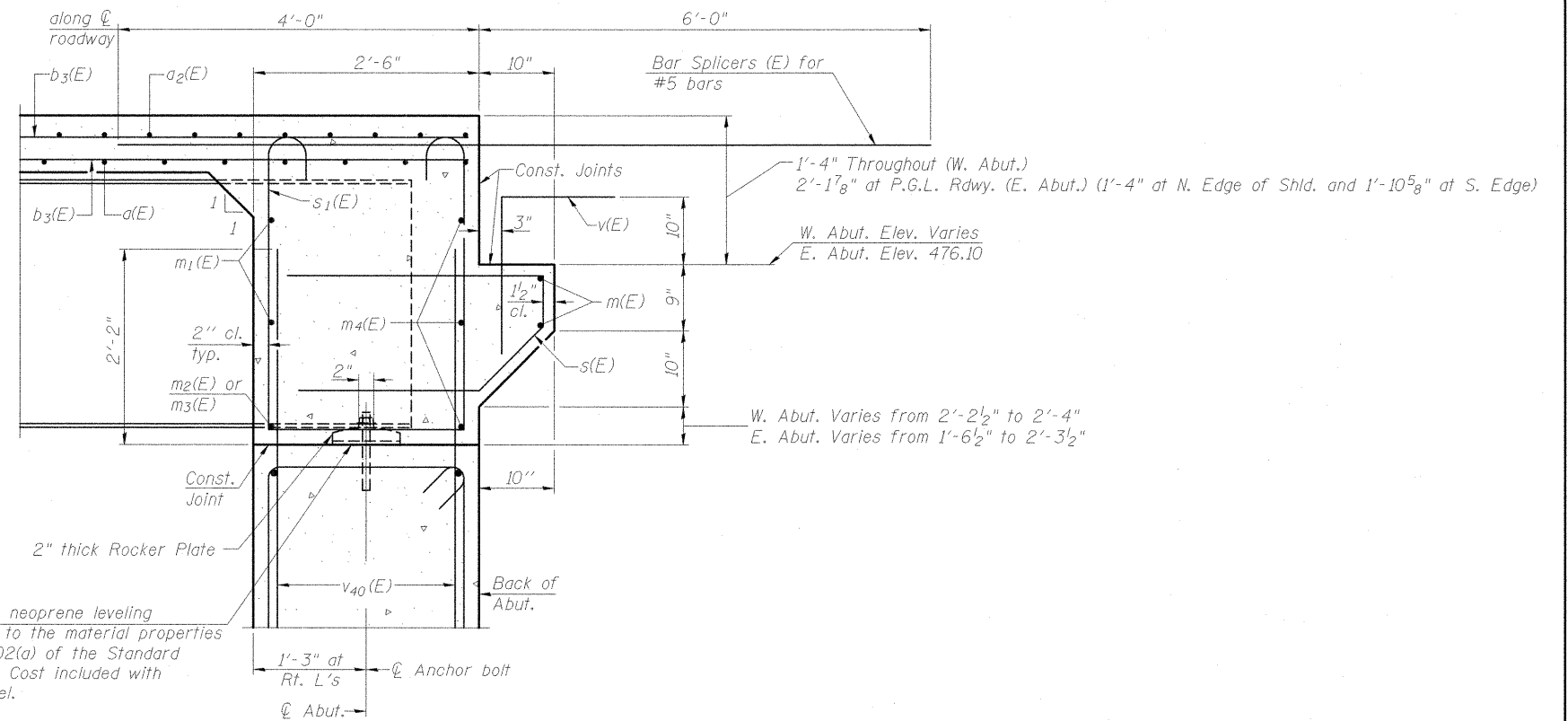
(EAST ABUT. - LOOKING EAST)
(WEST ABUT. - OPP. HAND)

Notes:

Reinforcement bars in diaphragm are billed with superstructure on Sheet S-17 of S-41.
Concrete in diaphragm is included with Concrete Superstructure on Sheet S-17 of S-41.
For details of bars s(E) & s1(E) see Sheet S-17 of S-41.
The s(E) and s1(E) bars shall be placed parallel to the beams. Spacing for these bars shall be at right angles to the beams.

MIN. BAR LAP

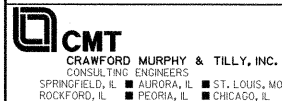
#6 bar = 3'-10"



SECTION A-A

Dimensions at right angles to abutment, except as shown.

FILE NAME = I:\dots\9906603\draw\cadd\sheet\structural\plans\brdg\backwall\DETAILS.wb.dgn



USER NAME = Gary Davis	DESIGNED - MCC	REVISED -
PLOT SCALE =	CHECKED - ATI	REVISED -
PLOT DATE = 12/7/2011	DRAWN - GLD	REVISED -
	CHECKED - ATI	REVISED -

STATE OF ILLINOIS
DEPARTMENT OF TRANSPORTATION

BACKWALL DETAILS
STRUCTURE NO. 100-0093 (W.B.)

SHEET NO. S-18 OF S-41 SHEETS

F.A.P. RTE.	SECTION	COUNTY	TOTAL SHEETS	SHEET NO.
331	(IX-1VB-1	WILLIAMSON	367	184
CONTRACT NO. 98859				

ILLINOIS FED. AID PROJECT