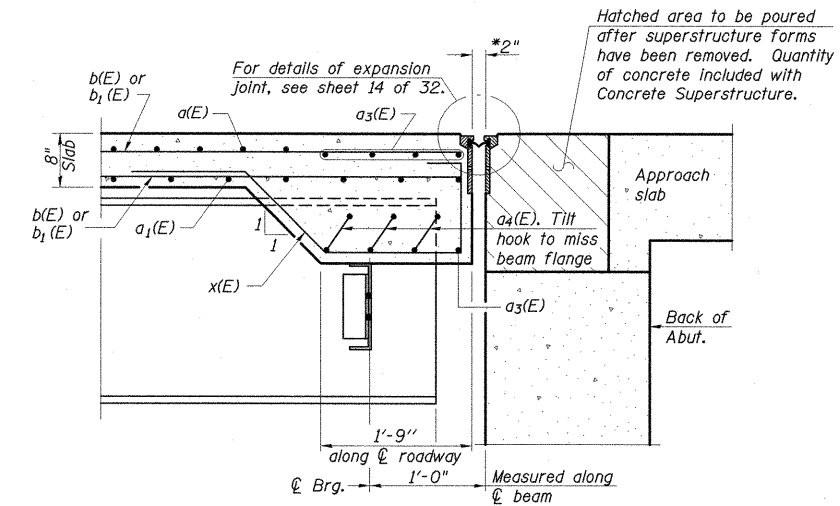
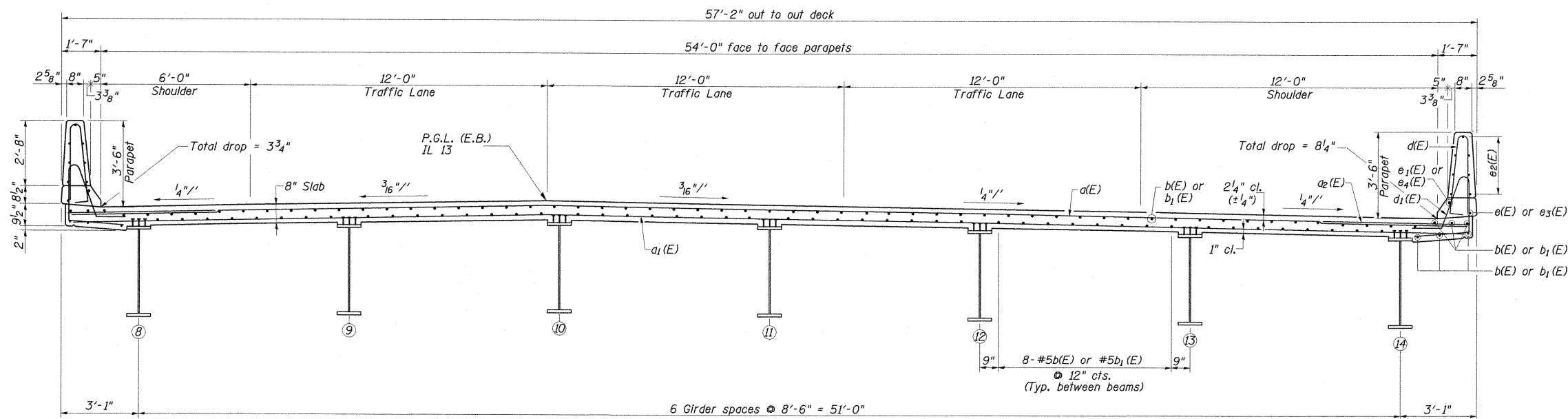


DECK PLAN
(S.N. 100-0096 E.B.)



SECTION A-A

*Dimensions are based on a Rolled Rail Strip Seal Joint. If the Contractor elects to use the Welded Rail Strip Seal Joint deck dimensions may require adjustments to satisfy the details on Sheet 14 of 32.



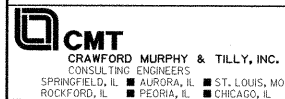
TYPICAL CROSS SECTION
(Looking East)

MIN. BAR LAPS

- #4 Bar = 2'-7"
- #5 Bar = 3'-3"
- #6 Bar = 3'-10"
- #8 Bar = 6'-9"

NOTES:

1. See Sheet 13 of 32 for parapet details and S.N. 100-0096 Superstructure Bill of Material.



FILE NAME =	USER NAME =
1:\dot\0906683\draw\cadd\sheet\structure\al plans\marathon dr bridge\marathon_final\CHECKED SUPERSTRUCTURE.EB.dgn	
PLOT SCALE =	
PLOT DATE =	

DESIGNED - SF	REVISED -
CHECKED - SUPERSTRUCTURE	REVISED -
DRAWN - GLD	REVISED -
CHECKED - SF	REVISED -

STATE OF ILLINOIS
DEPARTMENT OF TRANSPORTATION

SUPERSTRUCTURE
STRUCTURE NO. 100-0096 (E.B.)

SHEET NO. 12 OF 32 SHEETS

F.A.P. RTE.	SECTION	COUNTY	TOTAL SHEETS	SHEET NO.
331	(IX-1) VB-1, B-1, N-4, R-3	WILLIAMSON	367	219
CONTRACT NO. 98859			ILLINOIS FED. AID PROJECT	