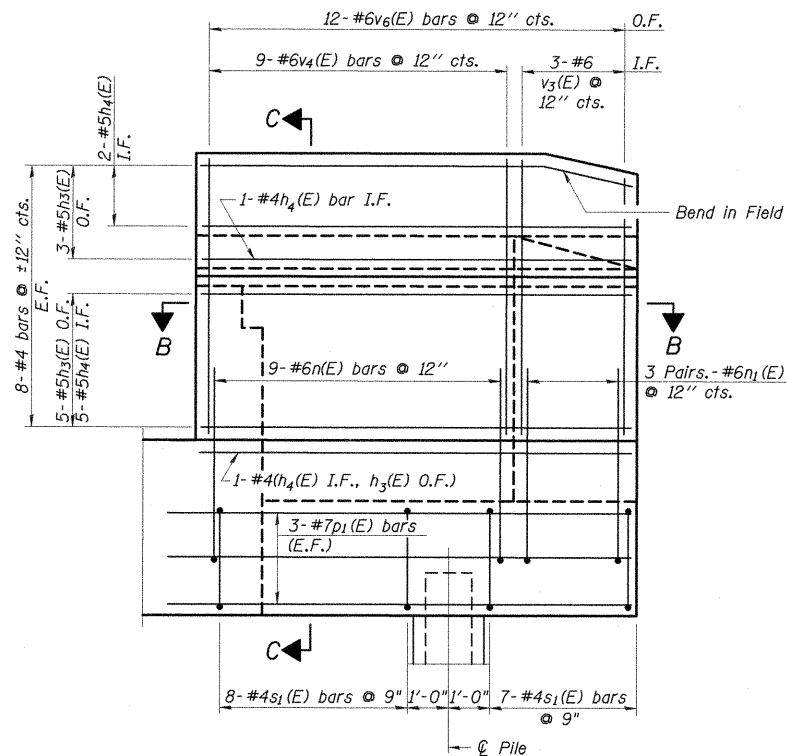
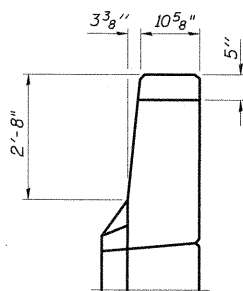


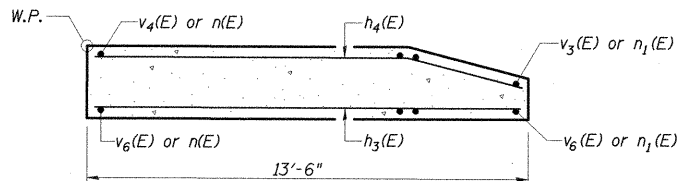
WING WALL ELEVATION
Showing Dimensions



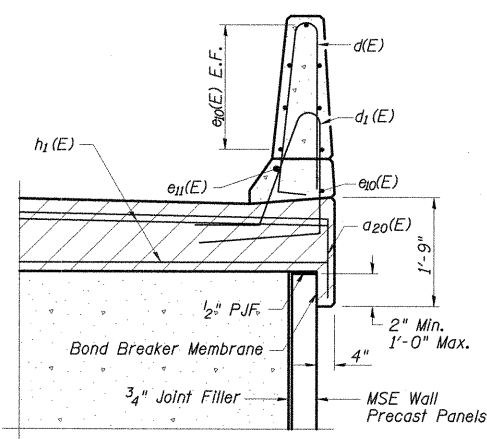
WING WALL ELEVATION
Showing Reinforcement



VIEW A-A

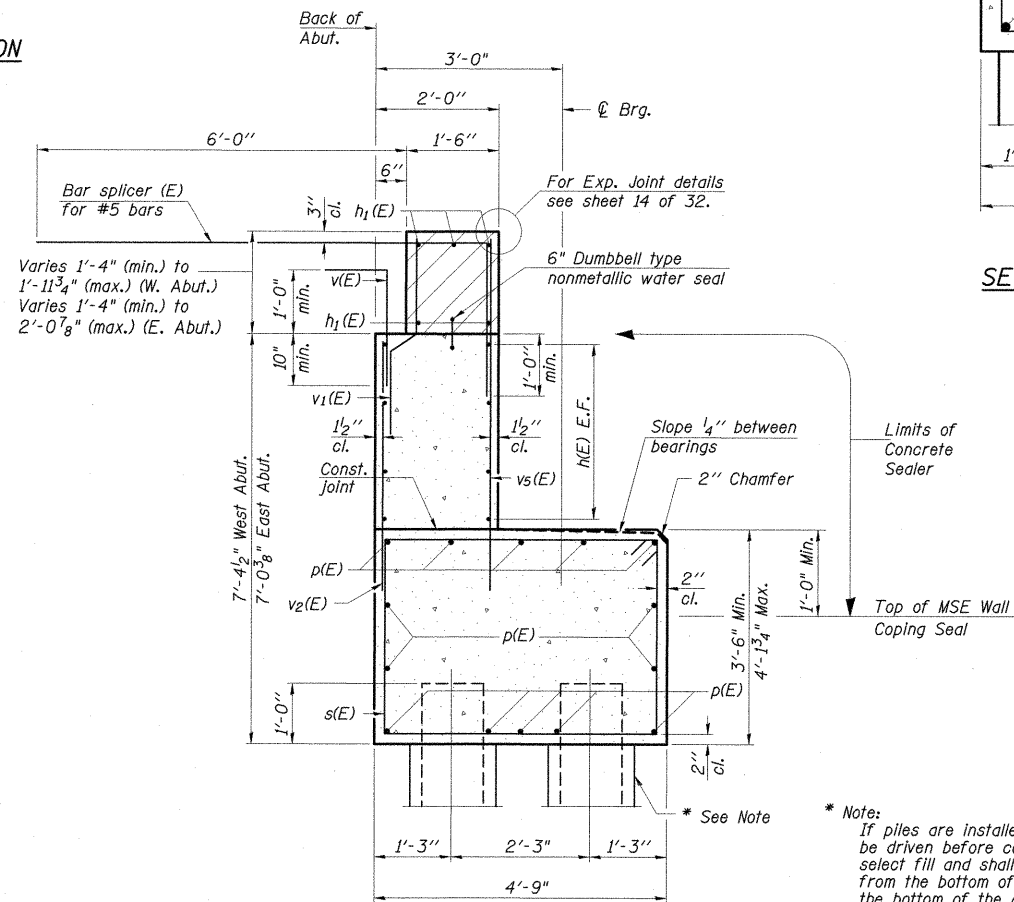


SECTION B-B

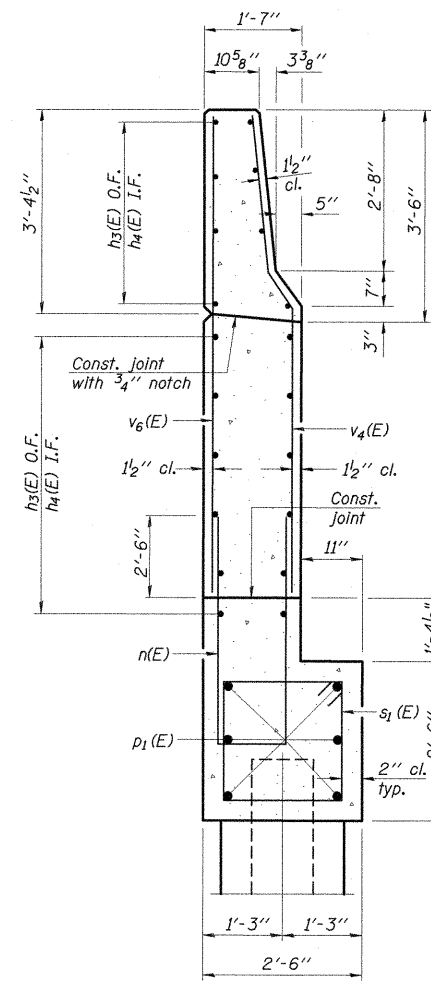


SECTION D-D

Note:
d(E), d₁(E), e₀(E), and e₁₁(E) bars detailed and Billed on sheets 15 and 16 of 32.



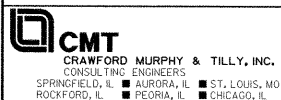
SEC. THRU ABUT.



SECTION C-C

* Note:
If piles are installed without sleeves they shall be driven before construction of the MSE Wall select fill and shall be coated with Bitumen from the bottom of the select fill to 1' above the bottom of the abutment cap. The cost of the Bitumen coating shall be included with the pay item for furnishing piles.

Alternately, the contractor may install sleeves around the piles in lieu of coating with Bitumen. The annulus between the pile and the sleeve shall be filled with loose dry sand after construction of the MSE Wall select fill. The cost of furnishing, installing, and filling the pile sleeves shall be included with the pay item for furnishing piles.



| | | | |
|---|-------------|---------------|-----------|
| FILE NAME = | USER NAME = | DESIGNED - SF | REVISED - |
| \\dot\0906603\draw\cadd\sheet\structure\plans\marathon dr bridge\marathon_final | | CHECKED - WLB | REVISED - |
| | | DRAWN - GLD | REVISED - |
| | | CHECKED - SF | REVISED - |

STATE OF ILLINOIS
DEPARTMENT OF TRANSPORTATION

ABUTMENT DETAILS
STRUCTURE NO. 100-0095 (W.B.) & 100-0096 (E.B.)

SHEET NO. 25 OF 32 SHEETS

| | | | | |
|--------------------|---------------------|------------|---------------------------|-----------|
| F.A.P. RTE. | SECTION | COUNTY | TOTAL SHEETS | SHEET NO. |
| 331 (IX-1) | VB-1, B-1, N-4, R-3 | WILLIAMSON | 367 | 232 |
| CONTRACT NO. 98859 | | | ILLINOIS FED. AID PROJECT | |