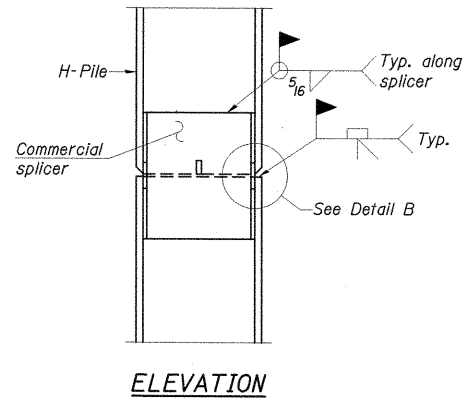
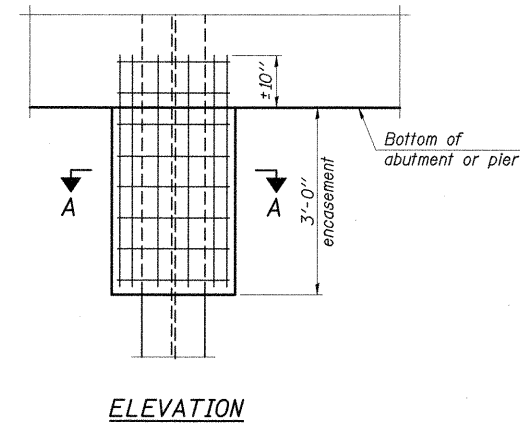


STEEL PILE TABLE

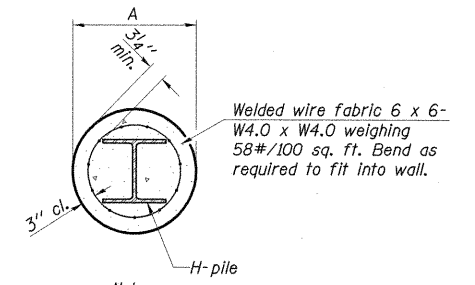
Designation	Depth d	Flange width bf	Web and Flange thickness t	Encasement diameter A
HP 14x117	14 1/4"	14 7/8"	1 3/16"	30"
x102	14"	14 3/4"	1 1/16"	30"
x89	13 7/8"	14 3/4"	5/8"	30"
x73	13 5/8"	14 5/8"	1/2"	30"
HP 12x84	12 1/4"	12 1/4"	1 1/16"	24"
x74	12 1/8"	12 1/4"	5/8"	24"
x63	12"	12 1/8"	1/2"	24"
x53	11 3/4"	12"	7/16"	24"
HP 10x57	10"	10 1/4"	9/16"	24"
x42	9 3/4"	10 1/8"	7/16"	24"
HP 8x36	8"	8 1/8"	7/16"	18"



ELEVATION

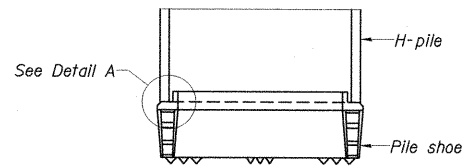


ELEVATION

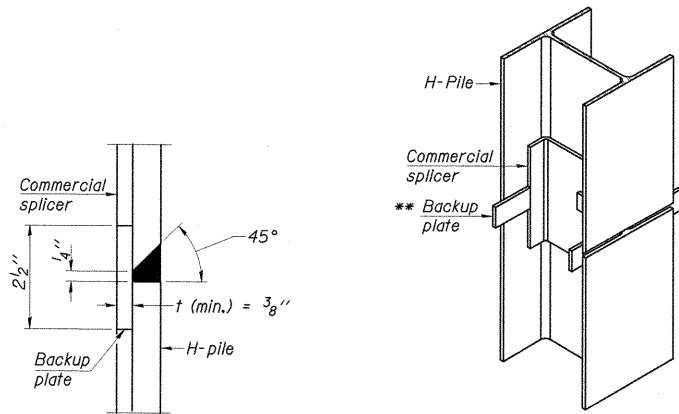


SECTION A-A

PILE ENCASEMENT

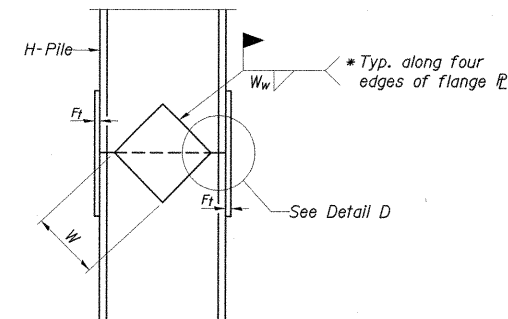


ELEVATION

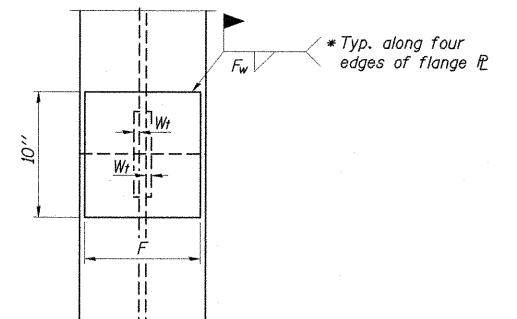


ISOMETRIC VIEW

WELDED COMMERCIAL SPLICE

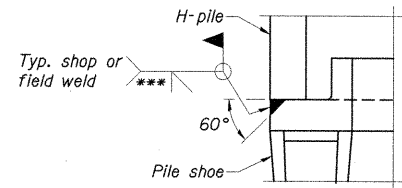


ELEVATION



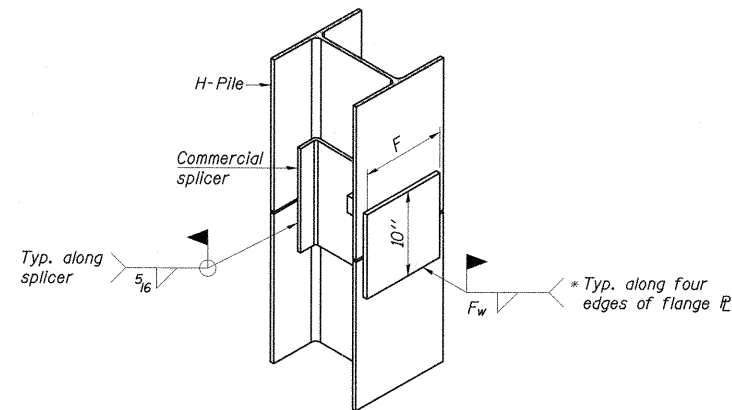
END VIEW

WELDED PLATE FIELD SPLICE



DETAIL A

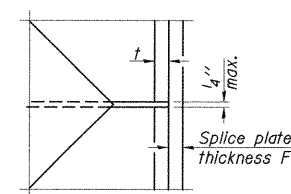
H-PILE SHOE ATTACHMENT



ISOMETRIC VIEW

WELDED COMMERCIAL SPLICE ALTERNATE

- * Interrupt welds 1/4" from end of web and/or each flange.
- ** Remove portions of backup plates that extend outside the flanges.
- *** Weld size per pile shoe manufacturer (5/16" min.).



DETAIL D

Designation	F	Ft	Fw	W	Wt	Ww
HP 14x117	12 1/2"	1"	7/8"	7 3/4"	5 1/8"	1 1/2"
x102	12 1/2"	7/8"	3/4"	7 3/4"	5 1/8"	1 1/2"
x89	12 1/2"	3/4"	1/16"	7 3/4"	5 1/8"	1 1/2"
x73	12 1/2"	5/8"	9/16"	7 3/4"	5 1/8"	1 1/2"
HP 12x84	10"	7/8"	1/16"	6 1/2"	5 1/8"	1 1/2"
x74	10"	7/8"	1/16"	6 1/2"	5 1/8"	1 1/2"
x63	10"	5/8"	1/2"	6 1/2"	1 1/2"	3/8"
x53	10"	5/8"	1/2"	6 1/2"	1 1/2"	3/8"
HP 10x57	8"	3/4"	9/16"	5 1/4"	1 1/2"	3/8"
x42	8"	5/8"	9/16"	5 1/4"	1 1/2"	3/8"
HP 8x36	7"	5/8"	7/16"	4 1/4"	1 1/2"	3/8"

Note:
The steel H-piles shall be according to AASHTO M270 Grade 50.

CMT
CRAWFORD MURPHY & TILLY, INC.
CONSULTING ENGINEERS
SPRINGFIELD, IL ■ AURORA, IL ■ ST. LOUIS, MO
ROCKFORD, IL ■ PEORIA, IL ■ CHICAGO, IL

F-HP

7-1-10

FILE NAME =	USER NAME =	DESIGNED - SF	REVISED -
I:\dot\0906603\draw\cadd\sheet\structure\plans\marathon dr bridge\marathon_final\checked\HP-PIL\WLB\TAILS.dgn		CHECKED - WLB	REVISED -
PLOT SCALE =		DRAWN - GLD	REVISED -
PLOT DATE =		CHECKED - SF	REVISED -

**STATE OF ILLINOIS
DEPARTMENT OF TRANSPORTATION**

**HP PILE DETAILS
STRUCTURE NO. 100-0095 (W.B.) & 100-0096 (E.B.)**

SHEET NO. 27 OF 32 SHEETS

F.A.P. RTE.	SECTION	COUNTY	TOTAL SHEETS	SHEET NO.
331 (IX-1) VB-1, B-1, N-4, R-3		WILLIAMSON	367	234
CONTRACT NO. 98859			ILLINOIS FED. AID PROJECT	