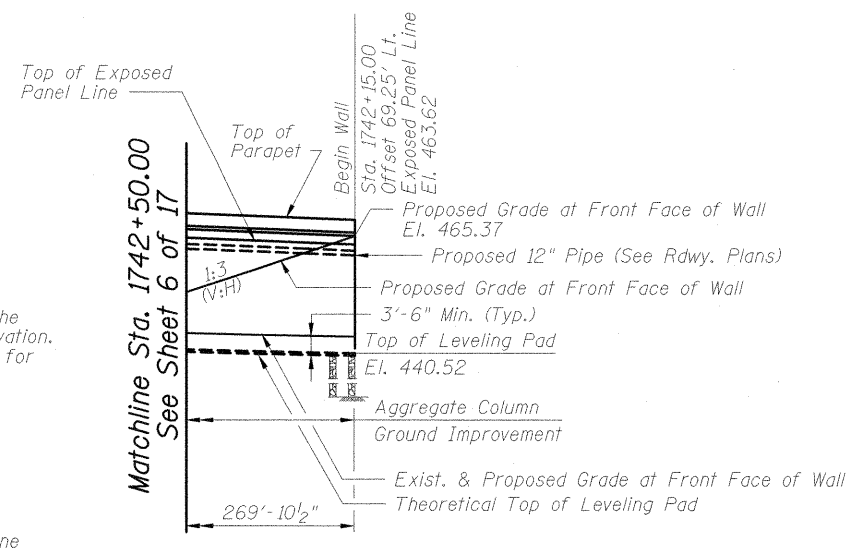


TYPICAL SECTION THRU WALL



NORTH WALL ELEVATION
(Looking South)

MSE WALL FINISH

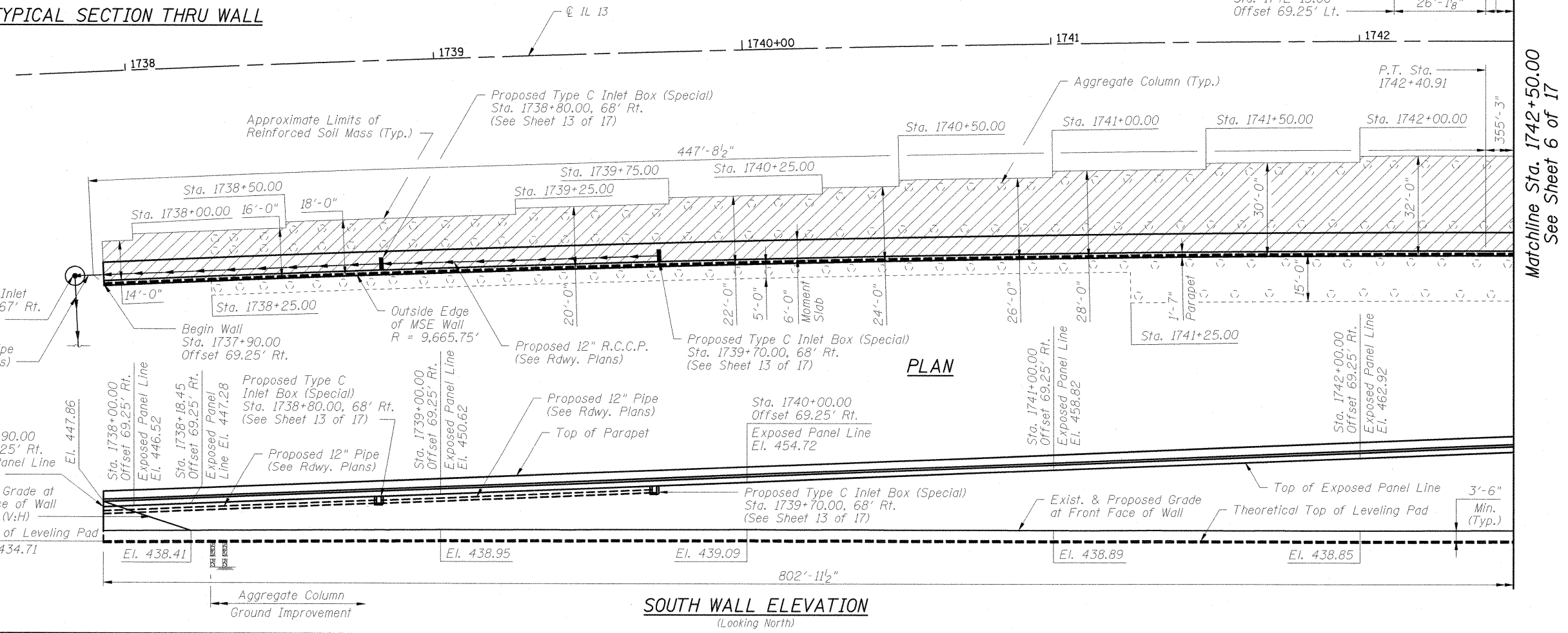
The wall panels shall be textured with an approved Ashlar Stone Form Liner with max. depth of relief of 1-1/2". Panel color shall be Federal Standard Color 10266 (Tan).
The following is a list of Ashlar Stone Form Liner Systems which may be used.

List of Approved Ashlar Stone Form Liner Systems
"Ashlar Stone" (Scott System, Inc.) Pattern No. 167
"Georgetown Ashlar Stone" (Fitzgerald Formliners) Pattern No. 16986
"Ashlar Stone" (Greenstreak) Pattern No. 330
"Southwest Ashlar Stone" (Dayton Superior/Symons) Pattern No. 1515

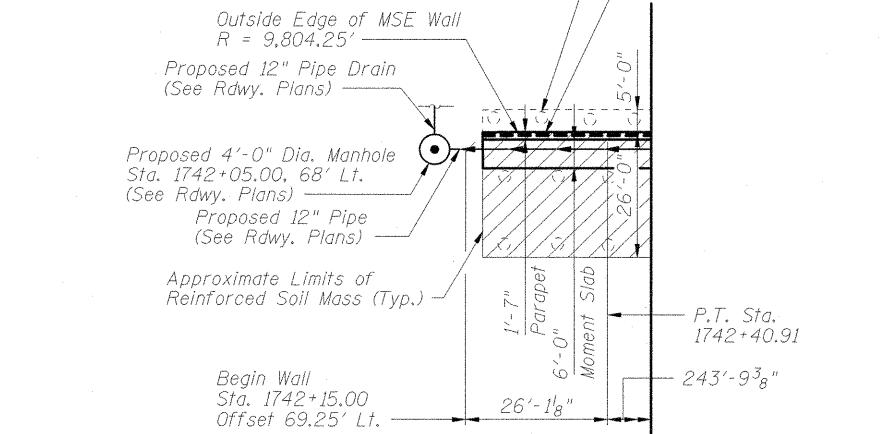
NOTES:
Wall offsets are measured from the C IL 13 to the front face of MSE panels.
Longitudinal dimensions are measured along the front face of MSE panels.

LEGEND

- Approximate Limits of Reinforced Soil Mass
- Aggregate Column Ground Improvement



SOUTH WALL ELEVATION
(Looking North)



CMT
CRAWFORD MURPHY & TILLY, INC.
CONSULTING ENGINEERS
SPRINGFIELD, IL ■ AURORA, IL ■ ST. LOUIS, MO
ROCKFORD, IL ■ PEORIA, IL ■ CHICAGO, IL

FILE NAME = L:\1007\0906603\Draw\CADD_Sheets\STRUCTURAL PLANS\MSE WALLS\100-W001\100W001-98859-005-Elevs.Sects.dgn
USER NAME = Gary Davis
DESIGNED - JMW
CHECKED - REB
DRAWN - AJK
PLOT SCALE = 20.0000' / IN.
PLOT DATE = 12/7/2011

DESIGNED - JMW	REVISED -
CHECKED - REB	REVISED -
DRAWN - AJK	REVISED -
CHECKED - REB	REVISED -

STATE OF ILLINOIS
DEPARTMENT OF TRANSPORTATION

WALL ELEVATIONS AND SECTIONS
STRUCTURE NO. 100-W001
SHEET NO. 5 OF 17 SHEETS

F.A.P. RTE.	SECTION	COUNTY	TOTAL SHEETS	SHEET NO.
331	(1X-1) VB-1, B-1, N-4, R-3	WILLIAMSON	367	244
				CONTRACT NO. 98859