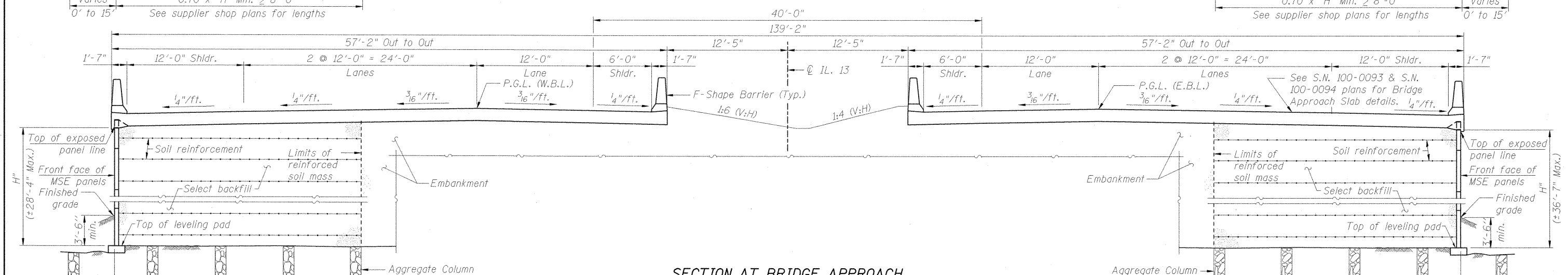
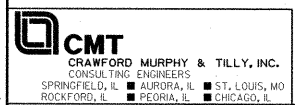


**SECTION AT ROADWAY**  
(Looking East)



**SECTION AT BRIDGE APPROACH**  
(Looking East)



FILE NAME = L:\1007\0906603\Draw\CADD\_Sheets\STRUCTURAL PLANS\MSE WALLS\100-W001\100W001-98859-007-Sections.dgn

USER NAME = Gary Davis	DESIGNED - JMW	REVISED -
PLOT SCALE = 1/8" = 1'-0"	CHECKED - REB	REVISED -
PLOT DATE = 12/7/2011	DRAWN - AJK	REVISED -
	CHECKED - REB	REVISED -

**STATE OF ILLINOIS**  
**DEPARTMENT OF TRANSPORTATION**

**BACK TO BACK WALL SECTIONS**  
**STRUCTURE NO. 100-W001**

SHEET NO. 7 OF 17 SHEETS

F.A.P. RTE.	SECTION	COUNTY	TOTAL SHEETS	SHEET NO.
331 (1X-1) VB-1, B-1, N-4, R-3		WILLIAMSON	367	246
			CONTRACT NO. 98859	
ILLINOIS FED. AID PROJECT				