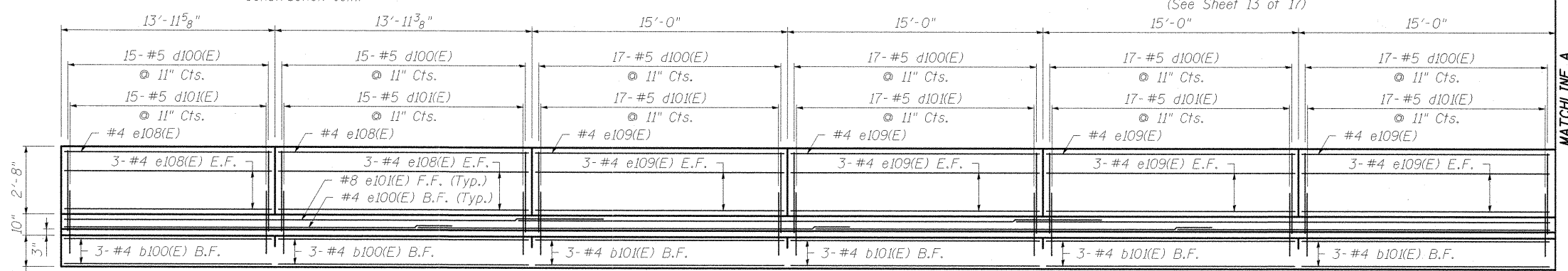


MOMENT SLAB PLAN - NORTH WALL

Proposed Type C Inlet Box (Special)
Sta. 1742+95.00, 68' Lt.
(See Sheet 13 of 17)



INSIDE NORTH PARAPET ELEVATION

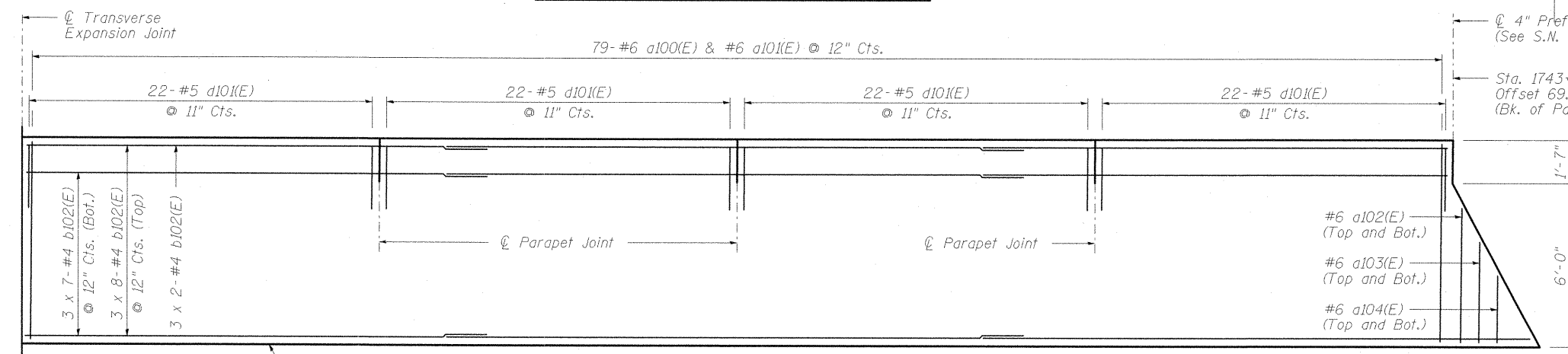
MINIMUM BAR LAPS

Bar	Lap
#4 (Moment Slab)	2'-3"
#4 (Parapet)	2'-0"
#8 (Parapet)	5'-2"

Reinforcement bars designated (E) shall be epoxy coated.

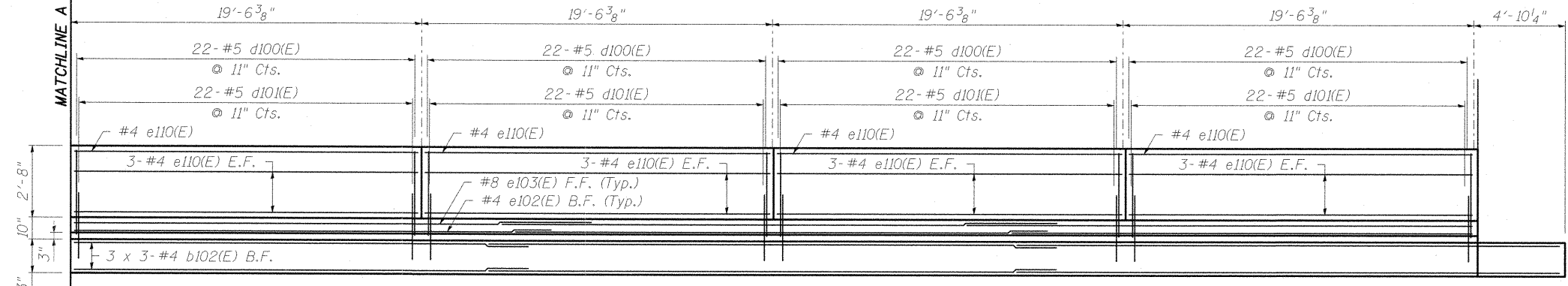
See sheet 8 of 17 for joint details.

Longitudinal dimensions are measured horizontally along the back of the parapet.

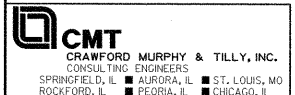


MOMENT SLAB PLAN - NORTH WALL

4" Preformed Joint Seal
(See S.N. 100-0093 for details)
Sta. 1743+80.87
Offset 69.58' Lt.
(Bk. of Parapet)



INSIDE NORTH PARAPET ELEVATION



FILE NAME = L:\1001\0906683\Draw\CADD_Sheets\STRUCTURAL PLANS\MSE WALLS\100-W001\100W001-98859-009-N.Parapet.Elev.dgn
USER NAME = Gary Davis
DESIGNED - JMW
CHECKED - REB
DRAWN - AJK
CHECKED - REB
REVISIONS -
REVISIONS -
REVISIONS -
REVISIONS -
PLOT SCALE = 1.0000' / IN.
PLOT DATE = 1/10/2012

**STATE OF ILLINOIS
DEPARTMENT OF TRANSPORTATION**

**JOINT AND REINFORCING DETAILS
STRUCTURE NO. 100-W001**

SHEET NO. 9 OF 17 SHEETS

F.A.P. RTE.	SECTION	COUNTY	TOTAL SHEETS	SHEET NO.
331	(1X-1) VB-1, B-1, N-4, R-3	WILLIAMSON	367	248
				CONTRACT NO. 98859
ILLINOIS FED. AID PROJECT				