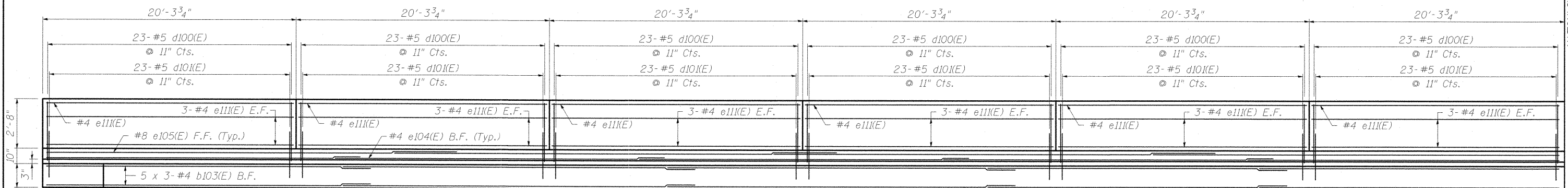
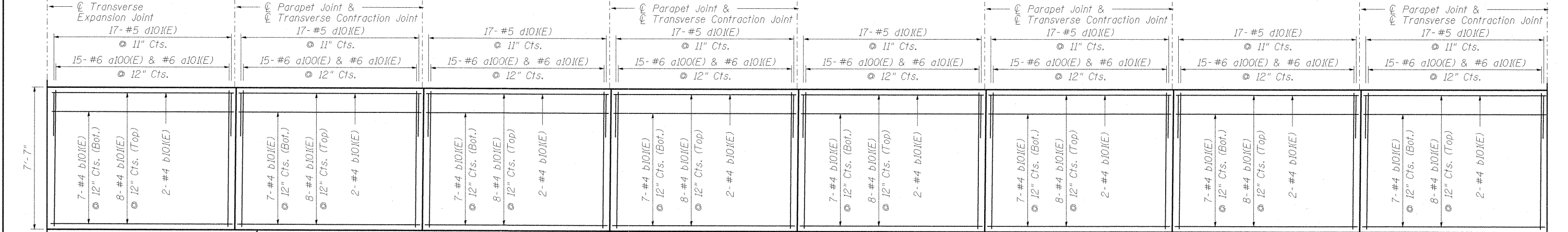


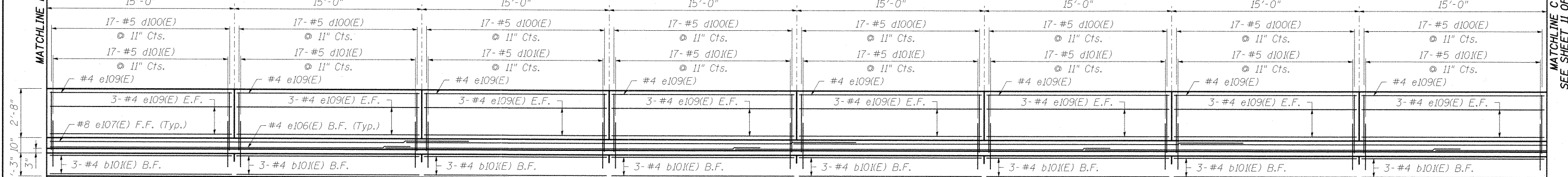
**MOMENT SLAB PLAN - SOUTH WALL**



**INSIDE SOUTH PARAPET ELEVATION**



**MOMENT SLAB PLAN - SOUTH WALL**



**INSIDE SOUTH PARAPET ELEVATION**

**CMT**  
CRAWFORD MURPHY & TILLY, INC.  
CONSULTING ENGINEERS  
SPRINGFIELD, IL ■ AURORA, IL ■ ST. LOUIS, MO  
ROCKFORD, IL ■ PEORIA, IL ■ CHICAGO, IL

FILE NAME = L:\1001\0986603\Draw\CADD\_Sheets\STRUCTURAL PLANS\MSE WALLS\100-W001\100W001-98859-010-S-Parapet.Elev.dgn  
USER NAME = Gary Davis  
DESIGNED - JMW  
CHECKED - REB  
DRAWN - AJK  
PLOT DATE = 1/10/2012

DESIGNED - JMW	REVISD -
CHECKED - REB	REVISD -
DRAWN - AJK	REVISD -
CHECKED - REB	REVISD -

**STATE OF ILLINOIS  
DEPARTMENT OF TRANSPORTATION**

**JOINT AND REINFORCING DETAILS  
STRUCTURE NO. 100-W001**

SHEET NO. 10 OF 17 SHEETS

\* See Sheet 9 of 17 for notes.

F.A.P. RTE.	SECTION	COUNTY	TOTAL SHEETS	SHEET NO.
331	(IX-1) VB-1, B-1, N-4, R-3	WILLIAMSON	367	249
CONTRACT NO. 98859			ILLINOIS FED. AID PROJECT	

MATCHLINE B

MATCHLINE C  
SEE SHEET 11 OF 17