

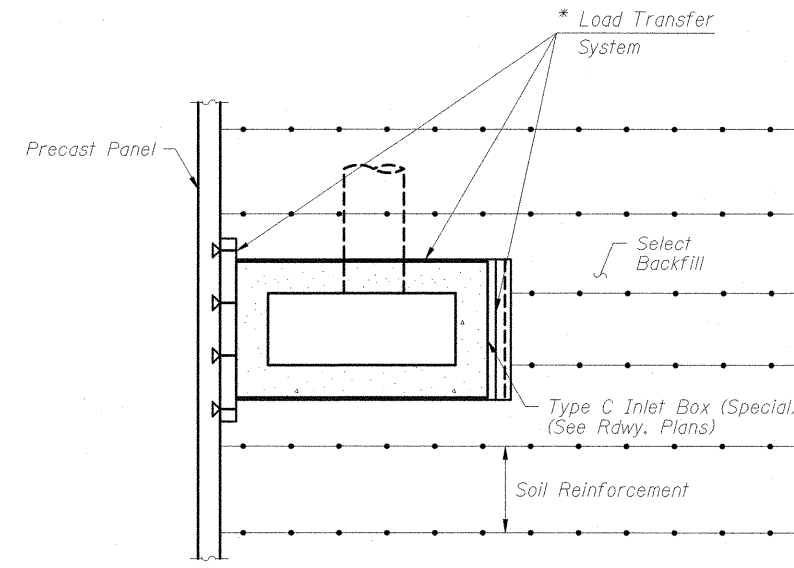
Reinforcing in moment slab, parapet and drainage structure not shown for clarity.

**LOAD TRANSFER SYSTEM
AROUND DRAINAGE DETAIL**

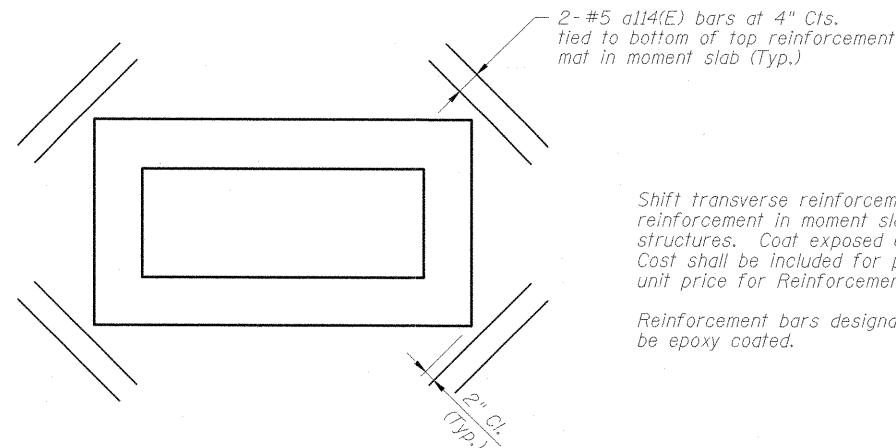
Sta. 1738+80.00 (South Wall)
Sta. 1739+70.00 (South Wall)
Sta. 1742+95.00 (North Wall)

Sta.	Location	A	B
1738+80.00	68' Rt.	447.53 (E) 447.43 (W)	446.93
1739+70.00	68' Rt.	451.12	450.62
1742+95.00	68' Lt.	464.34	463.84

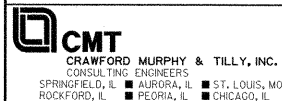
* M.S.E. supplier to design load transfer system to accommodate concrete pipe and inlet box.



SECTION A-A



REINFORCEMENT AROUND DRAINAGE STRUCTURE



FILE NAME = L:\IDOT\0906683\Draw\CADD_Sheets\STRUCTURAL PLANS\MSE WALLS\100-W001\100-W001-98859-013-Drainage.dgn

USER NAME = Gary Davis
PLOT SCALE = 1:0000 / IN.
PLOT DATE = 1/10/2012

DESIGNED - JMW
CHECKED - REB
DRAWN - AJK
CHECKED - REB

REVISED -
REVISED -
REVISED -
REVISED -

**STATE OF ILLINOIS
DEPARTMENT OF TRANSPORTATION**

**LOAD TRANSFER SYSTEM
STRUCTURE NO. 100-W001**

F.A.P. RTE.	SECTION	COUNTY	TOTAL SHEETS	SHEET NO.
331	(IX-1) VB-1, B-1, N-4, R-3	WILLIAMSON	367	252
				CONTRACT NO. 98859